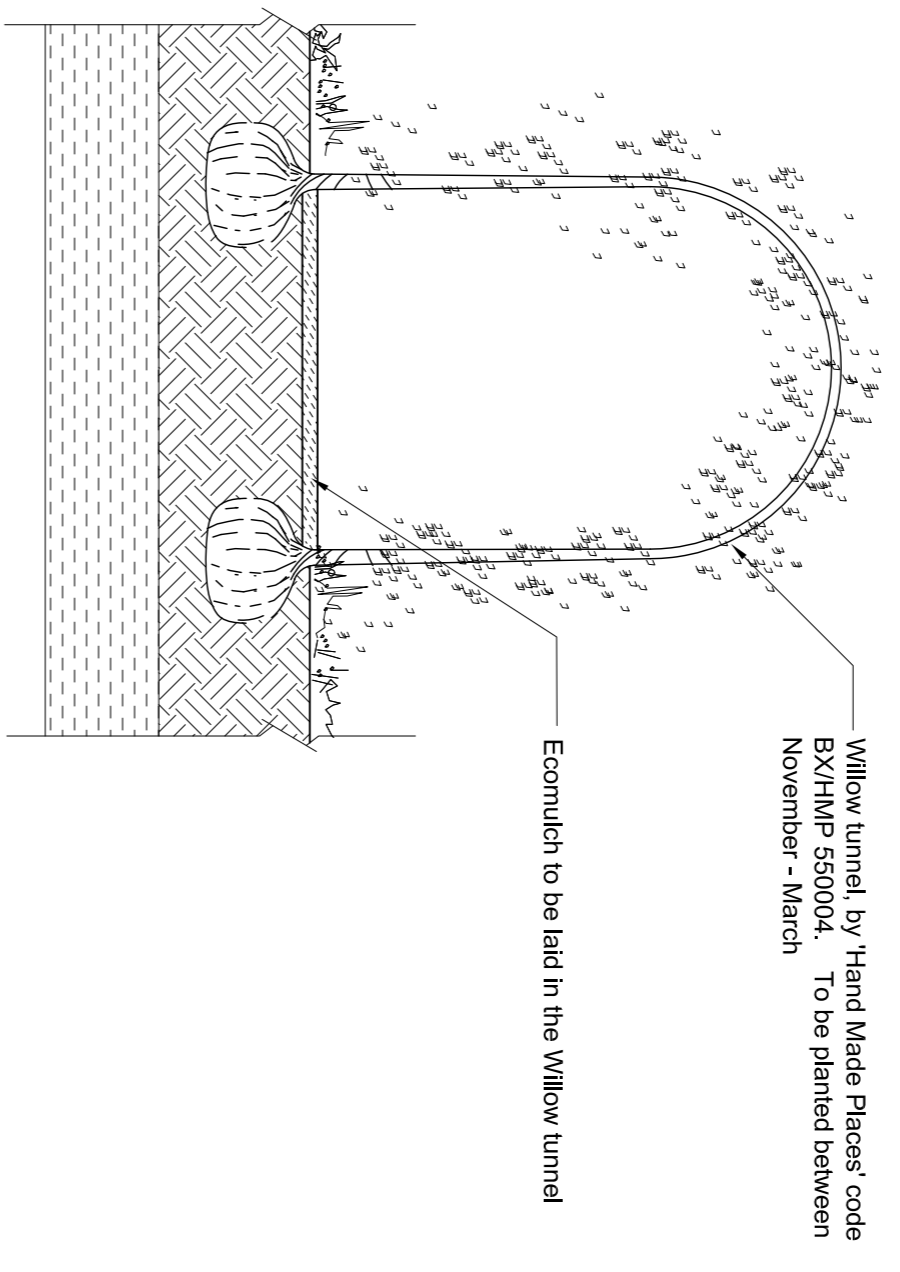
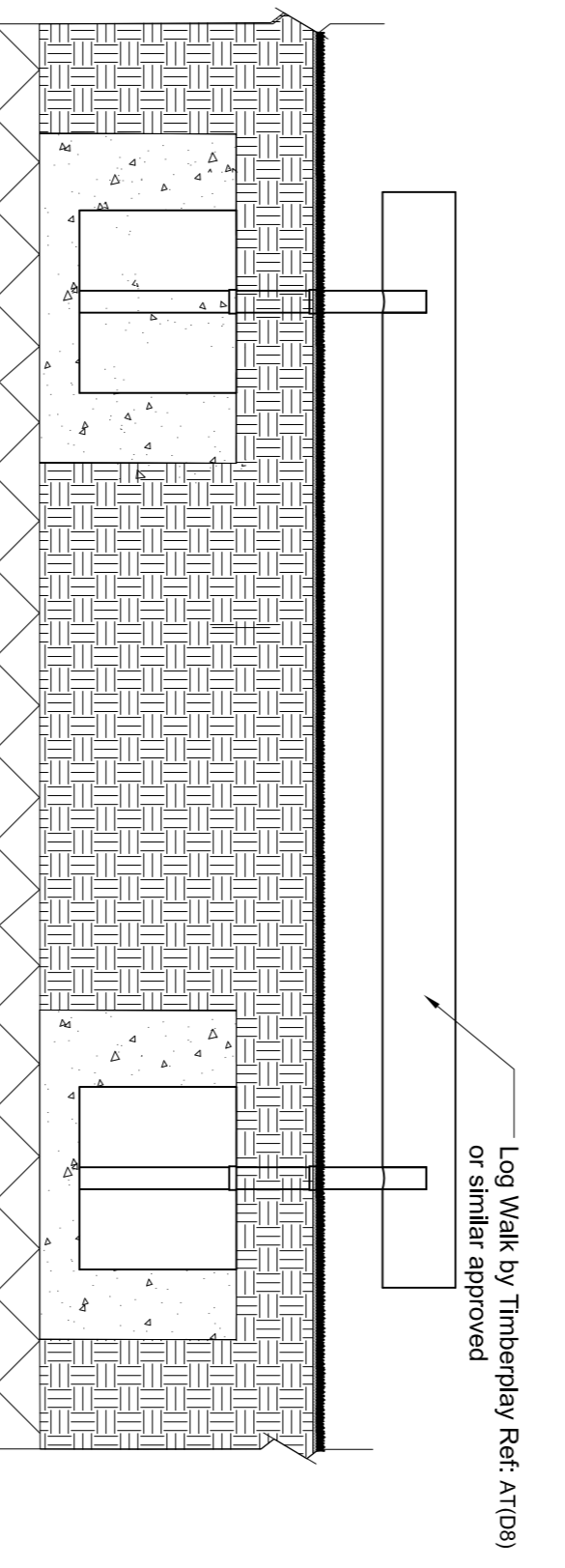


01 Stepping logs details
1:20

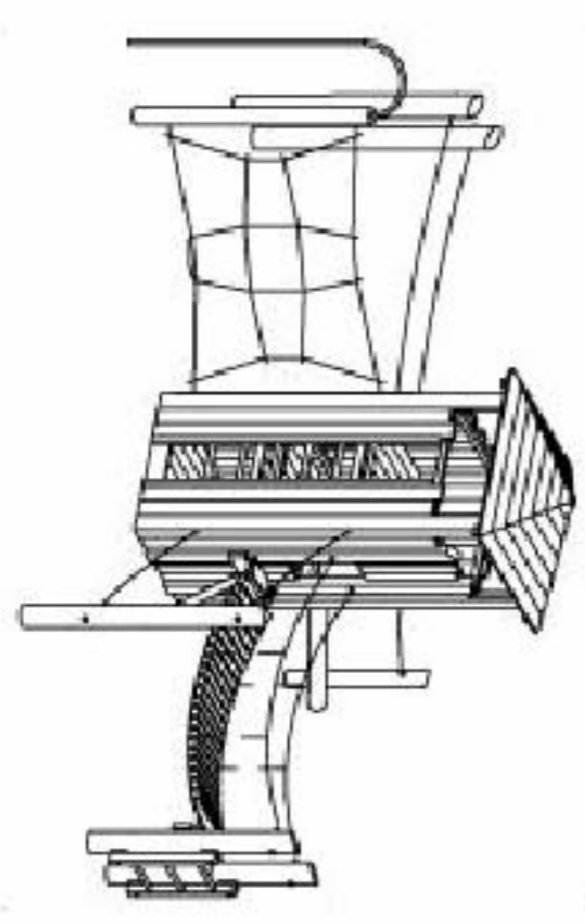


02 Willow tunnel section
1:20



03 Log Walk
1:20

2.33000 Tower Combination 33

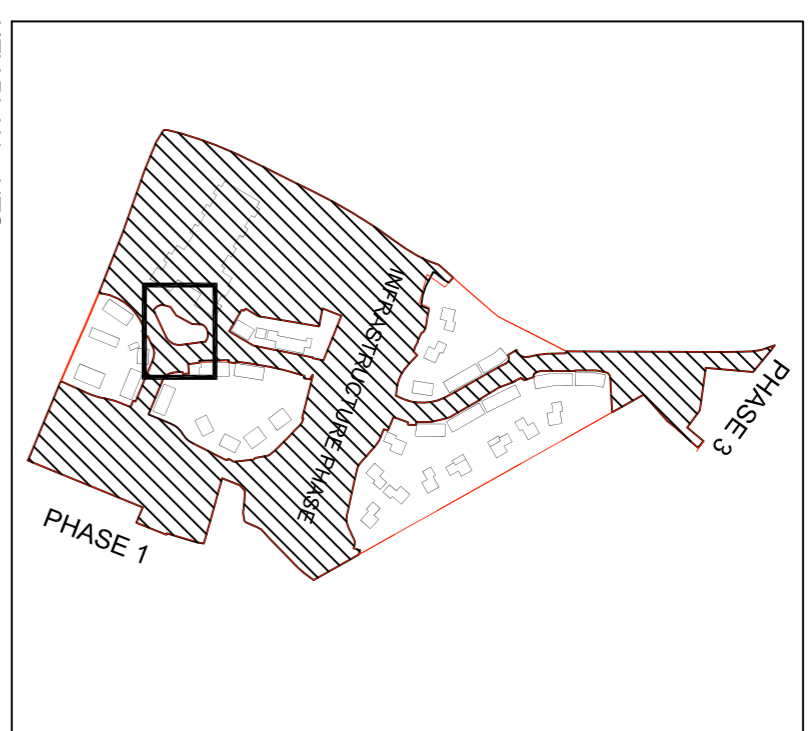


NOTES

- The contractor is responsible for checking dimensions, tolerances and references. Any discrepancy to be worked with the Architect before proceeding with the work.
- Where an item is covered by drawings to different scales the larger scale drawing is to be worked to.
- Do not scale drawing. Figure dimensions to be worked to in all cases.

CDM Regulations 2015

All current drawings and specifications for the project must be read in conjunction with the Designer's Hazard and Environmental Assessment Record.



- KEY**
- Boundary line
 - Area by others
- PAVING TYPES**
- P1 Permeable concrete block paving Marshalls Myriad Pivra 100x200x80mm, Colour - Morning Light, Pattern herringbone
 - P2 Permeable concrete block paving Marshalls Myriad Pivra 200x200x80mm, Colour - Midnight, Pattern Random course.
 - P3 Concrete flag paving Marshalls Renaissance 450x450x50mm - Colour Chalkstone (impermeable)
 - P4 Marshalls Perdis River buff slabs, in rear gardens 600x600mm (impermeable)
 - P5 Self binding gravel, amber gold colour
 - P6 Tarmac
 - P7 Resin bound gravel barley beach colour with conc kerb edging
 - P8 Wetpour safety surface colour dark blue, with lip rubber kerb to edge
- PLAY**
- Timber Play Tower Combination 33. Product ref: 2.33000. Includes: Vertical climbing net with firemen's pole Double hanging rope Inclined balancing beam Suspension bridge Balancing rope with holding rope
 - Timber stepping logs by Playfade or similar approved. Ref: Log walk Product code :AT(D8)
 - Bench, brozap Metway Seat BX14 4026
 - Willow tunnel, by Hand Made Places code BXJ/HMP 550004. To be planted between November - March
 - Eddle sensory planting

Order Number
2.33000

Designer
Richter Spielgeräte

Product-PDF
Not available.

Certificates
TUEV Zert. Req. 02.pdf (719.0 KB)

Maintenance Documents
W2_33000EN-EN.pdf (322.0 KB)

purpose of Issue		PLANNING	
project			
Bicester Eco Town Exemplar Site, Phase 2			
drawing			
Play area			
drawing no	AL4908-2107	rev	A
drawn	MQ	checked	AGF
scale @	A1 1:100	date	Feb 17

PPP Architects
100 Ludlow Street
London
E14 4NF
T +44 (0)20 7951 1200
F +44 (0)20 7951 1201
info@ppparchitects.co.uk