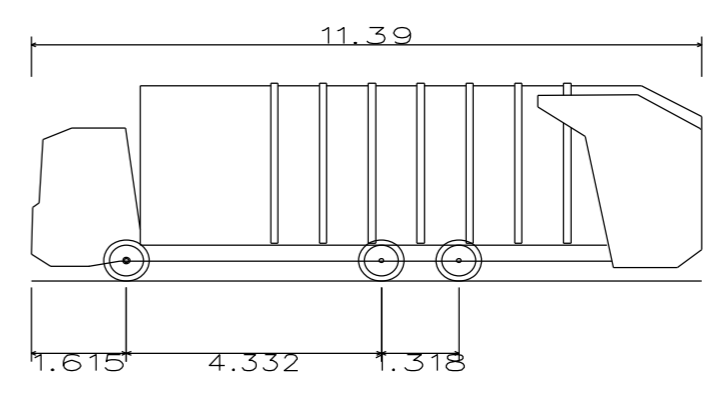
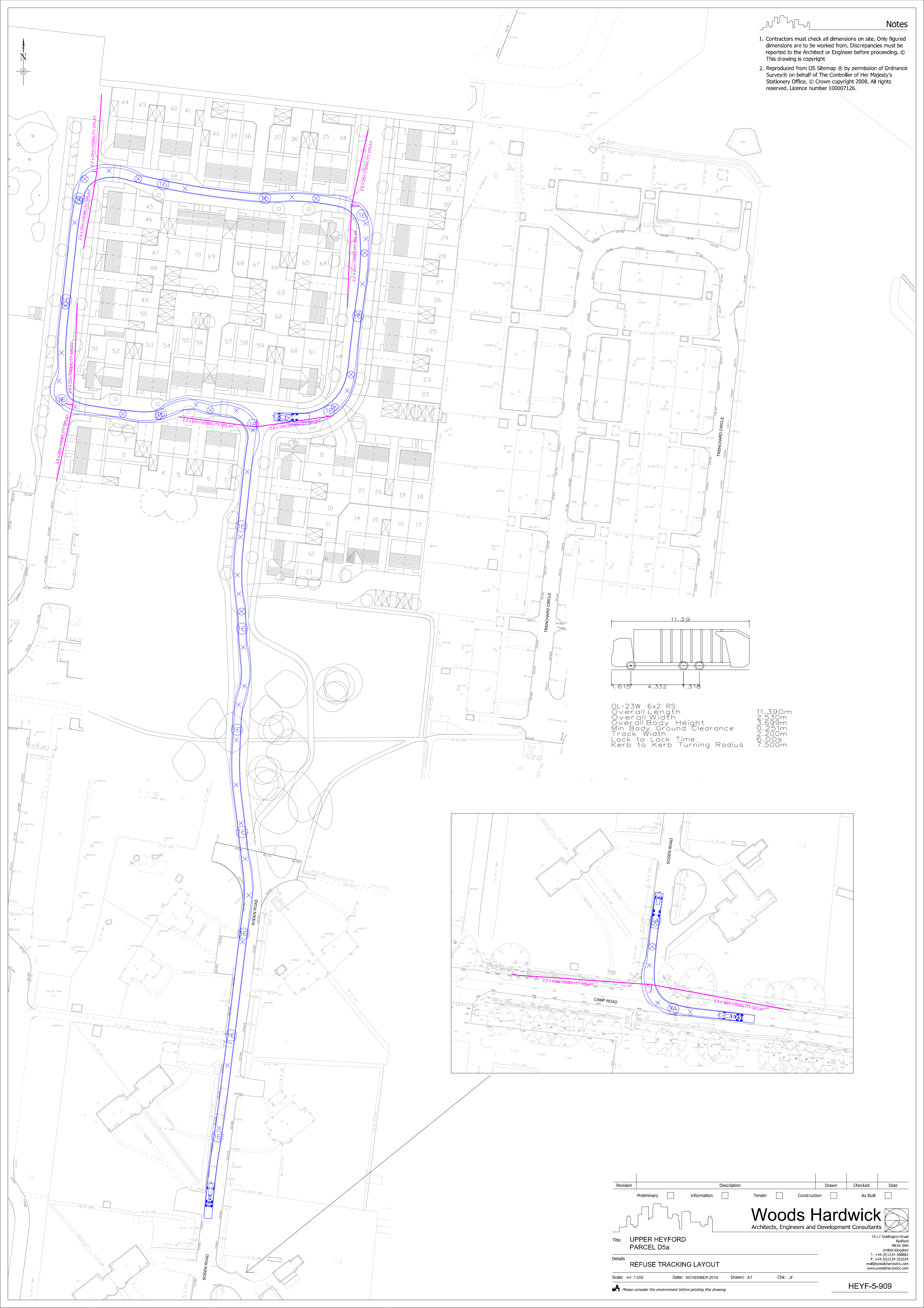
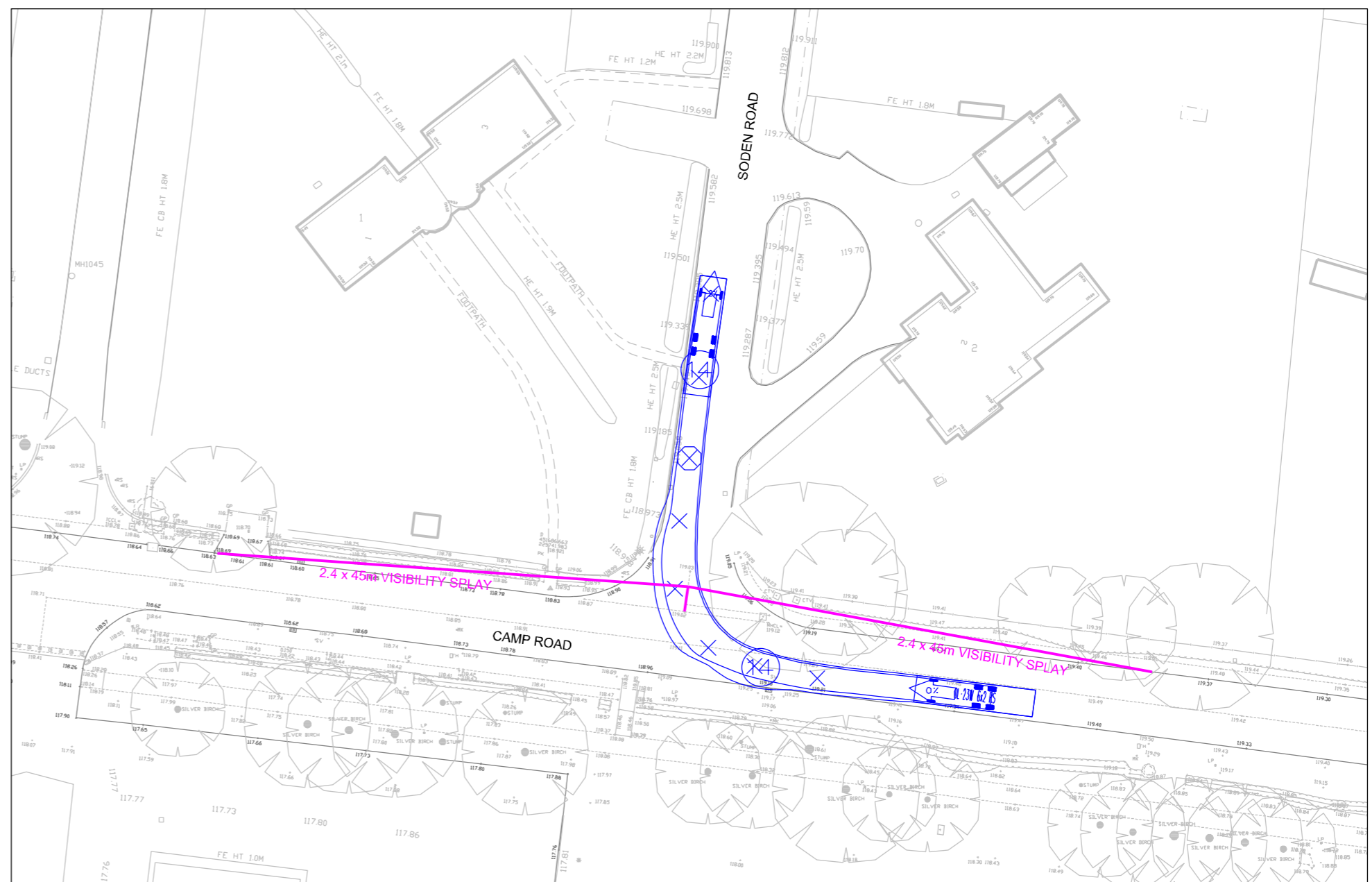


- Contractors must check all dimensions on site. Only figured dimensions are to be worked from. Discrepancies must be reported to the Architect or Engineer before proceeding. © This drawing is copyright
- Reproduced from OS Sitemap © by permission of Ordnance Survey® on behalf of The Controller of Her Majesty's Stationery Office. © Crown copyright 2008. All rights reserved. Licence number 100007126.



OL-23W 6x2 RS
 Overall Length 11.390m
 Overall Width 2.530m
 Overall Body Height 2.699m
 Min Body Ground Clearance 225mm
 Track Width 2.00m
 Lock to Lock Time 7.00s
 Kerb to Kerb Turning Radius 7.500m



Revision	Description	Drawn	Checked	Date
Preliminary	Information	Tender	Construction	As Built

Woods Hardwick
 Architects, Engineers and Development Consultants

Title: UPPER HEYFORD PARCEL D5a
 Details: REFUSE TRACKING LAYOUT
 Scale: A1-1:500 Date: NOVEMBER 2014 Drawn: AT Chk: JF