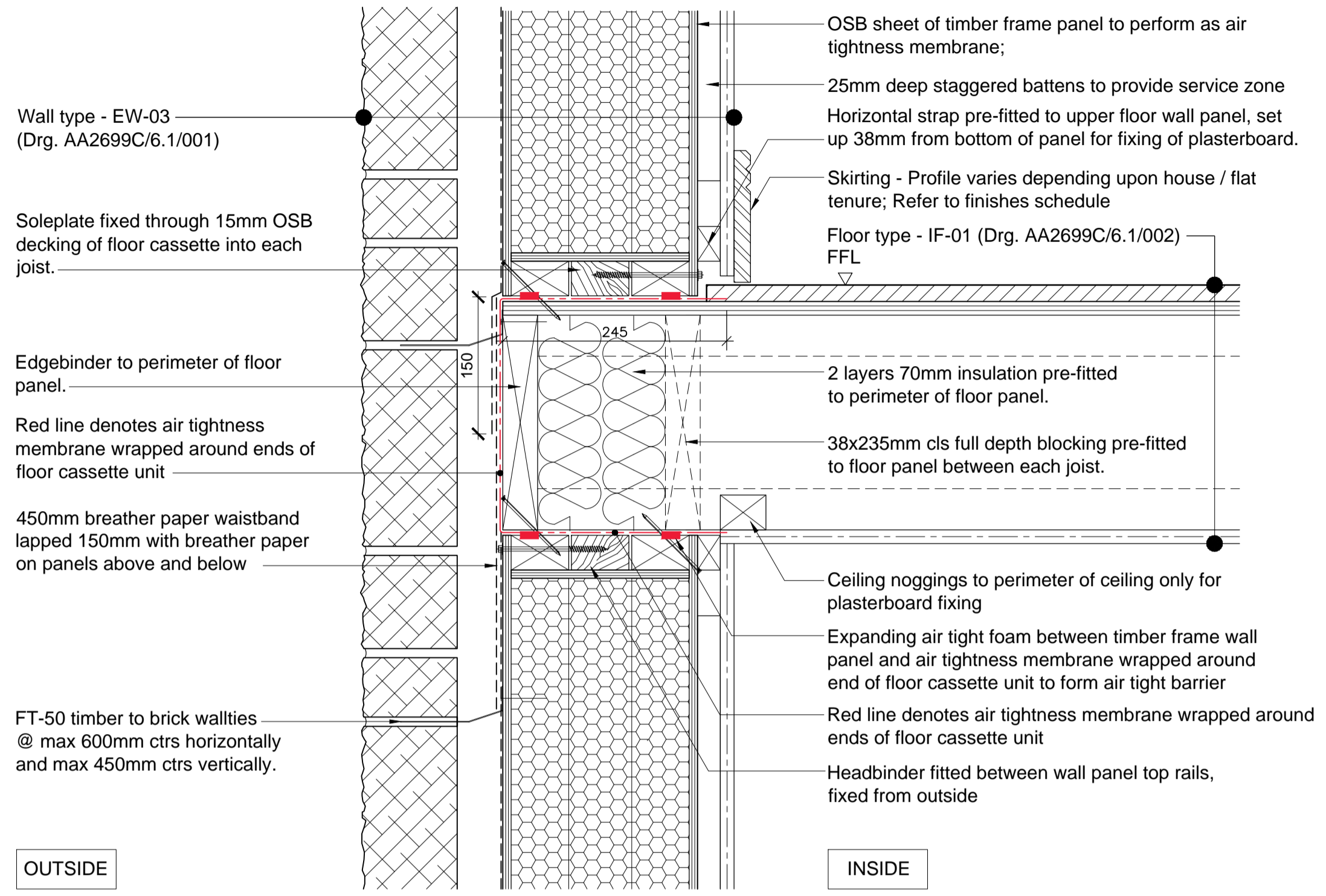
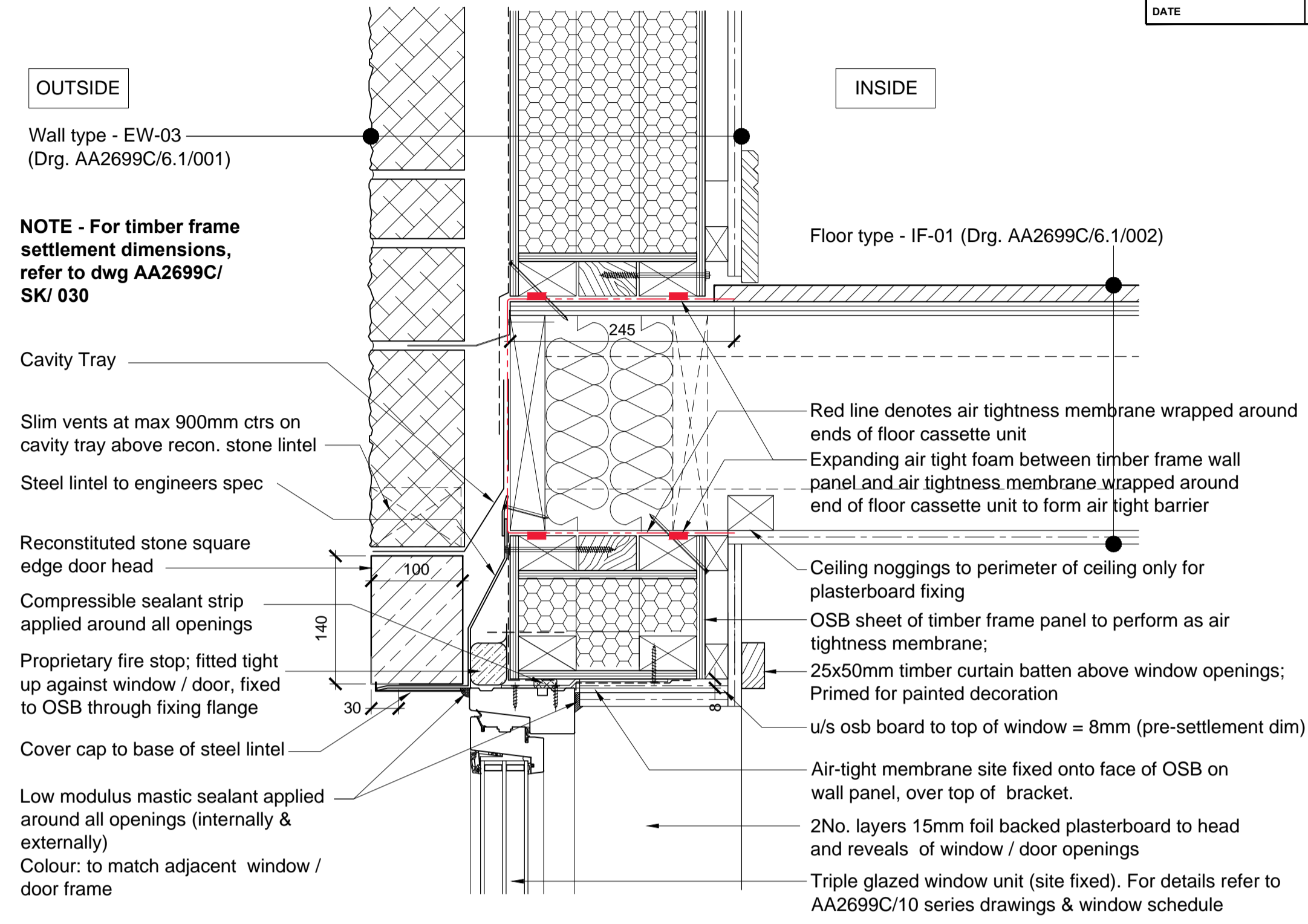


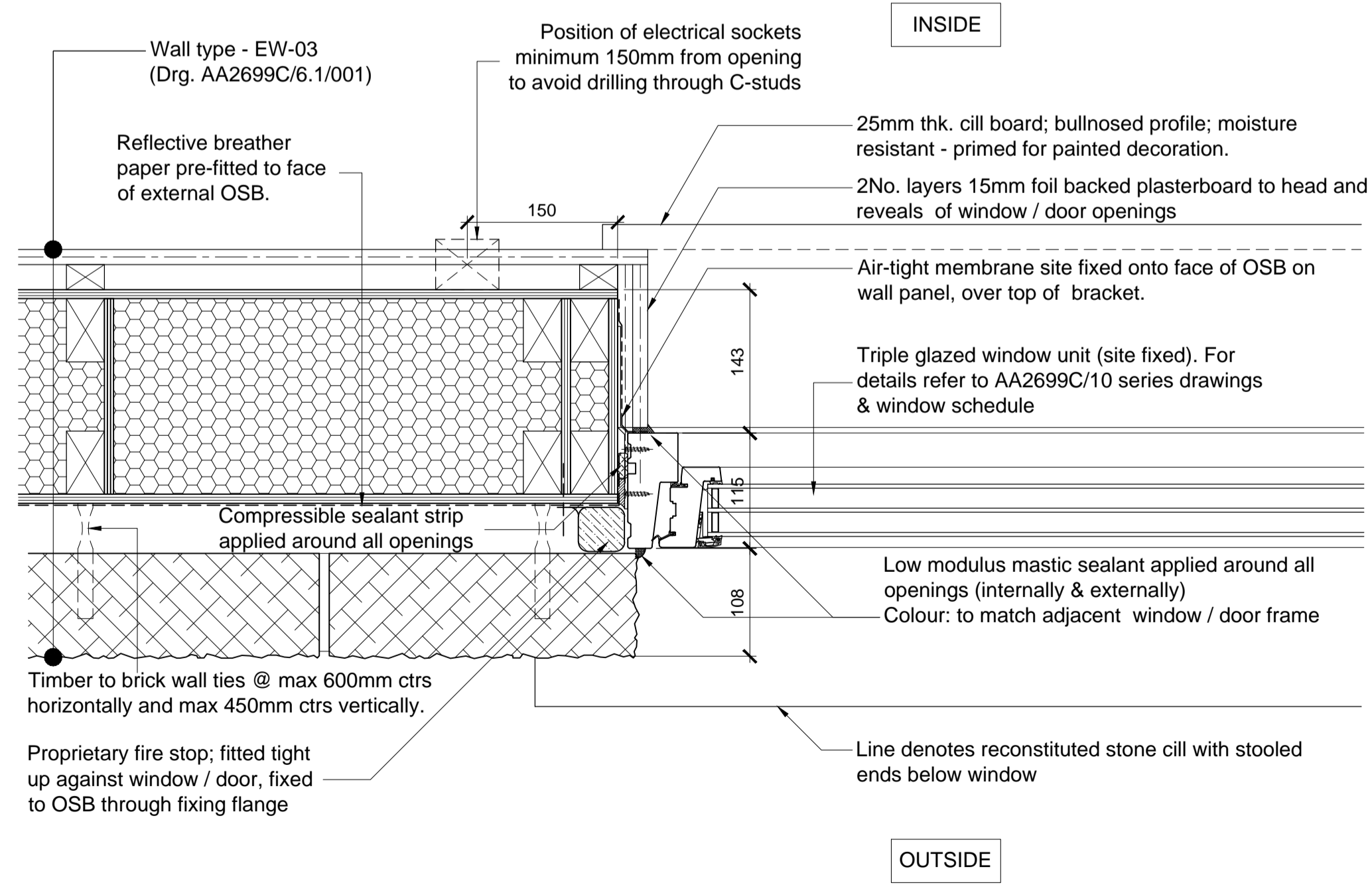
KEY ELEVATION TYPE - 1



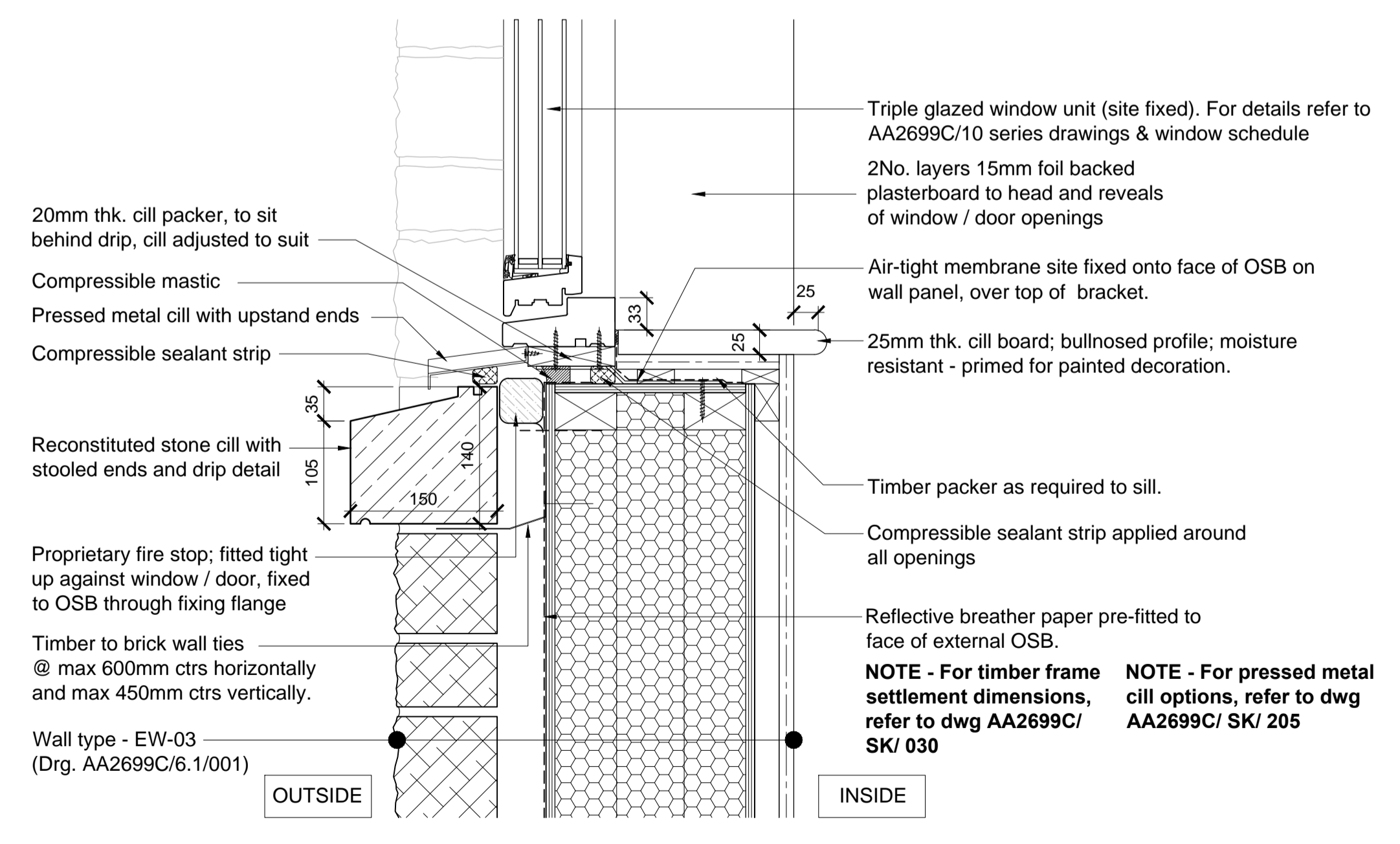
02 1st Floor Section Detail Type 1 - Bekstone / Render



03 Ground Floor Window Head Detail Type 1 - Bekstone / Render



01 Ground Floor Window Jamb Detail Type 1 - Bekstone / Render



04 Ground Floor Window Cill Detail Type 1 - Bekstone / Render

22-12-2014 B Amended to WDH comments; cl/ rs
 15-01-2014 A Details updated; JW/MDB
 09-12-2013 - First issue; JW/MDB

date	rev	revision/author/checker
------	-----	-------------------------

purpose of issue	CONSTRUCTION
project	BICESTER ECO TOWN EXEMPLAR SITE
drawing	DETAILS TYPE 1 DWELLINGS [Bekstone / Render] Sheet 4

drawing no	AA2699C 6.1 033	rev	B
drawn	TL	checked	MDB
scale @ A1	1:5	date	Nov 2013