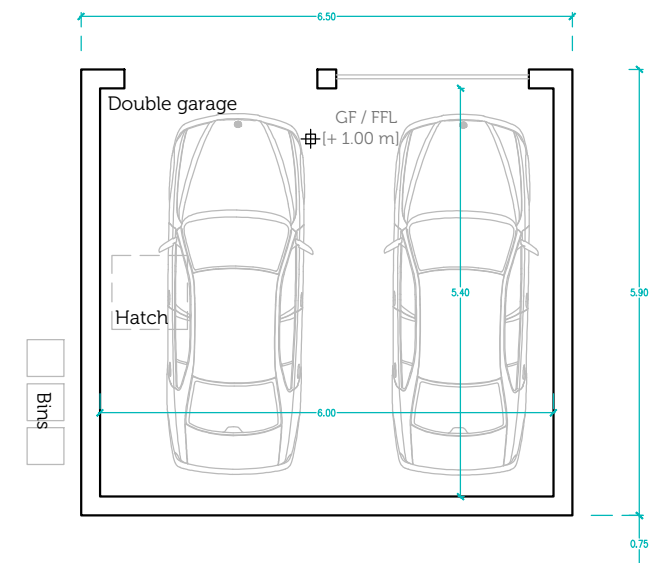


First floor



North
Ground floor
45.5 m²

Client: Roussel	Drawing title: Garage	Paper size: A3
Project: EQ 0317	Drw. N°: 04	Scale: 1/100
Revision: Planning	Date: 16/08/2016	

EcoHaus Turnkey Ltd

EcoHaus, Chapel Villa Farm, Mingoose
St Agnes, Cornwall, TR4 8BX
(+44) 01872 555768
office@ecohaus.org.uk

