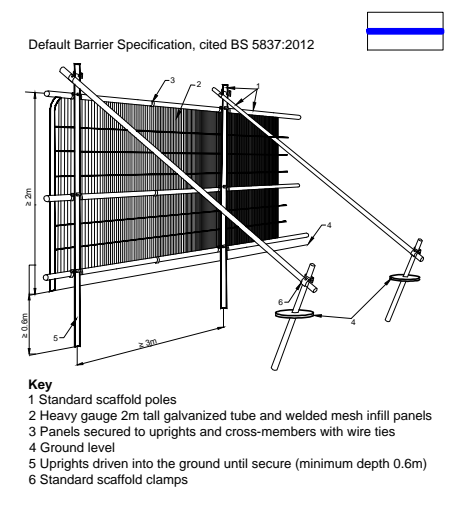


- KEY:**
- Tree Numbers
  - Tree Canopies
  - Category 'U' Trees
  - Category 'A' RPA
  - Category 'B' RPA
  - Category 'C' RPA
  - Trees to be Removed
  - Tree Protection Barrier
  - Tree Protection Barrier (2nd Position)
  - Pile and Beam Foundation
  - Above Soil Surfacing



REV	DATE	NOTE	Drawn	Chk'd
REVISIONS				



TITLE  
**Longford Park - Employment Land  
 Tree Protection Plan**

CLIENT  
**Barratt Homes**

SCALE 1:500 @ A3	DATE DEC 2015	DRAWN GW
DRAWING NUMBER 8667 TPP 11 (Employment Land)		REVISION

Based on proposed layout ref: Longford 600f 601g Employment Land.dwg