

TYPICAL MANHOLE DETAIL TYPE A
DEPTH FROM C.L. TO SOFFIT 3.0m TO 6.0m
NTS

MANHOLE CHAMBER SIZES	
DIA. LARGEST PIPE IN MANHOLE.	CHAMBER SECTION DIA. REQUIRED.
< 375	1200
375-700	1500
750-900	1800

THE SIZES STATED ARE THE MINIMUM ACCEPTABLE, WHERE TWO OR MORE PIPES ENTER THE MANHOLE THE CHAMBER SIZE MUST BE SUFFICIENT TO ACCOMMODATE THE REQUIRED BENCHING SHOWN.

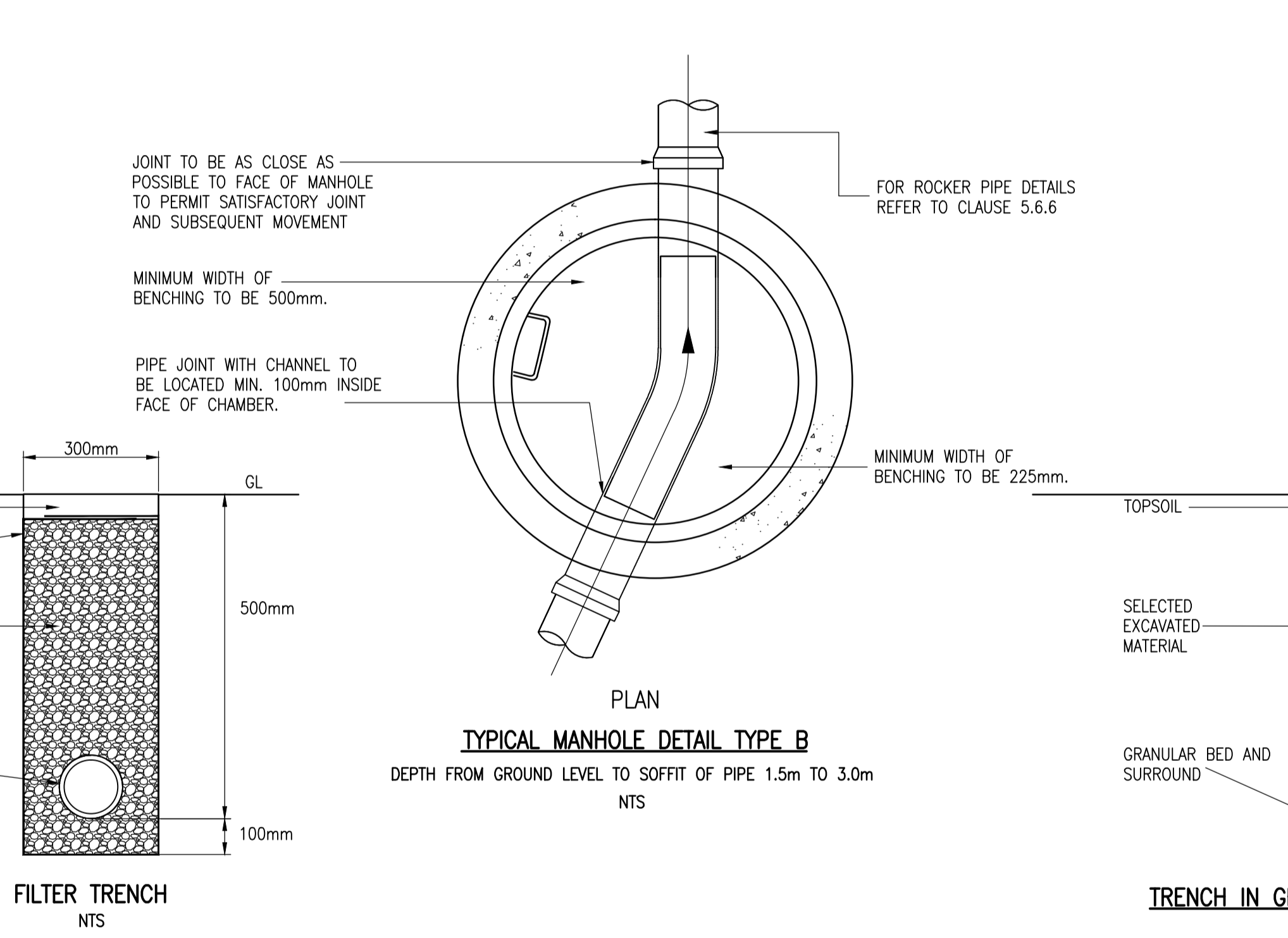
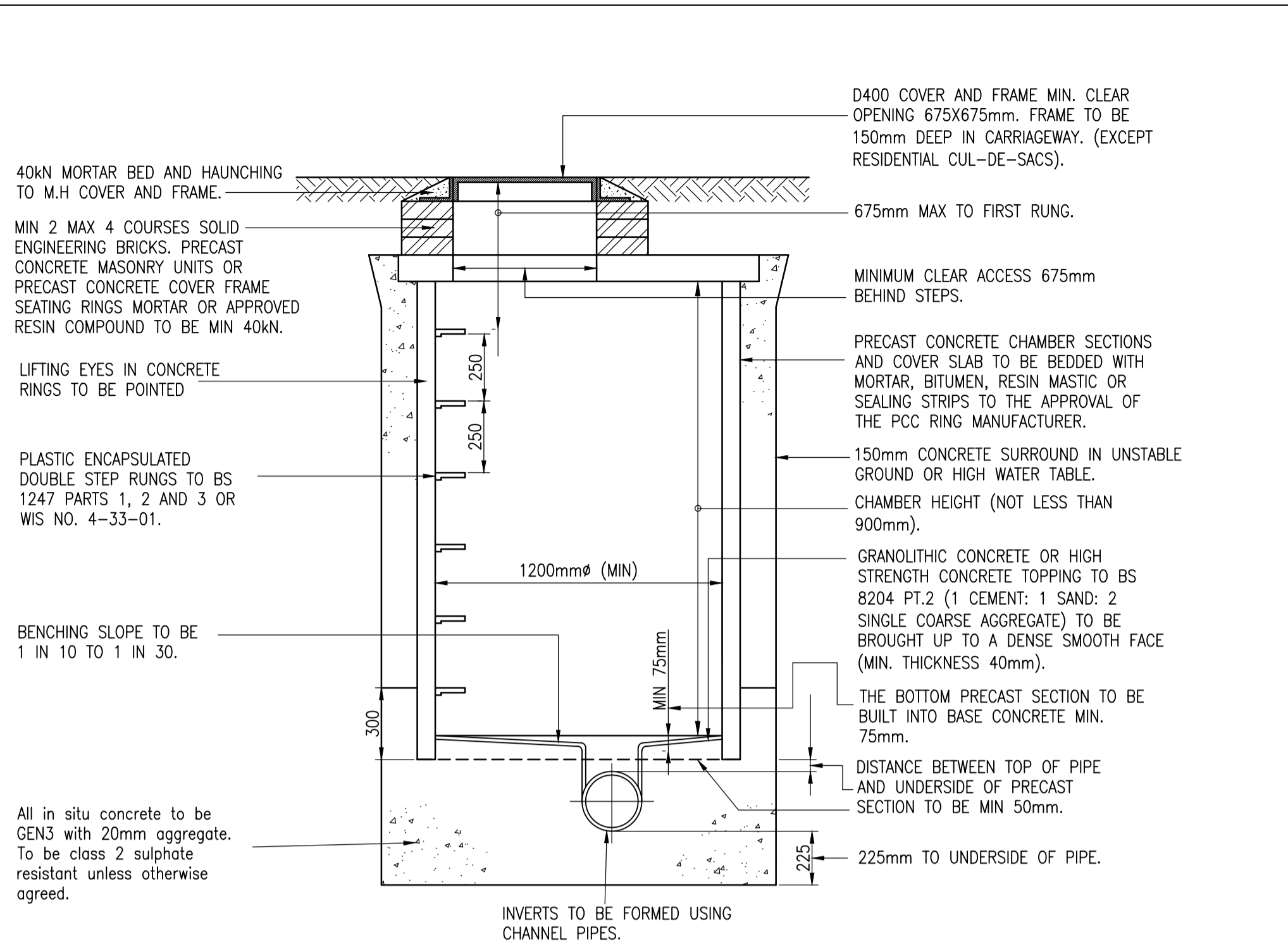
NOTES.
ALL PIPES BUILT INTO MANHOLE INVERT SHALL BE INSTALLED WITH SOFFITS LEVEL. DETAILS TAKEN FROM SEWERS FOR ADOPTION 6TH EDITION.

DIMENSION A
IN MACHINE DUG UNIFORM SOILS
SLEEVE JOINTED PIPES, MIN 50MM. SOCKETTED PIPES 100mm OR 1/6 BC, WHICHEVER IS THE GREATER UNDER BARRELS BUT NOT LESS THAN 50mm UNDER SOCKETS.
IN ROCK OR MIXED SOILS
SLEEVE JOINTED PIPES, MIN 150mm, SOCKETTED PIPES, MIN 200mm OR 1/4 BC WHICHEVER IS THE GREATER UNDER BARRELS AND 150mm MIN UNDER SOCKETS.

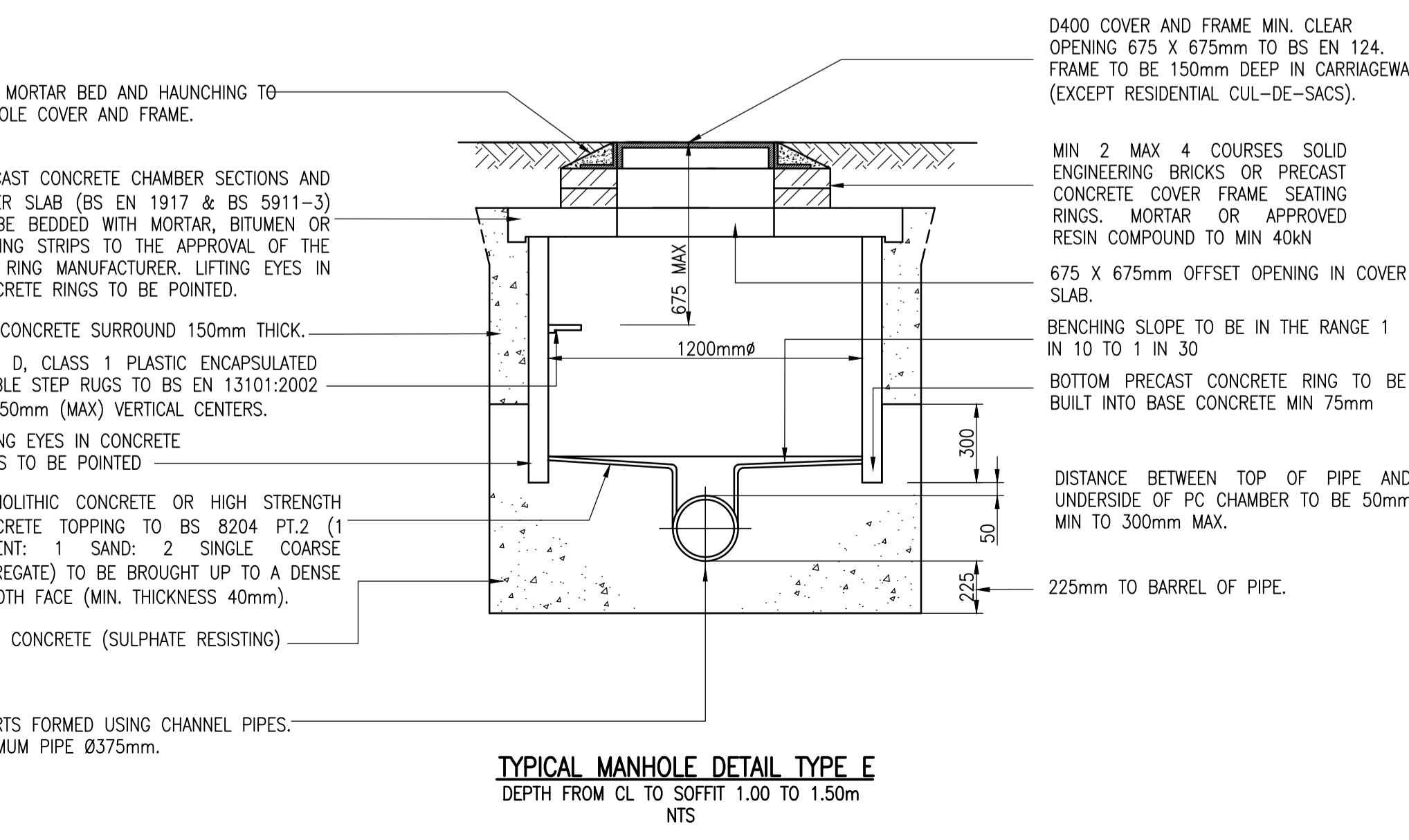
WITH CONCRETE BEDDING
100mm MINIMUM FOR ALL TYPES OF PIPE.

CLASS A1, A2, A3
PRECAST CONCRETE SETTING BLOCKS AS 'SEWERS FOR ADOPTION' CLAUSE 5.2.26 TO BE USED FOR PIPE SUPPORT.

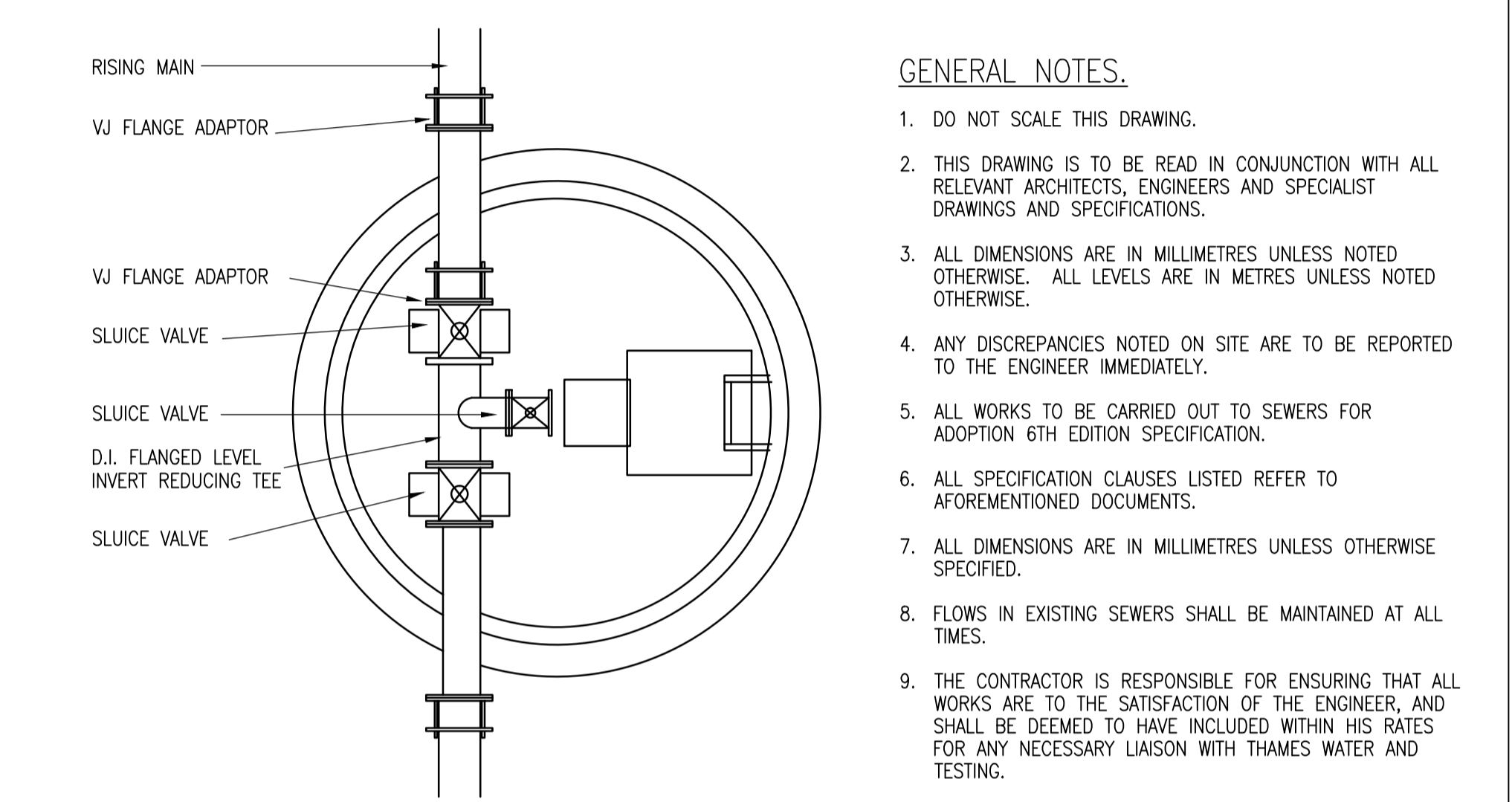
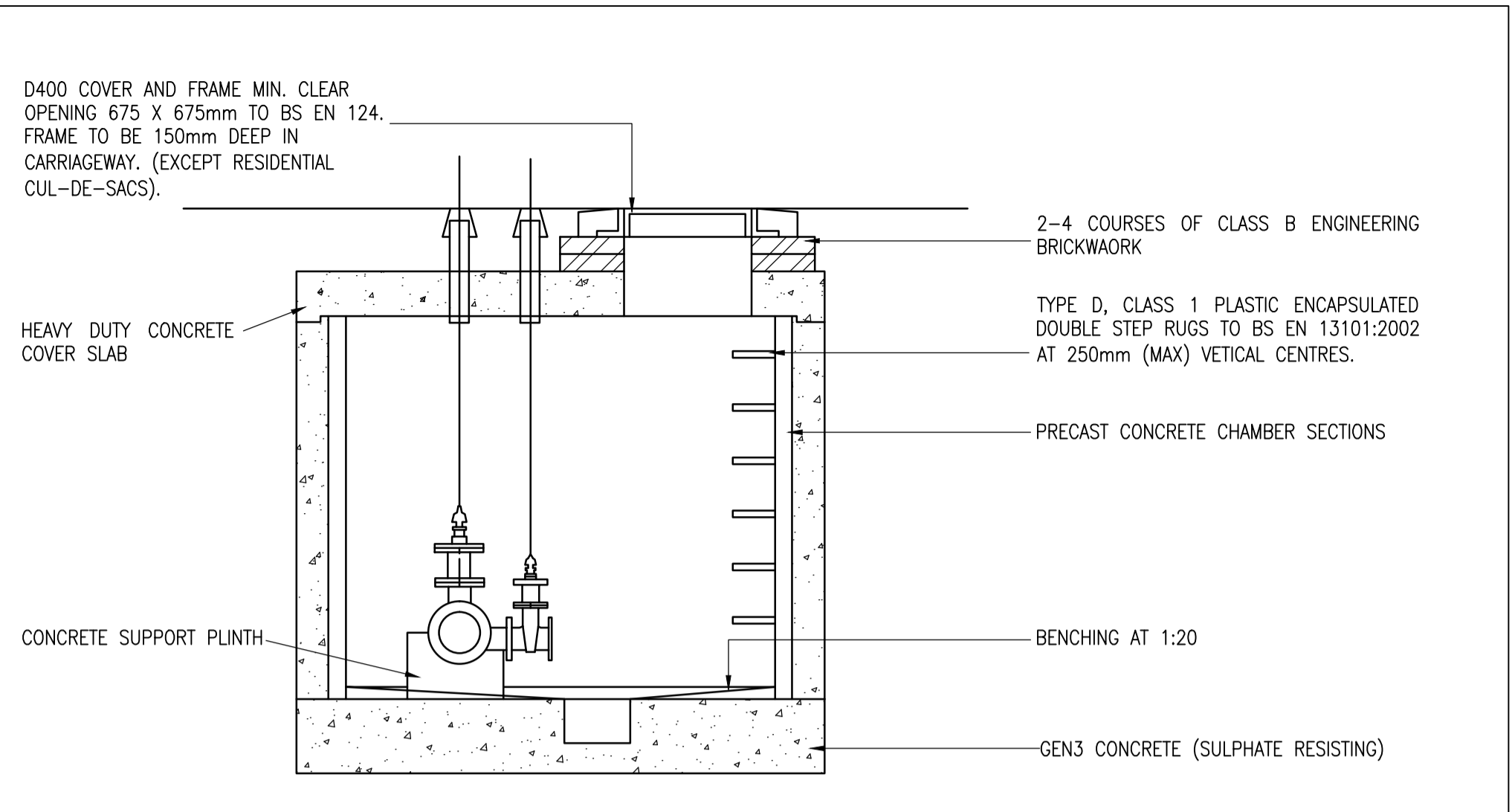
INT. PIPE DIA. (mm)	EXT. PIPE OVER BARREL (BC)	AGG. SIZE FOR TYPE 'A' BEDDING MATERIAL (mm)
150	203	10 or 14
225	286	10,14 or 20
300	375	
375	540	14 or 20
450	622	
525	705	14,20 or 40
600	787	
675	870	
750	952	
825	1035	
900	1194	
1050	1372	
1200	1448	
1275	1549	1969
1350	1638	
1425	1715	
1500	1803	
1575	1880	
1650	1969	
1725	2057	
1800	2134	2210
1875	2210	
1950	2210	



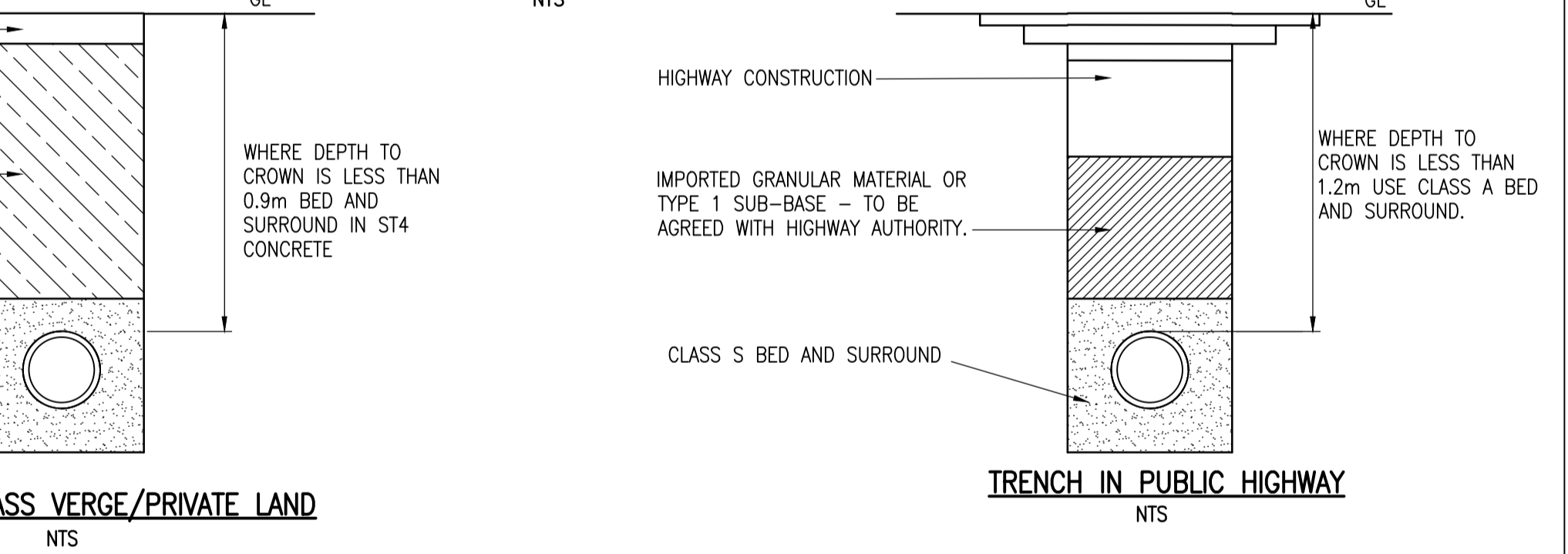
TYPICAL MANHOLE DETAIL TYPE B
DEPTH FROM GROUND LEVEL TO SOFFIT OF PIPE 1.5m TO 3.0m
NTS



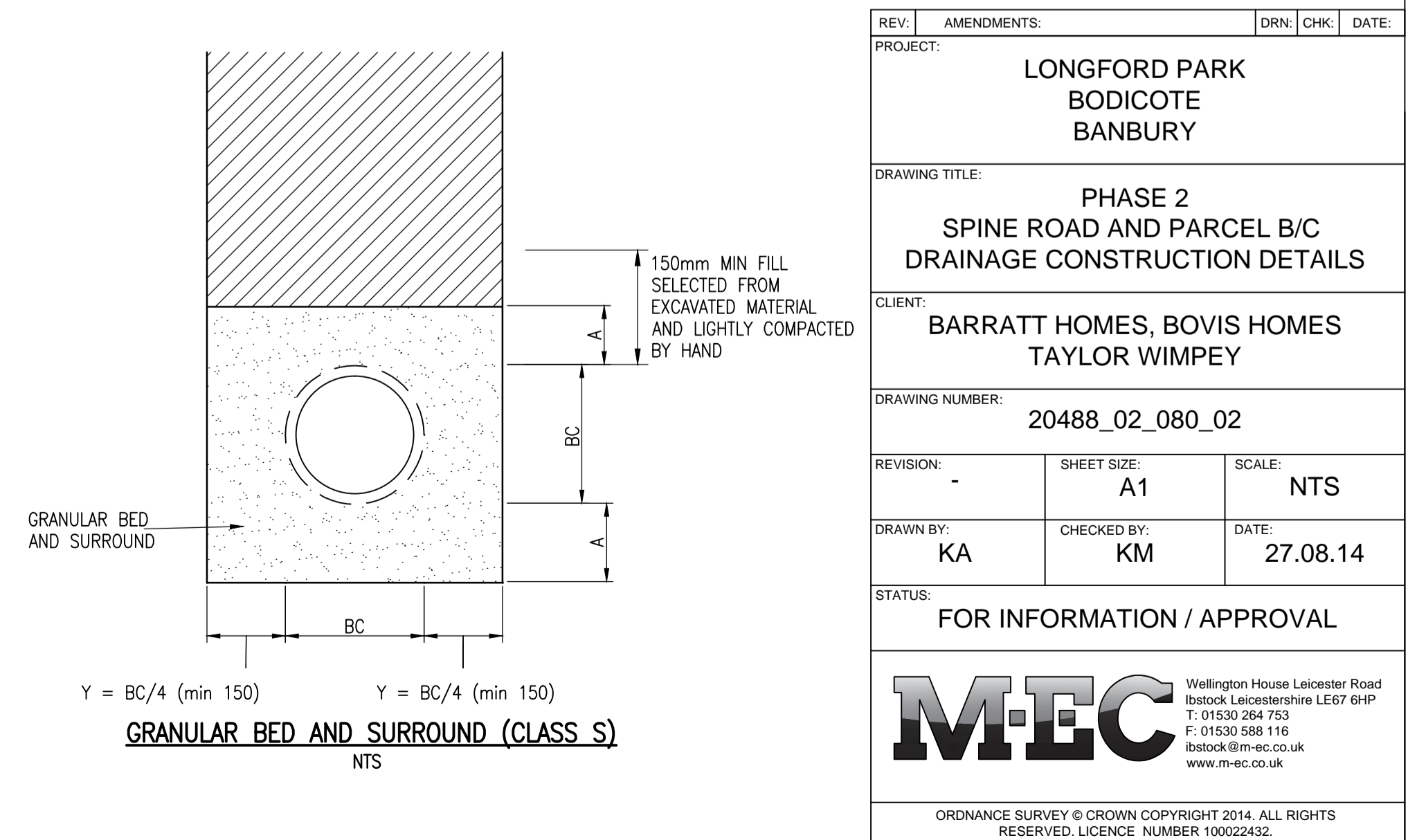
TYPICAL MANHOLE DETAIL TYPE E
DEPTH FROM CL TO SOFFIT 1.00 TO 1.50m
NTS



TYPICAL RISING MAIN WASHOUT CHAMBER
NTS



TRENCH IN GRASS VERGE/Private LAND
NTS



GRANULAR BED AND SURROUND (CLASS S)
NTS

- GENERAL NOTES.**
- DO NOT SCALE THIS DRAWING.
 - THIS DRAWING IS TO BE READ IN CONJUNCTION WITH ALL RELEVANT ARCHITECTS, ENGINEERS AND SPECIALIST DRAWINGS AND SPECIFICATIONS.
 - ALL DIMENSIONS ARE IN MILLIMETRES UNLESS NOTED OTHERWISE. ALL LEVELS ARE IN METRES UNLESS NOTED OTHERWISE.
 - ANY DISCREPANCIES NOTED ON SITE ARE TO BE REPORTED TO THE ENGINEER IMMEDIATELY.
 - ALL WORKS TO BE CARRIED OUT TO SEWERS FOR ADOPTION 6TH EDITION SPECIFICATION.
 - ALL SPECIFICATION CLAUSES LISTED REFER TO AFOREMENTIONED DOCUMENTS.
 - ALL DIMENSIONS ARE IN MILLIMETRES UNLESS OTHERWISE SPECIFIED.
 - FLOWS IN EXISTING SEWERS SHALL BE MAINTAINED AT ALL TIMES.
 - THE CONTRACTOR IS RESPONSIBLE FOR ENSURING THAT ALL WORKS ARE TO THE SATISFACTION OF THE ENGINEER, AND SHALL BE DEEMED TO HAVE INCLUDED WITHIN HIS RATES FOR ANY NECESSARY LIAISON WITH THAMES WATER AND TESTING.

REV:	AMENDMENTS:	DRN	CHK:	DATE:
PROJECT: LONGFORD PARK BODCOTE BANBURY				
DRAWING TITLE: PHASE 2 SPINE ROAD AND PARCEL B/C DRAINAGE CONSTRUCTION DETAILS				
CLIENT: BARRATT HOMES, BOVIS HOMES TAYLOR WIMPEY				
DRAWING NUMBER: 20488_02_080_02				
REVISION:	SHEET SIZE:	SCALE:		
-	A1	NTS		
DRAWN BY:	CHECKED BY:	DATE:		
KA	KM	27.08.14		
STATUS: FOR INFORMATION / APPROVAL				
<small>Wellington House Leicester Road Bostock Leicestershire LE67 6HP T: 01530 264 753 F: 01530 588 116 bostock@m-ec.co.uk www.m-ec.co.uk</small>				
<small>ORDNANCE SURVEY © CROWN COPYRIGHT 2014. ALL RIGHTS RESERVED. LICENCE NUMBER 100022432.</small>				

File Location: \\M-EC Job Books\20488\Drawings\m-ec\parcel b & c\02 sewers infrastructure\080 series\20488_02_080_02 phase2 drainage construction details.dwg
Printed: 13.10.2014