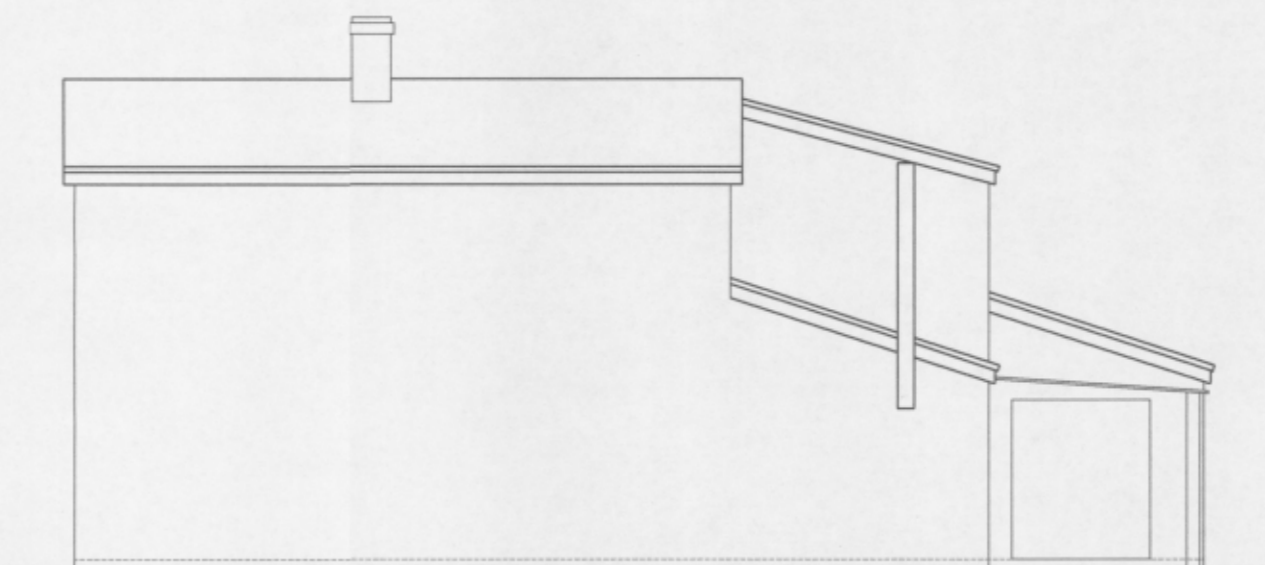


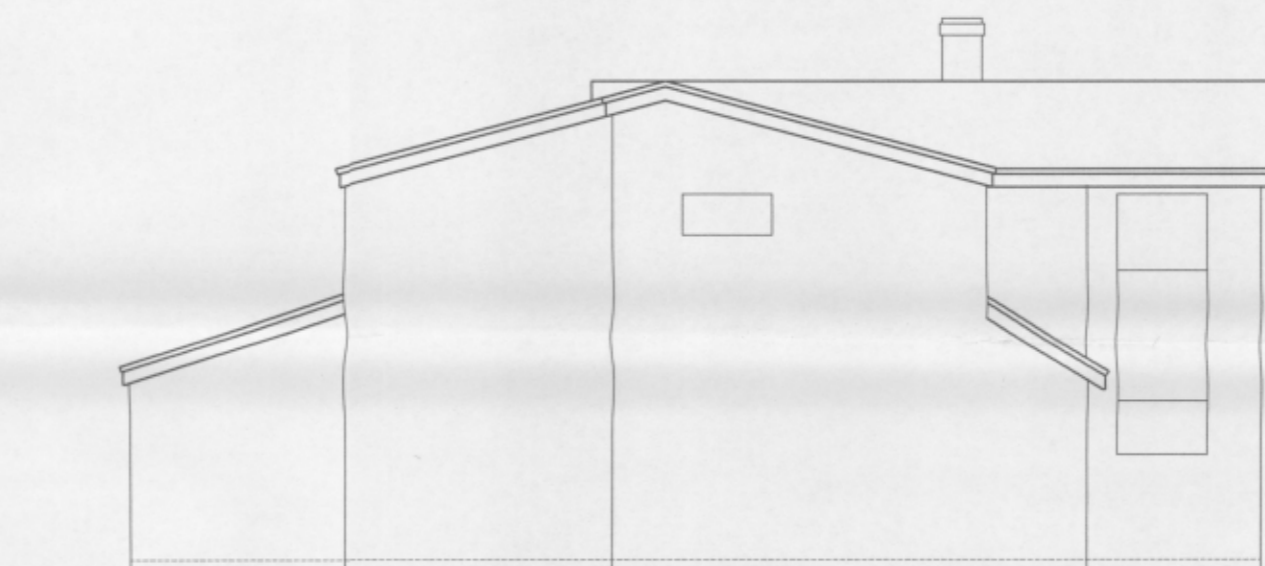
ALL DIMENSIONS AND TOLERANCES SHOWN SHOULD BE CHECKED AND CONFIRMED BY THE CLIENT PRIOR TO MANUFACTURE OR CONSTRUCTION. THIS DOCUMENT SHOULD NOT BE SCALED



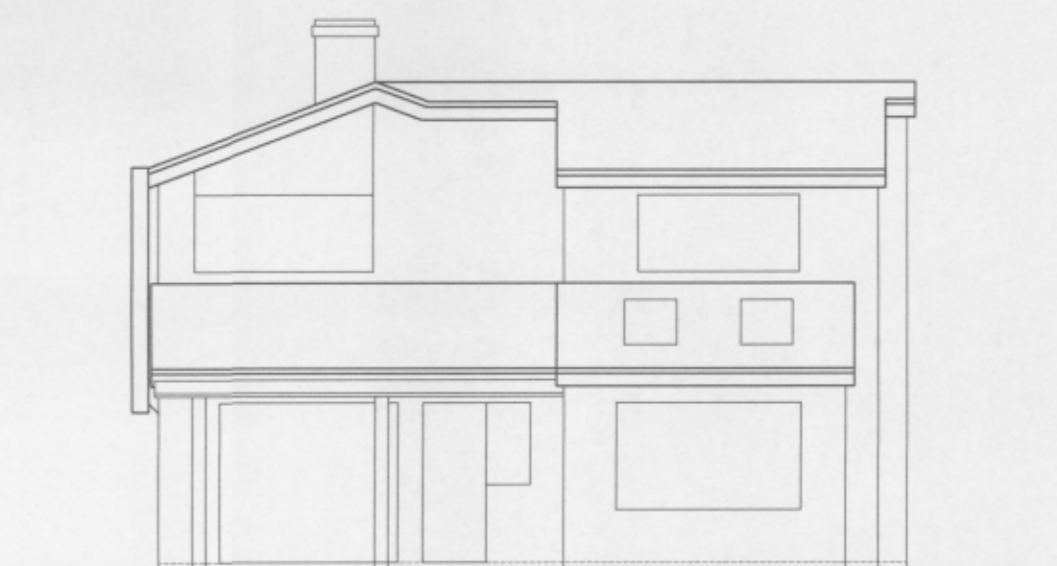
EXISTING FRONT WEST ELEVATION



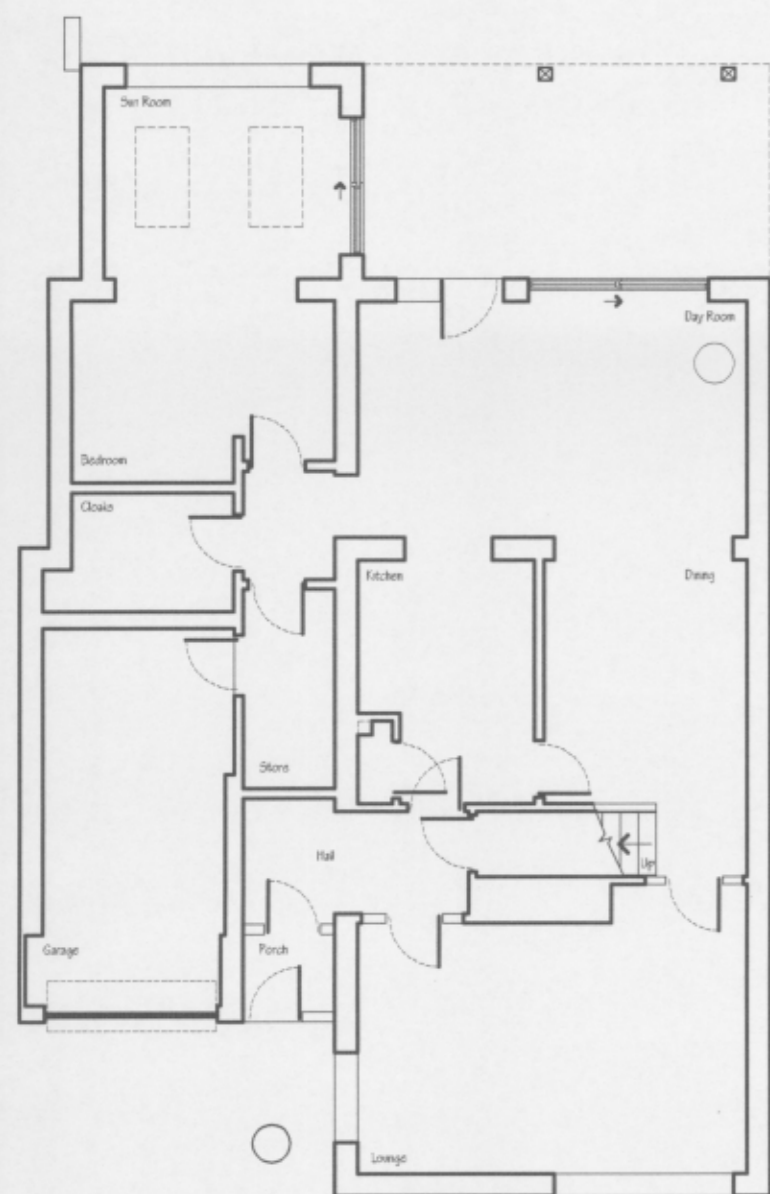
EXISTING SIDE SOUTH ELEVATION



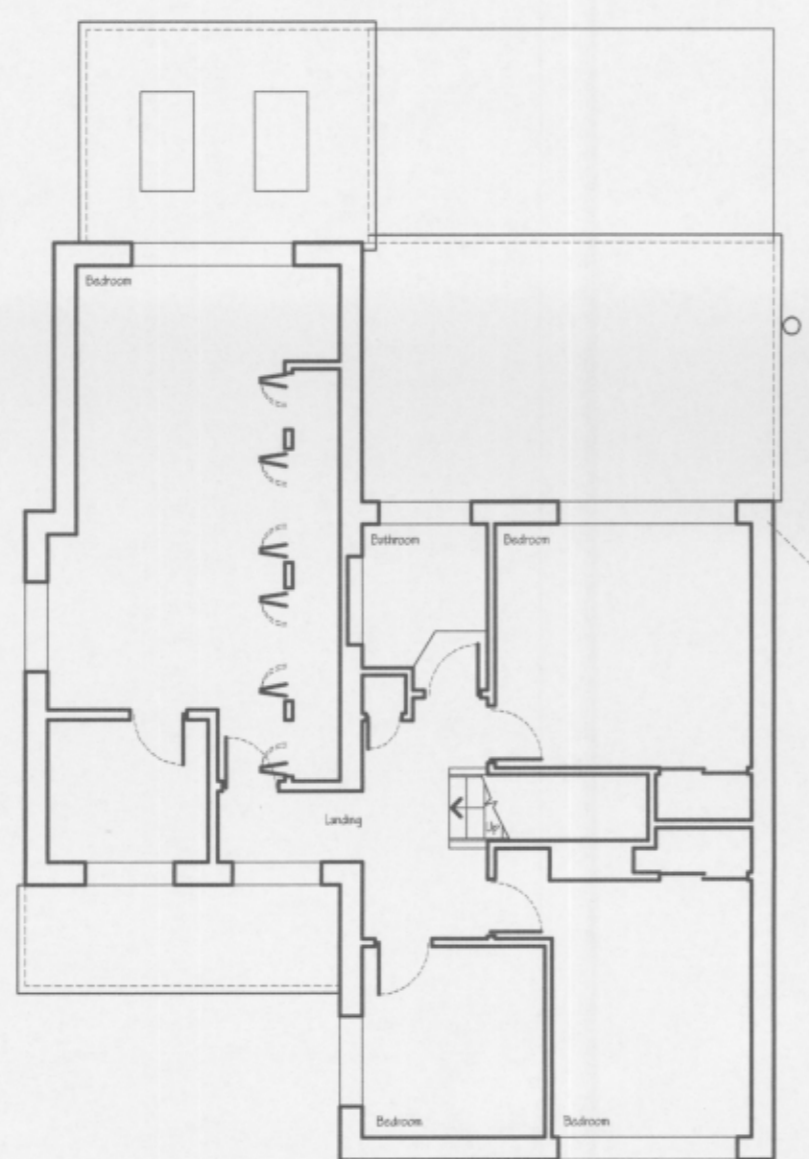
EXISTING END NORTH ELEVATION



EXISTING REAR EAST ELEVATION



EXISTING GROUND FLOOR PLAN

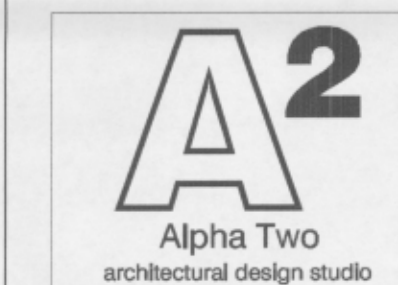


EXISTING FIRST FLOOR PLAN

PLANNING

Planning and Building Regulations Design Consultants
 Architectural Technologists
 Local Authorities Planning Agent Group Member
 Local Authorities Building Control Partner Member
 Planning Portal Professional Status
 Landmark and Promag Member
 Planning Appeal Consultants

www.cadmonkies.co.uk
cadmonkies@btconnect.com
 01280 - 70 44 44



Head Office : The Boathouse, 19 Westminster Croft,
 BRACKLEY, Northants. NN13 7ED

London Offices : Studio A2, Hoodcom Road,
 Thornton Heath, London, CH7 6JQ

Cadmonkies, Studio A2, Castle Yard,
 Richmond, LONDON, TW10 6TF

CLIENT:
 Mr and Mrs D Fox

ADDRESS:
 27 Deene Close, Adderbury
 BANBURY, OX17 3LD

CONTACT:
 Mr D Fox

SITE:
 27 Deene Close, Adderbury
 BANBURY,
 OX17 3LD

SCHEME:
 Proposed First Floor Rear Extension
 with Associated Internal and External
 Works.

DRAWING TITLE:
 Existing Plans

DATE:	DRAWN: david berious
SCALE: 1:100	REV: @ A2

DRAWING No:
P/16/008/002