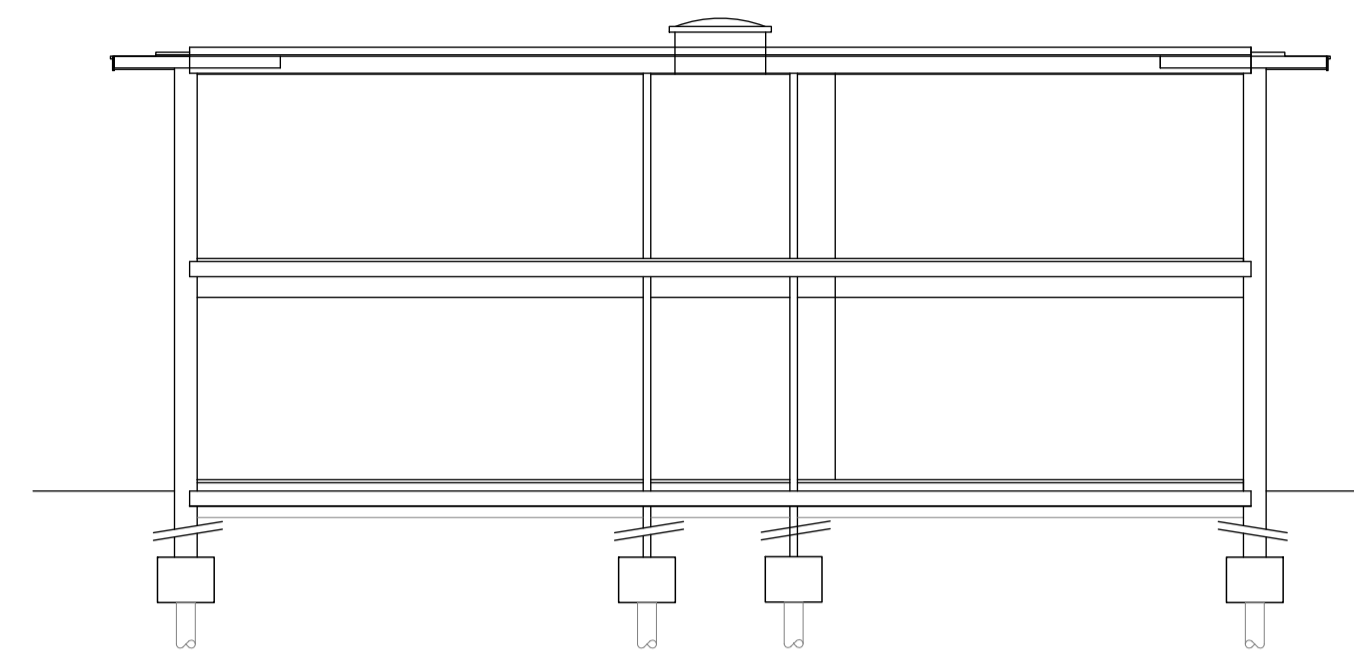




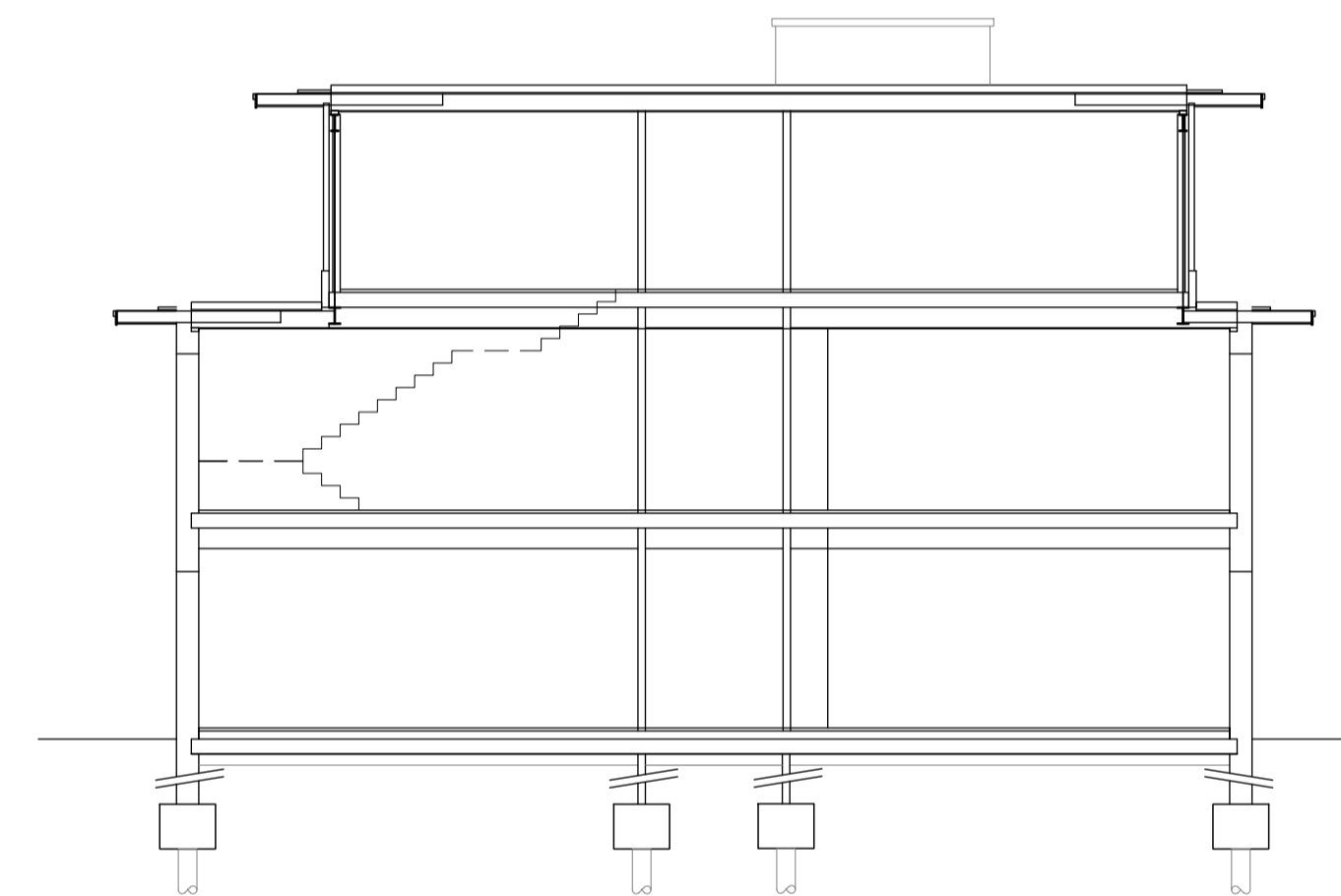
Side Elevation 4
(note: finished ground levels not indicated)



Typical Section 1



Sectional Elevation 5
(note: finished ground levels not indicated)



Typical Section 2



Side Elevation 6

PLANNING ISSUE

number	description	date	drawn
A	Trespa to second floor and minor alterations to first floor windows	08/05/14	JL

Project title
*Proposed Nursing Home
Skimmingdish Lane
Bicester*

Client
MMCG

Drawing title
*Contract Elevations
Sheet 2 of 2
(Coloured Version)*

job no.	dig no. P-EL-06	rev. A
scale 1:100	date 5 Aug 13	sheet A1

omni
architects

11 Bridge Street, Bangor
County Down, BT20 5AW

E: design@omniarchitects.co.uk
W: www.omniarchitects.co.uk

T : 0044 (0)28 9185 7373
F : 0044 (0)28 9185 7374