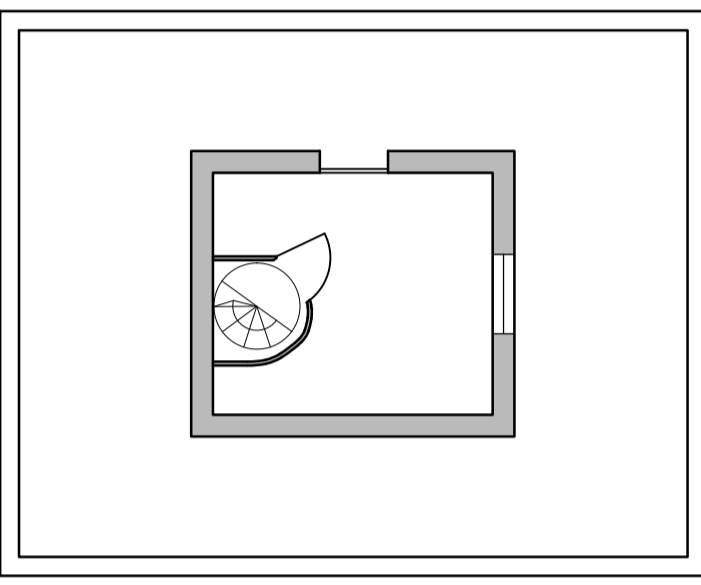
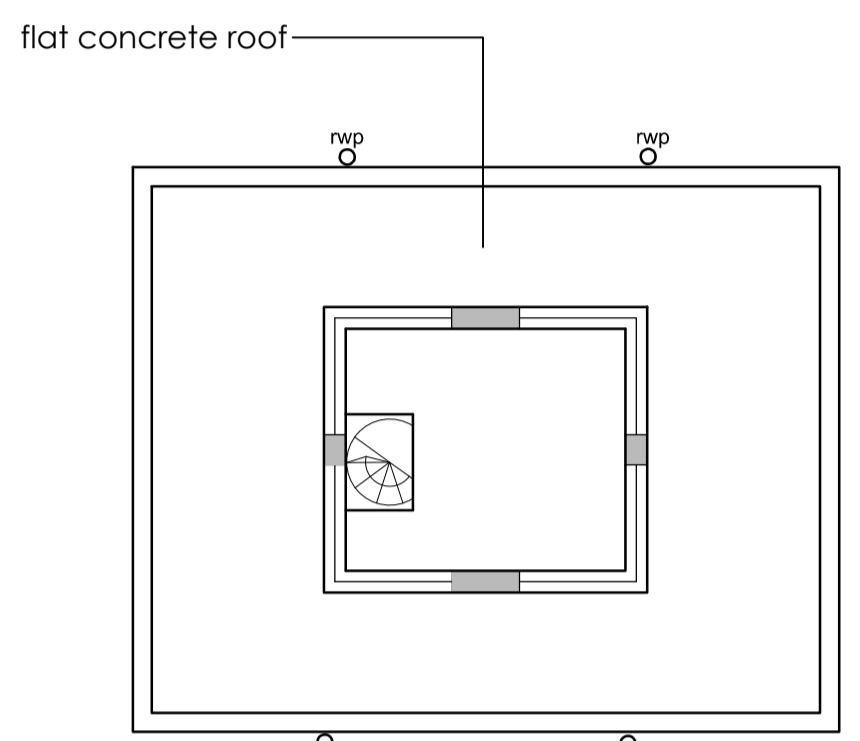


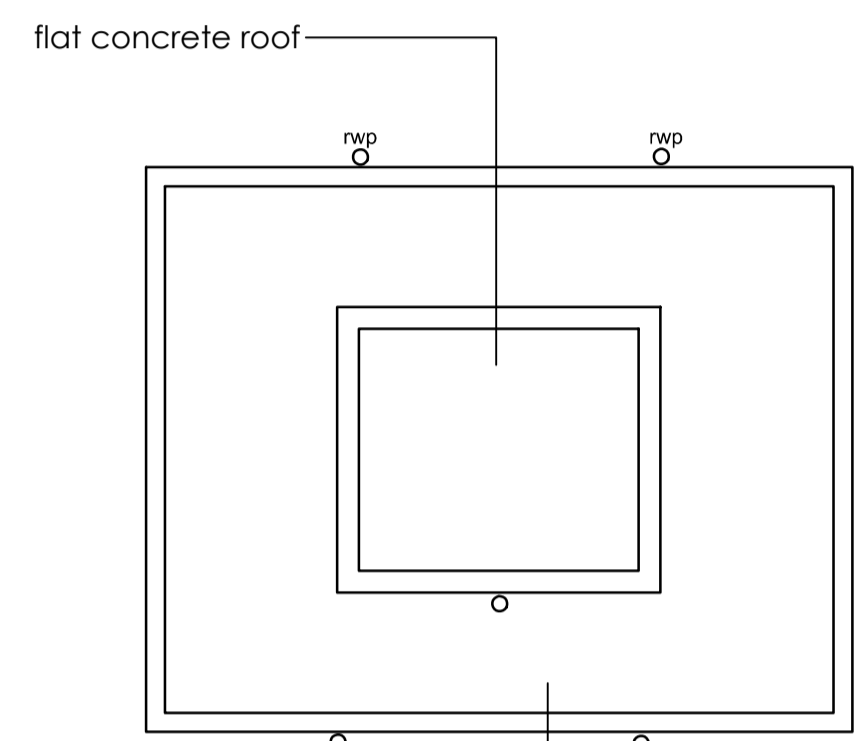
BUILDING 109
Ground Floor-existing



BUILDING 109
First Floor-existing



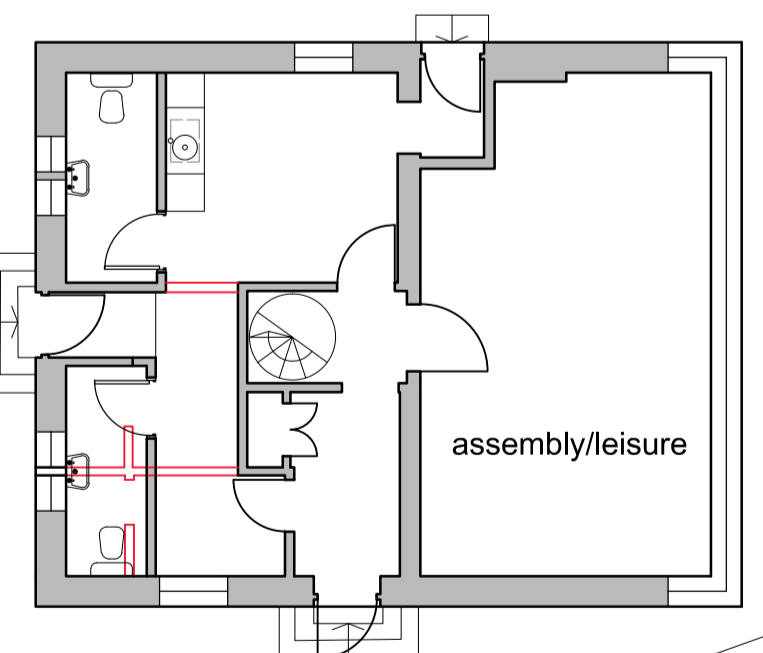
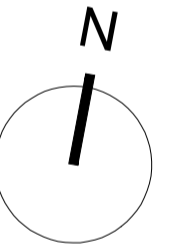
BUILDING 109
Second Floor-existing



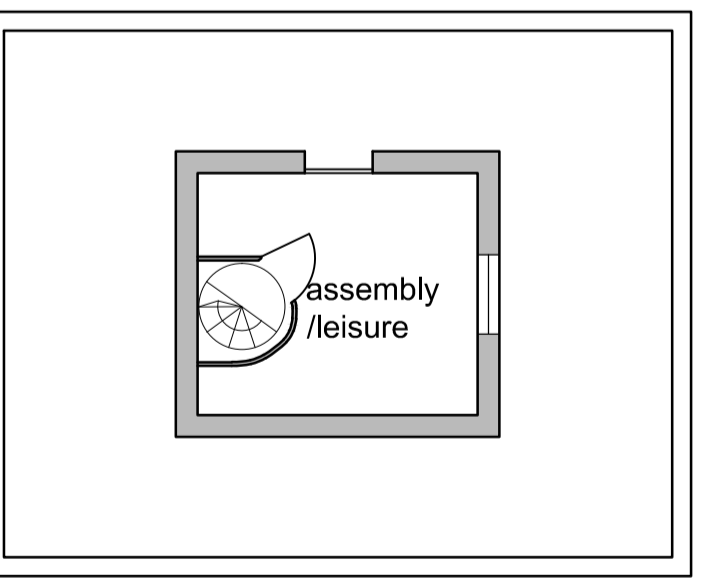
BUILDING 109
Roof plan-existing

Key Planning

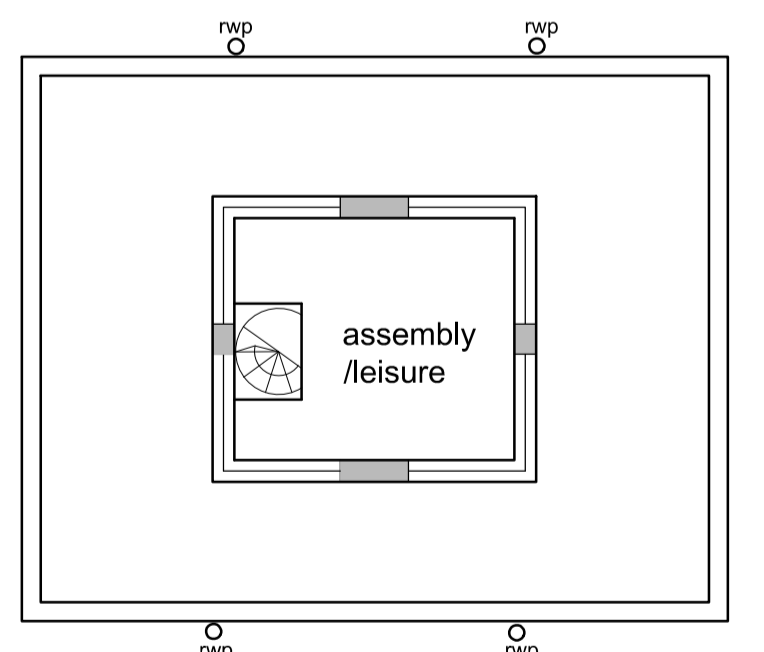
partition walls demolished



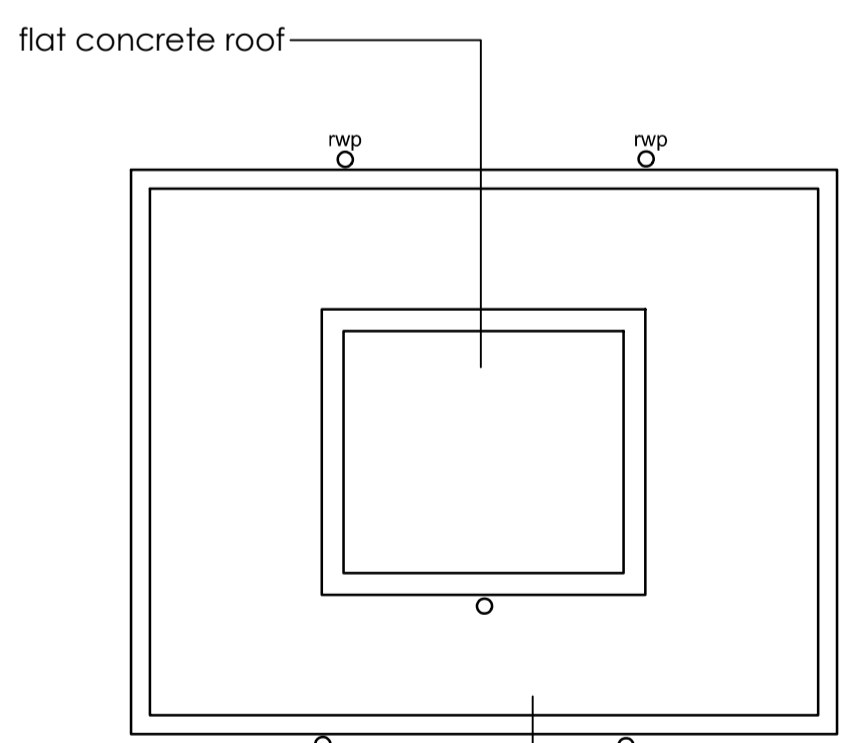
BUILDING 109
Ground Floor-existing



BUILDING 109
First Floor-proposed



BUILDING 109
Second Floor-proposed



BUILDING 109
Roof plan-proposed

This drawing is copyright. All rights reserved in Chapter IV of the Copyright, Designs and Patents Act 1988 have generally been observed. All drawings are the property of the architect. The architect's liability is limited to the professional services provided and does not extend to any other services.

Client
Bicester Heritage

Project
Bicester Heritage

Title
Building 109
Existing and Proposed Plans

Drawing No	Rev	Drawn	Date	Scale
12068 /109 PL 400 *	SC	22/05/2015	1:100 @A1	

GAUNT FRANCIS
Architects
London & Cardiff
31 Southampton Row | London WC1B 5HU | T: 020 7629 3993 | W: Gauntfrancis.co.uk

Existing and Proposed Plans