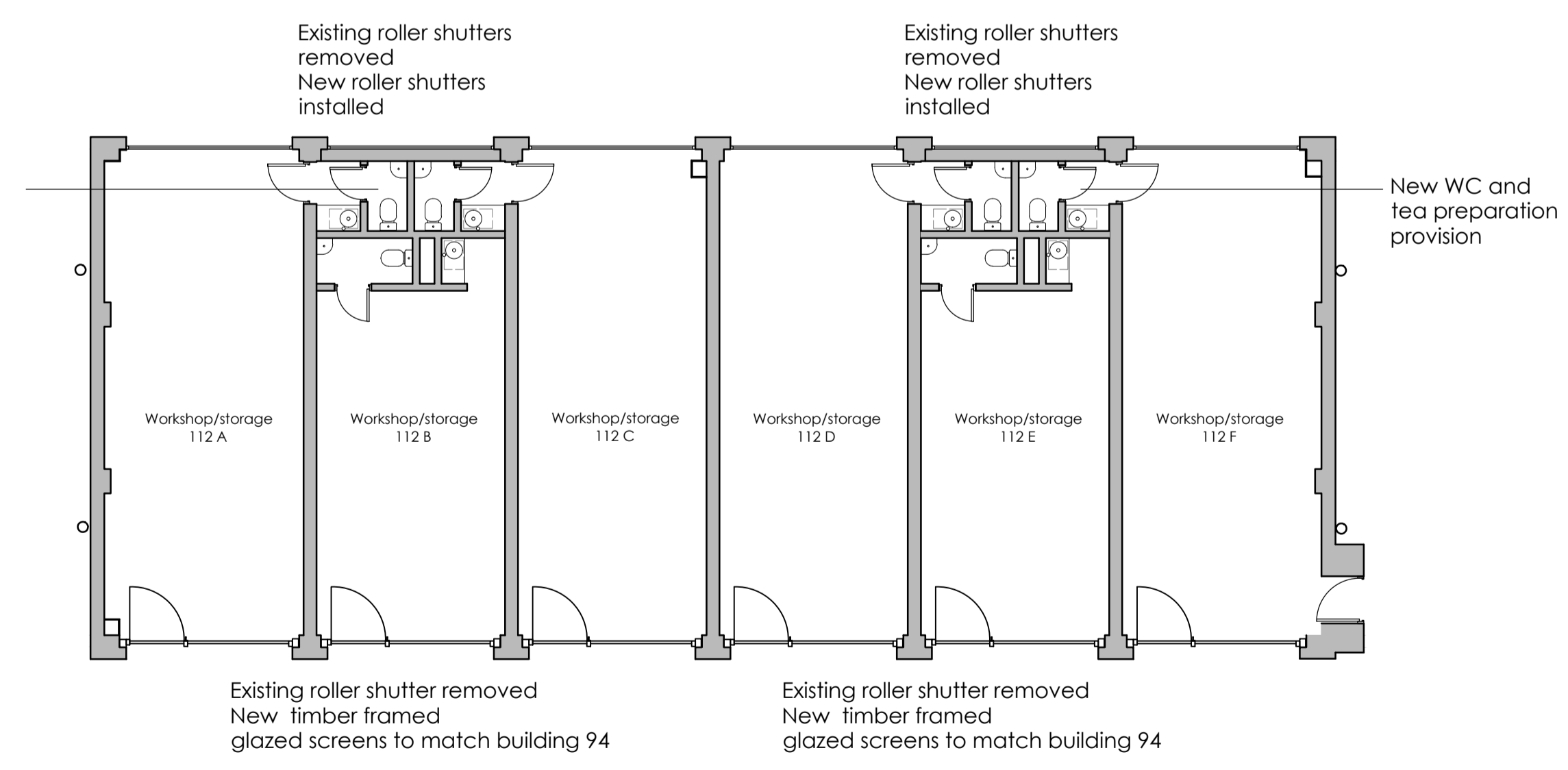
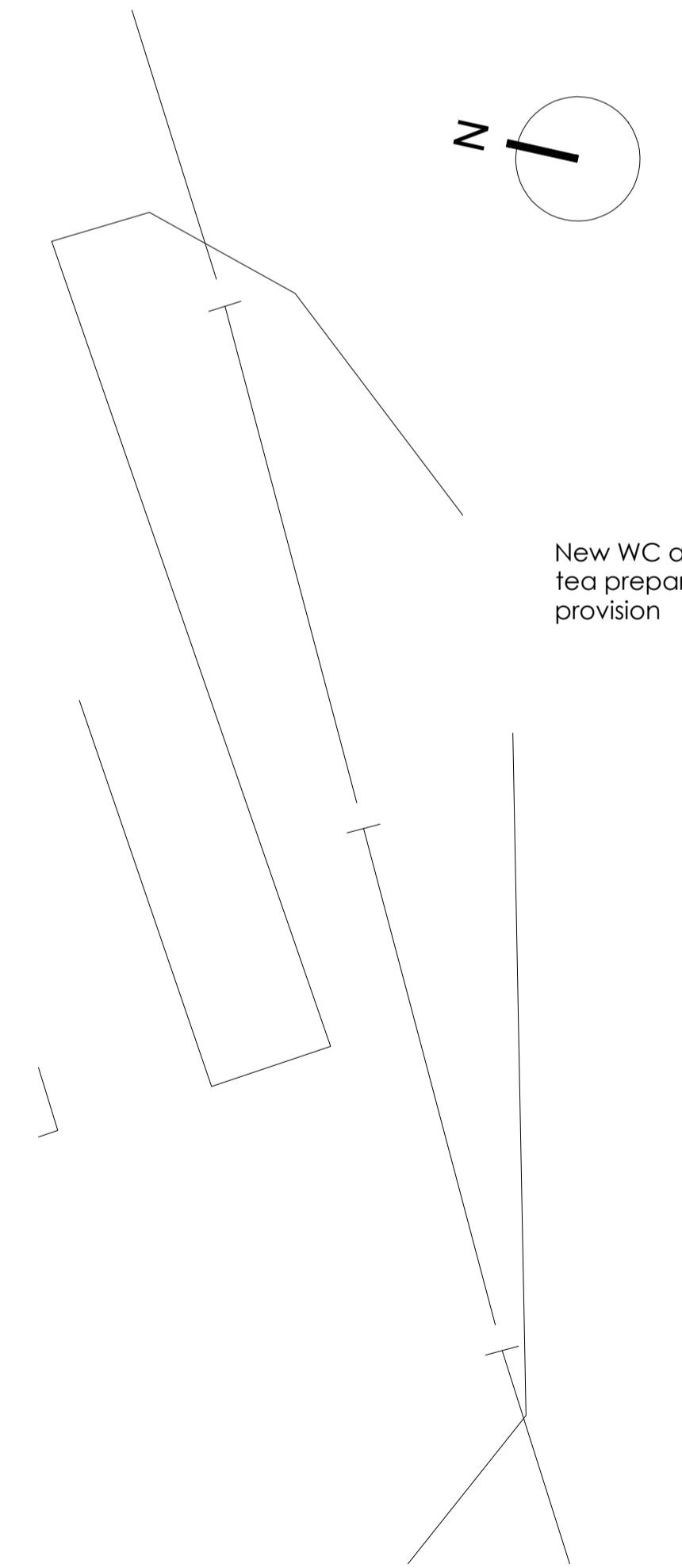


BUILDING 112
Existing Plan



BUILDING 112
Proposed Plan

This drawing is copyright. All rights reserved in Chapter 17 of the Copyright, Designs and Patents Act 1988 have generally been assigned. All drawings are checked on file. Do not scale. Any discrepancy between this drawing and other information is to be reported to GFA, the Client.

Client
Bicester Heritage

Project
Bicester Heritage

Title
Building 112
Existing and Proposed Plans
Planning

Drawing No	Rev	Drawn	Date	Scale
12068 / 112 PL 300 A	SC		28/04/2015	1/100 @ A1

GAUNT FRANCIS
Architects
London & Cardiff
1 Cavendish Place | London W1G 0AF | T: 020 7429 3993 | W: Gaunfrancis.co.uk

Existing and Proposed Plans