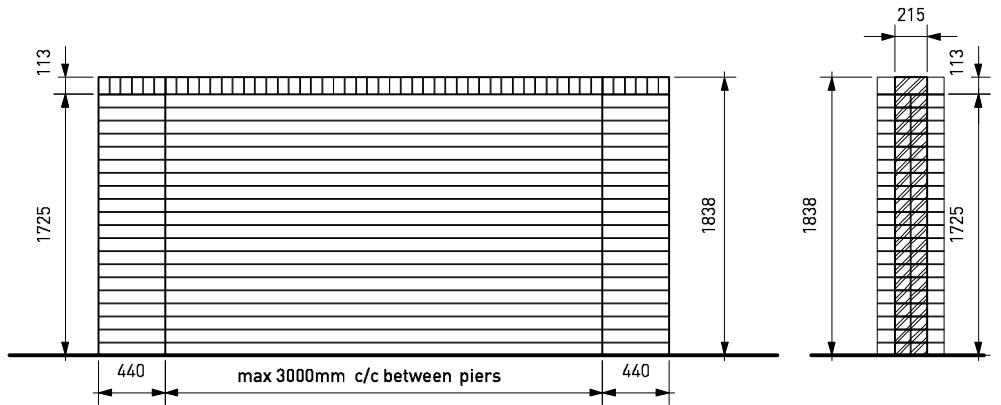
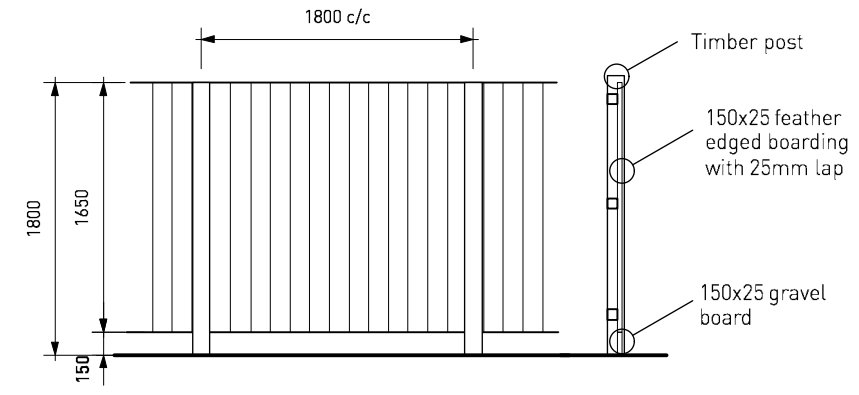


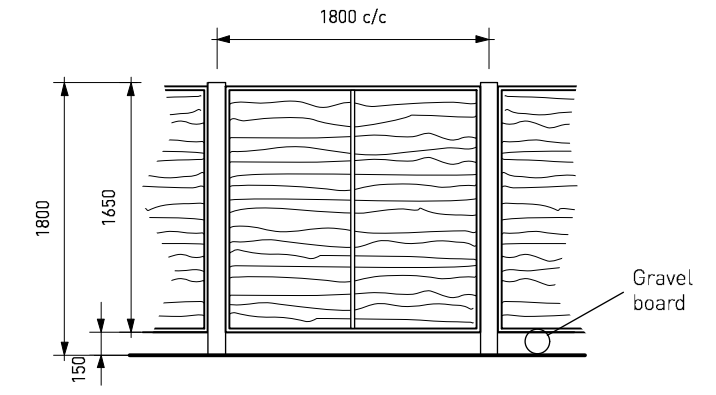
© Copyright Pegasus Planning Group Ltd. © Crown copyright. All rights reserved. Ordnance Survey Copyright. Licence number 100042093. Promap Licence number 100020449. Standard OS Licence rights, one year from purchase. Drawings prepared for planning application purposes and can be scaled. Drawings are not to be used for construction or sales documents. Please refer to (client) for development design risk assessment documents. Pegasus Urban Design is part of Pegasus Planning Group Ltd. Any queries to be reported to Pegasus for clarification.



1.8m High Brick Wall



1.8m High Close Board Fence



1.8m High Larch Lap Fence

1:50 Scale



HEYFORD PARK - ENCLOSURE DETAILS - B2B/B5

