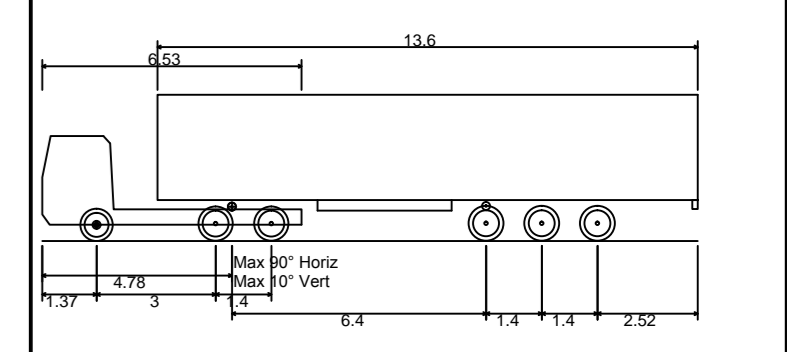


This drawing should not be scaled. Dimensions to be verified on site.
 Any discrepancies should be referred to the Engineer prior to work being put in hand.
 This drawing is the property of Waterman Infrastructure & Environment Limited, and the drawing is issued on the condition that it is not copied, reproduced, retained or disclosed to any unauthorised person, either wholly or in part without the consent in writing of Waterman Infrastructure & Environment Limited.
 PlotKnox VMAP, Celia Street, London SE1 9QG. T 020 7928 7888. F 03333 444 501

- GENERAL NOTES**
1. THIS DRAWING IS TO BE READ IN CONJUNCTION WITH ALL ENGINEERS, ARCHITECTS OR OTHER RELEVANT DRAWINGS AND SPECIFICATIONS.
 2. ALL DIMENSIONS AND LEVELS ARE TO BE CHECKED ON SITE BY THE CONTRACTOR PRIOR TO PREPARING ANY WORKING DRAWINGS OR COMMENCING ON SITE.
 3. THE CONTRACTOR MUST ENSURE AND WILL BE HELD RESPONSIBLE FOR THE OVERALL STABILITY OF THE BUILDING/STRUCTURE/EXCAVATION AT ALL STAGES OF THE WORK.
 4. ALL WORK BY THE CONTRACTOR MUST BE CARRIED OUT IN SUCH A WAY THAT ALL REQUIREMENTS UNDER THE HEALTH AND SAFETY AT WORK ACT ARE SAUSFIED.
 5. ALL WORK IS TO BE CARRIED OUT IN COMPLIANCE WITH THE REQUIREMENTS OF THE RELEVANT STATUTORY AUTHORITIES AND REGULATIONS.



Max Legal Length (UK) Articulated Vehicle (16.5m)
 Overall Length 16.500m
 Overall Width 2.550m
 Overall Body Height 3.661m
 Max Body Ground Clearance 0.411m
 Max Track Width 2.500m
 Lock to Lock Time 6.02s
 Kerb to Kerb Turning Radius 6.530m

LEGEND

○ JUNCTION RADIIUSES TO BE AMENDED TO ALLOW VEHICLE ACCESS

AG	22.07.15	MASTERPLAN UPDATED	AG
AG	23.04.15	PRELIMINARY	AG
Rev	Date	Description	By
Amendments			

Project: GRAVEN HILL, BICESTER
 Title: PROPOSED ARTICULATED VEHICLE SWEEP PATH ANALYSIS
 Client: CHERWELL DISTRICT COUNCIL



Drawing Status: **PRELIMINARY**

Designed by: AJ	Checked by: AJ	Project No: CIV 15119	
Drawn by: AG	Date: 23.04.15		
Scale: 1:1000	Author: CIV 15119-0805 - Articulated Vehicle SWP		
Revision	Number	Category	Date
C	SA	90	0805
			A02

