

**SPECIFICATION**  
 Forestry Commission Practice note 8.  
 All native species should be of local stock. Native trees and shrubs certified as British Native plant stock.  
 All planting stock should comply with the Horticultural Trade Association National Plant specification.  
 All planting preparation, handling, planting & maintenance should be in accordance with CPSE Code for Handling and Establishing plants.  
 All trees and shrubs to comply with BS 4438:1989, BS 4438:1989, BS 4438:1989 and BS 4438:1989. All plants generally, to comply with the written Soft Landscape Specification.  
 Topsoil incorporated into planting beds to be gently mounded towards the centre of each bed to allow for settlement.  
 On completion of planting the whole area of the shrub bed shall be mulched with 75mm consolidated thickness of medium textured decorative grade natural pine bark having first been prepared in accordance with the specification. Free standing hedges shall have a 3 strand galvanised wire and tallish softwood timber post fence, to BS 1722 Part 2:2000, erected along a line between the two rows of hedge plants.  
 All existing trees & hedges to be protected in accordance with BS5837:2012 for the duration of the construction period.

**NOTE: DO NOT SCALE FROM DRAWING**

**Legend**

- Existing trees to be retained and protected during construction
- Proposed tree planting to receive short double staking with expandable rubber tree ties and irrigation tubing to root system
- Proposed specimen shrub planting to receive short angular staking with expandable tree tie and irrigation tubing to root system as required
- Proposed climbing plants to be trained up adjacent wall/fence with galvanised wires and hooks set 250mm apart with support canes removed prior to planting
- Proposed ornamental native hedge mix to be planted in a double staggered row 400mm apart and placed 400mm apart in each row with 75mm bark mulch to base, to be maintained at a maximum height of 1.2 m
- Proposed mixed native hedge to be planted in a double staggered row 500mm apart and placed 500mm apart in each row with 75mm bark mulch to base, to be maintained at a maximum height of X m
- Proposed bulb mix of wild daffodils, English bluebells and snowdrops to be planted in groups of 3, 5 and 7 of the same species spread in a natural pattern at 2x the depth of the bulb
- Proposed grass areas to receive good quality amenity grass turves laid in line with good horticultural practices
- Proposed wildflower area to be seeded with EH1 'Hedgeflow Mixture' or similar, available from Emergate Seeds (wildseed.co.uk) sown at a rate of 4g/m<sup>2</sup> in line with good horticultural practices
- Proposed grass areas to be seeded with good quality grass seed in line with good horticultural practices
- Root Protection areas
- Existing trees to be removed
- Cut lines

4 3 2 1 0 1 2 3 4 5m

**Plant Schedule**

Species Name	Birth	Height	Density	Specification	Density	No.	
<i>Cornus sanguinea</i>	80-90cm	4-4.5m	40/40	Double Staggered at 0.4m offset	Transplant BR	Planted and maintained as hedge	203
<i>Euonymus europaeus</i>	80-90cm	4-4.5m	40/40	Double Staggered at 0.4m offset	Transplant BR	Planted and maintained as hedge	203
<i>Malus sylvestris</i>	80-90cm	4-4.5m	40/40	Double Staggered at 0.4m offset	Transplant BR	Planted and maintained as hedge	203
<i>Prunus spinosa</i>	12-14cm	3.0-3.5m	Counted	Selected Standard	Clear Stem 1.2-2.00	3 brks 3x RB	24
<i>Sorbus aucuparia</i>	12-14cm	3.0-3.5m	Counted	Selected Standard	Clear Stem 1.2-2.00	3 brks 3x RB	24
<i>Quercus robur</i>	12-14cm	3.0-3.5m	Counted	Heavy Standard	Clear Stem 1.2-2.00	3 brks 3x RB	24
<i>Prunus avium</i>	12-14cm	3.0-3.5m	Counted	Heavy Standard	Clear Stem 1.2-2.00	3 brks 3x RB	24
<i>Malus evereste</i>	14-16cm	4.5-6.00m	Counted	Extra Heavy Standard	Clear Stem 1.75-2.00	3 brks 3x RB4	24

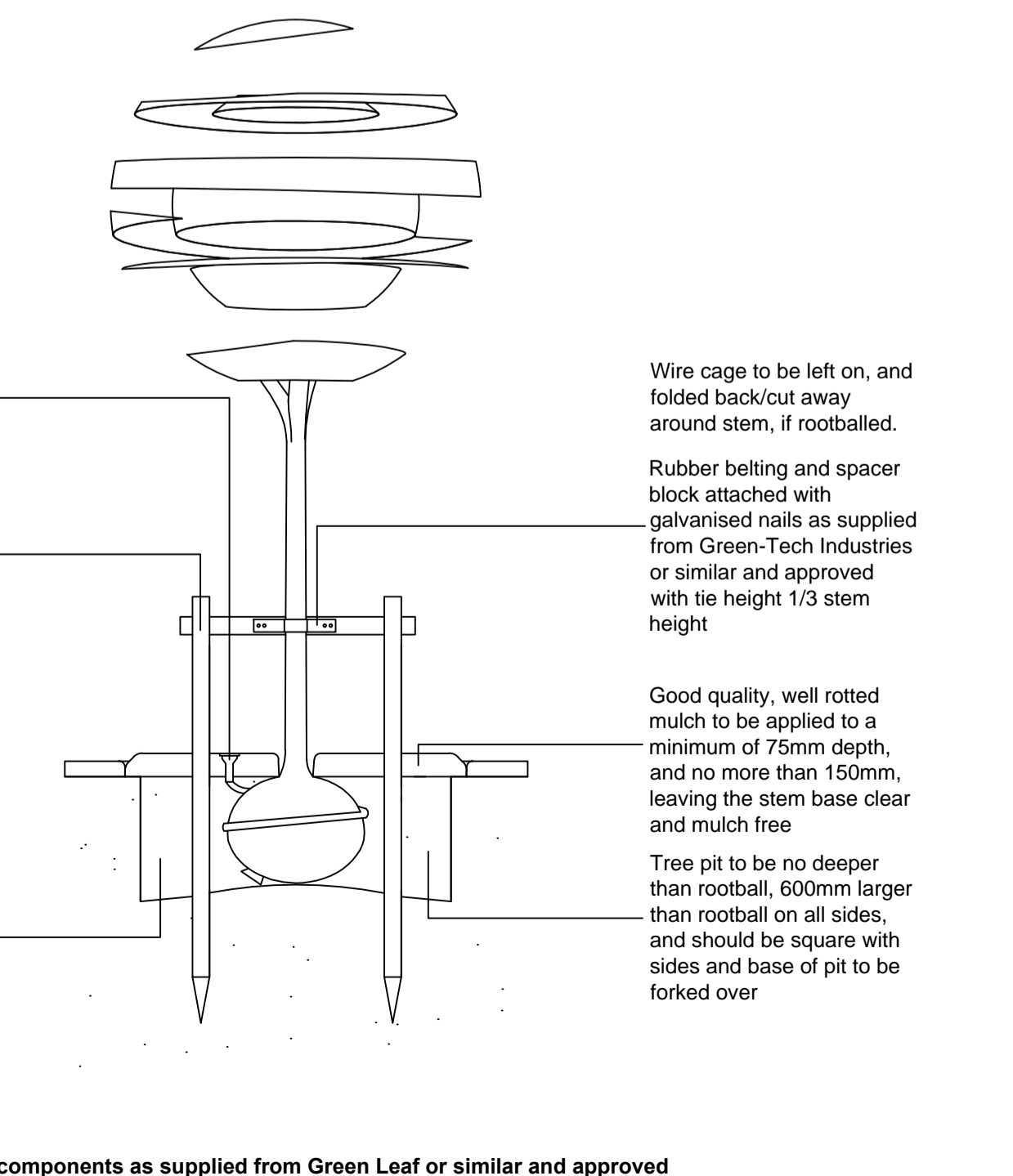
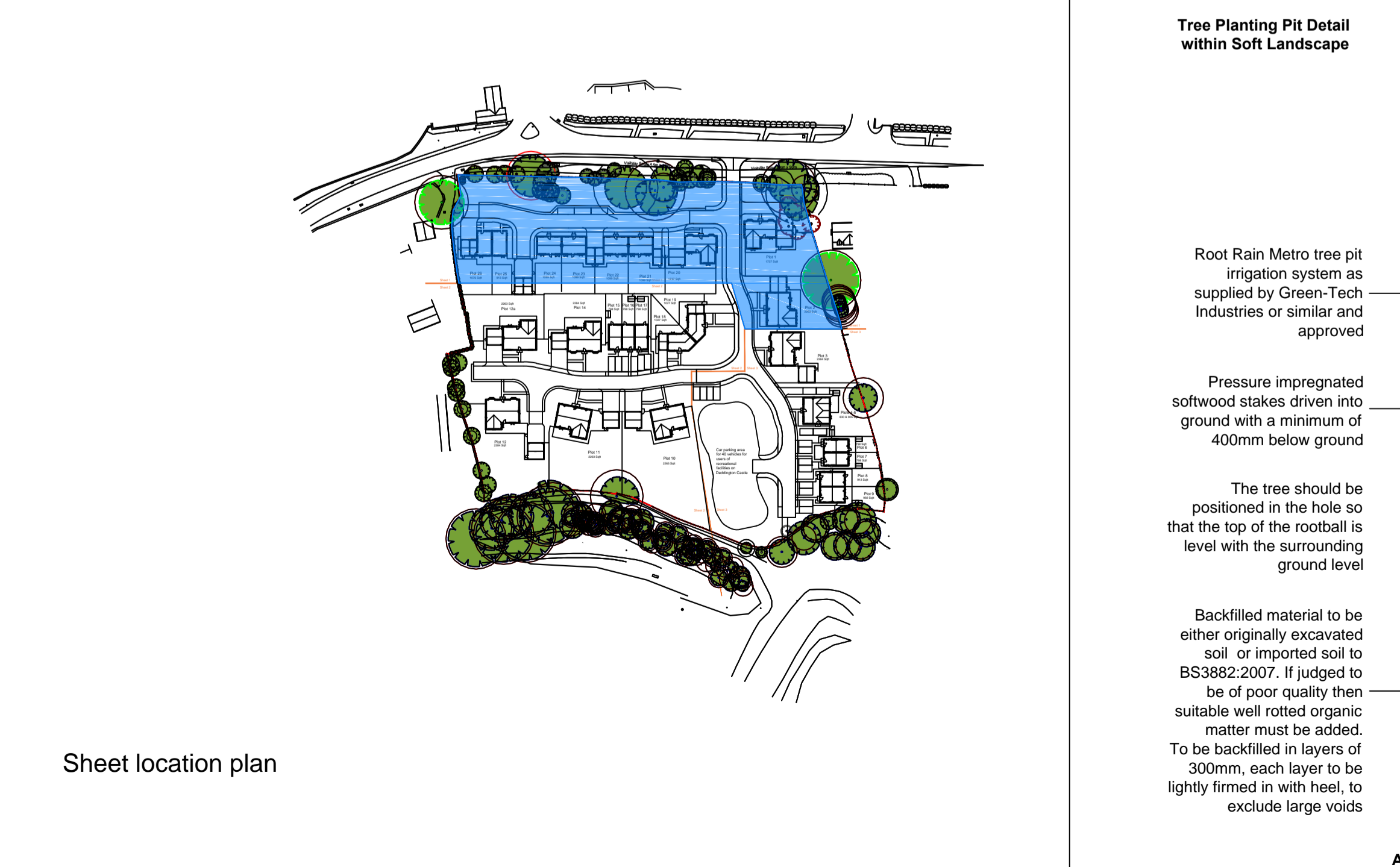
Species Name	Height	Pot Size	Specification	Density	No.
<i>Abelia grandiflora</i>	40-60cm	6-7.5l	Bushy 3-6 brks C	4/m <sup>2</sup>	134
<i>Buddleia davidii</i> 'Black Knight'	30-60cm	10l	Branchied 7 brks C	Counted	8
<i>Buxus sempervirens</i> (ball)	30-40cm	10l	Bushy 7/10 brks C/ clipped into a topiary ball	Counted	26
<i>Ceanothus thyrsiflorus</i> repens	40-60cm	6-7.5l	Bushy 3 brks C	4/m <sup>2</sup>	108
<i>Cistus</i> 'Silver Pink'	40-60cm	6-7.5l	Branchied BR	Planted and maintained as hedge	40/40
<i>Cornus sanguinea</i>	80-90cm	6-7.5l	Branchied BR	Planted and maintained as hedge	40/40
<i>Cornus avellana</i> 'Red Majestic'	80-90cm	6-7.5l	Branchied BR	Planted and maintained as hedge	40/40
<i>Elaeagnus ebbingei</i>	40-60cm	6-7.5l	Branchied 4 brks C	4/m <sup>2</sup>	84
<i>Elaeagnus argentea</i>	40-60cm	6-7.5l	Branchied 4 brks C	4/m <sup>2</sup>	84
<i>Euonymus fortunei</i> 'Silver Queen'	80-100cm	6-7.5l	Bushy 6/9 brks C	4/m <sup>2</sup>	173
<i>Forsythia intermedia</i> 'Lynwood'	80-100cm	10l	Branchied 7 brks C	Counted	2
<i>Hebe Autumn Glory</i>	40-60cm	6-7.5l	Bushy 3 brks C	4/m <sup>2</sup>	18
<i>Hebe Great Orme</i>	40-60cm	6-7.5l	Bushy 3-6 brks C	4/m <sup>2</sup>	146
<i>Ligustrum ovalifolium</i>	80-100cm	10l	Leader with laterals C	Counted	8
<i>Lonicera periclymenum</i> 'Belgica'	30-40cm	6-7.5l	Bushy 7 brks C	4/m <sup>2</sup>	144
<i>Ligustrum ovalifolium</i>	80-100cm	10l	Bushy 7/10 brks C	4/m <sup>2</sup>	144
<i>Lonicera pileata</i>	40-60cm	6-7.5l	Bushy 6/9 brks C	4/m <sup>2</sup>	166
<i>Phytolacca fraseri</i> 'Red Robin'	80-100cm	10l	Branchied 6/9 brks C	0.4/m <sup>2</sup>	35
<i>Prunus laurocerasus</i>	80-90cm	6-7.5l	Bushy 3 brks C	0.4/m <sup>2</sup>	35
<i>Rosmarinus officinalis</i> 'Benenden Blue'	80-90cm	6-7.5l	Branchied BR	Planted and maintained as hedge	40/40
<i>Sambucus nigra</i> 'Guincho Purple'	80-90cm	6-7.5l	Branchied BR	Planted and maintained as hedge	40/40
<i>Sambucus nigra</i>	80-90cm	6-7.5l	Branchied BR	Planted and maintained as hedge	40/40
<i>Viburnum opulus</i>	80-90cm	6-7.5l	Branchied BR	Planted and maintained as hedge	40/40
<i>Viburnum opulus</i>	80-90cm	6-7.5l	Bushy 3 brks C	4/m <sup>2</sup>	82

Species Name	Height	Pot Size	Specification	Density	No.
<i>Clematis armandii</i> 'Apple Blossom'	100-150cm	10l	Several Shoots 5 brks Canes	Counted	8
<i>Hydrangea petiolaris</i>	80-100cm	10l	Several Shoots 5 brks Canes	Counted	8
<i>Lonicera periclymenum</i> 'Belgica'	100-150cm	10l	Several Shoots 5 brks Canes	Counted	8

Species Name	Specification	Density	No.
<i>Callitriche ovalifolia</i>	100-150cm	10l	128
<i>Hydrangea petiolaris</i>	100-150cm	10l	148
<i>Narcissus pseudonarcissus</i>	100-150cm	10l	128



**ACD**  
 Ecology  
 Arbiculture  
 Landscape Architecture

ACD Landscape Architects & ACD Ecology  
 Rodbourne Rail Business Centre, Grange Lane, Malinesbury, Wilt, SN1 6ES  
 Tel: 01666 825646 Fax: 01666 824654

ACD Arbiculture  
 Tanners, Lower Street, Haslemere, Surrey, GU27 2PE  
 Tel: 01483 425714 Fax: 01428 641090

ACD (Landscape Architects) Southampton  
 12 Southgate Street, Winchester, Hampshire, SO23 9EF  
 Tel: 01962 855604  
 www.acdlandscape.co.uk

**BANNER**  
 HOMES

scheme: Clifton Road, Deddington  
 client: Banner Homes  
 drawing: Landscape Proposals  
 date: FEB '14  
 scale: 1:200@A1  
 drawing no: BAN18590-11 Sheet 1 of 3  
 drawn: HG checked: JC

Copyright of ACD Landscape Architects Ltd. All rights described in Chapter IV of the Copyright, Designs and Patents Act 1988 have been generally assigned: 2011. Copyright of this plan remains with ACD until all fees have been paid in full.