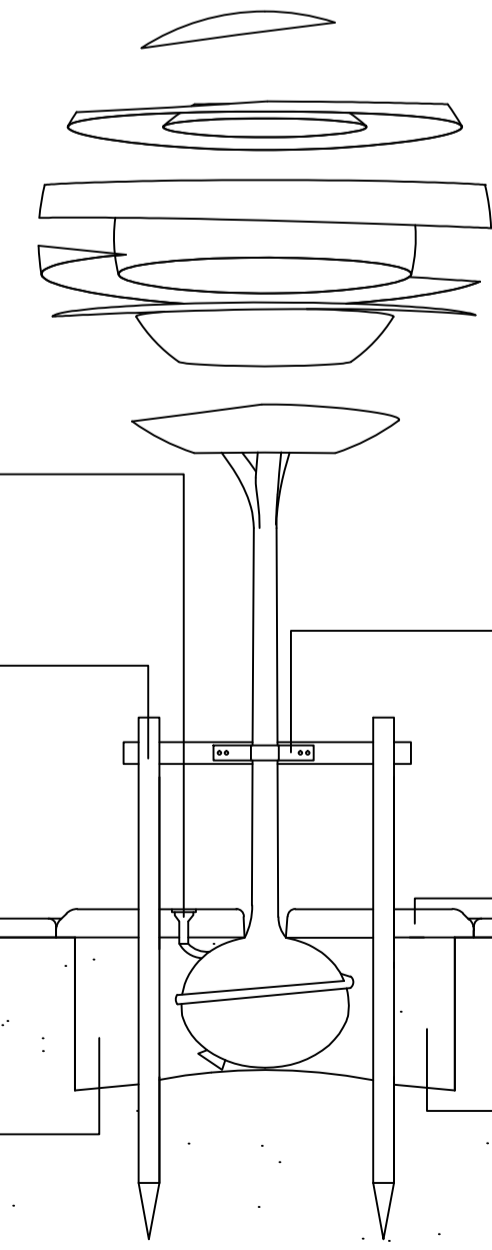


Hunters End

FOR PLANT SCHEDULE SEE SHEET 4

Tree Planting Pit Detail within Soft Landscape



Root Rain Metro tree pit irrigation system as supplied by Green-Tech Industries or similar and approved

Pressure impregnated softwood stakes driven into ground with a minimum of 400mm below ground

The tree should be positioned in the hole so that the top of the rootball is level with the surrounding ground level

Backfilled material to be either originally excavated soil or imported soil to BS3682:2007. If judged to be of poor quality then suitable well rotted organic matter must be added. To be backfilled in layers of 300mm, each layer to be lightly firmed in with heel, to exclude large voids

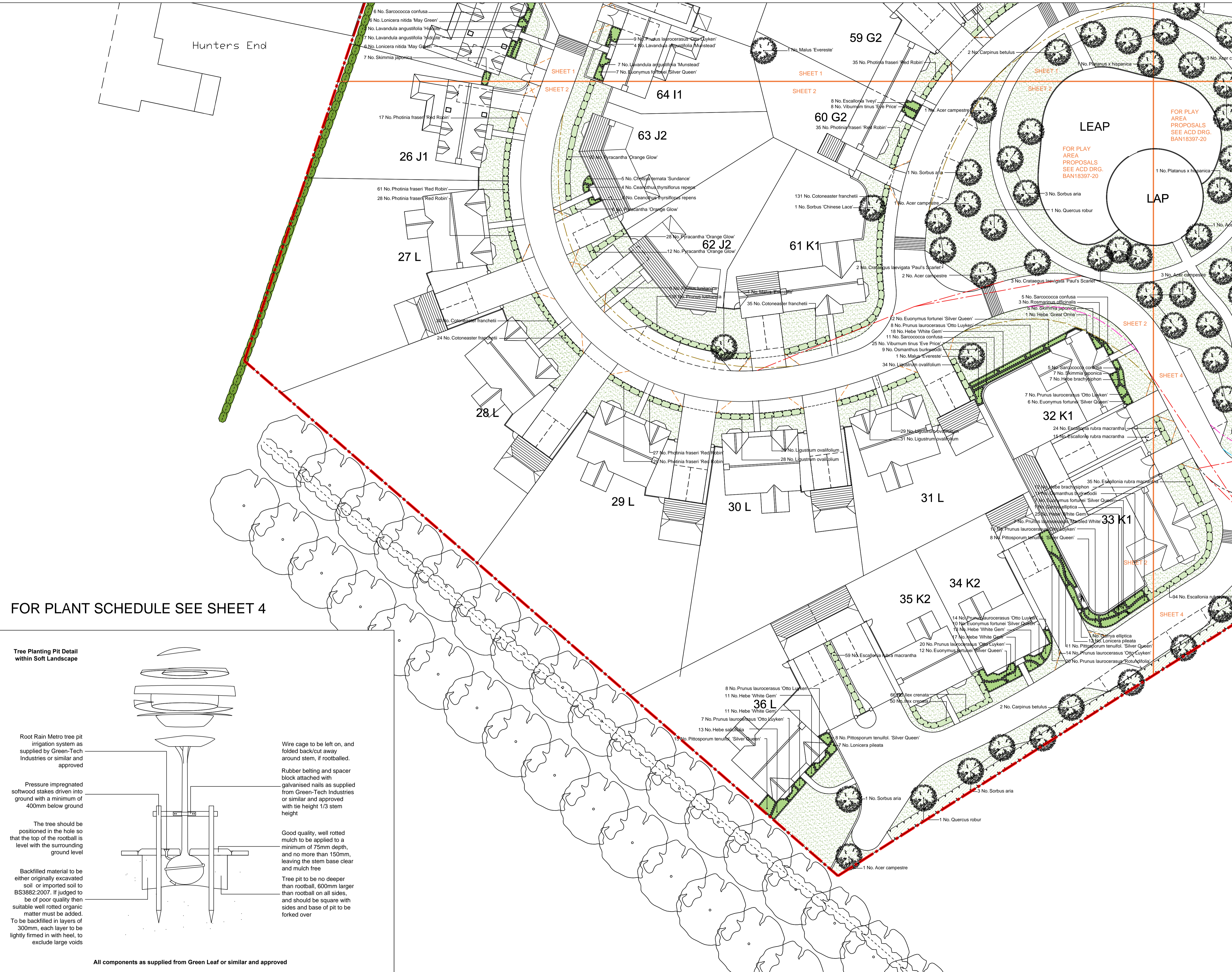
Wire cage to be left on, and folded back/cut away around stem, if rootballed.

Rubber belting and spacer block attached with galvanised nails as supplied from Green-Tech Industries or similar and approved with tie height 1/3 stem height

Good quality, well rotted mulch to be applied to a minimum of 75mm depth, and no more than 150mm, leaving the stem base clear and mulch free

Tree pit to be no deeper than rootball, 600mm larger than rootball on all sides, and should be square with sides and base of pit to be forked over

All components as supplied from Green Leaf or similar and approved



SPECIFICATION
Forestry Commission Practice note 8.
All native species should be of local stock. Native trees and shrubs certified as British Native plant stock.
All planting stock should comply with the Horticultural Trade Association National Plant Specification.
All planting preparation, handling, planting & maintenance should be in accordance with CPSE Code for Handling and Establishing plants.
All trees and shrubs to comply with BS 3936 Part 1 1992, planted to BS 4043:1989 and BS 4428:1989.
All works generally, to comply with the written Soft Landscape Specification.
Topsoil incorporated into planting beds to be gently mounded towards the centre of each bed to allow for settlement.
On completion of planting the whole area of the shrub bed shall be mulched with 75mm consolidated thickness of medium textured decorative grade natural pine bark having first been prepared in accordance with the specification.
Free standing wires shall have a 3 strand galvanised wire and tansilised softwood timber post fence, to BS 1722 Part 3:2000, erected along a line between the two rows of hedge plants.
All existing trees and hedges to be protected in accordance with BS5837:2012 for the duration of the construction period.

NOTE: DO NOT SCALE FROM DRAWING

Legend
- Site Boundary
- Existing trees to be retained and protected during construction
- Proposed tree planting within soft landscape. See tree pit detail.
- Proposed climbing plants to be trained up adjacent wall/ fence/pergola with galvanised wires and hook set 250mm apart with support canes removed prior to planting
- Proposed single species hedge to be planted in a double staggered row 300mm apart and at 500mm centres in each row. To be maintained at 1m height
- Proposed mixed native hedge planting to be planted in a double staggered row 300mm apart and at 500mm centres in each row. To be maintained at 1.8m height adjacent to site boundaries
- Proposed shrub planting to receive 75mm bark mulch after planting operations
- Proposed decorative mix shrub planting to be planted in groups of 5-7no. of each species and as above
- Proposed grass areas to receive good quality amenity grass turves laid in line with good horticultural practices
- Linear root barrier - Reroot 1000 (ReR 1000) as supplied from Greenleaf (Tel: 01424 717797)
- Sheet cut lines

Revision table with columns for Rev, Date, Details, and Drawn. Includes dates from 26.11.2013 to 05.12.2012 and names like HG, JS, CM.

ACD Ecology Arboriculture Landscape Architecture
ACD Landscape Architects & ACD Ecology
Rodbourne Rail Business Centre, Grange Lane, Malmesbury, Wiltshire, SN16 0ES
Tel: 01666 825646 Fax: 01666 824654
ACD Arboriculture
Tanners, Lower Street, Haslemere, Surrey, GU27 2PE
Tel: 01483 425714 Fax: 01428 641090
ACD (Landscape Architects) Southampton
12 Southgate Street, Winchester, Hampshire, SO23 9EF
Tel: 01962 855604
www.acdlandscape.co.uk

BANNER HOMES
scheme: Cotefield Farm, Bodicote.
client: Banner Homes
drawing: Landscape Proposals
date: Nov '12
scale: 1:250@A1
drawing no: BAN18397-11E
Sheet 2 of 4
drawn: HG checked: JS

Copyright of ACD Landscape Architects Ltd. All rights reserved in Chapter IV of the Copyright, Designs and Patents Act 1988 have been generally asserted: 2011. Copyright of this plan remains with ACD until all fees have been paid in full.