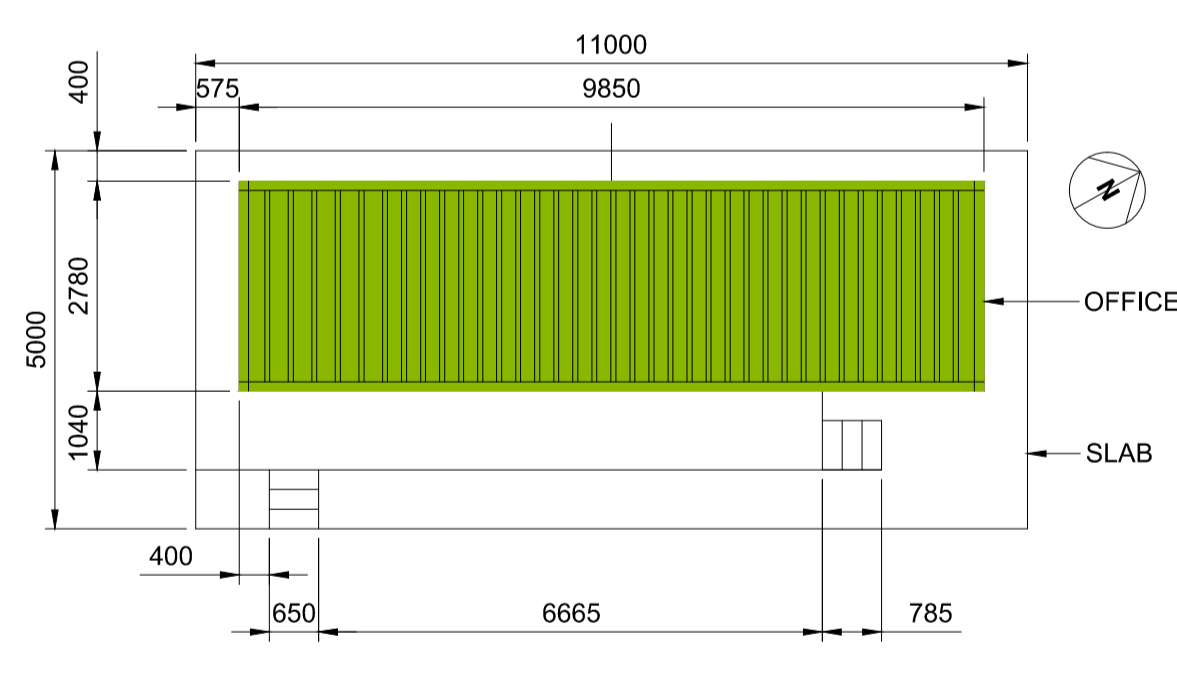
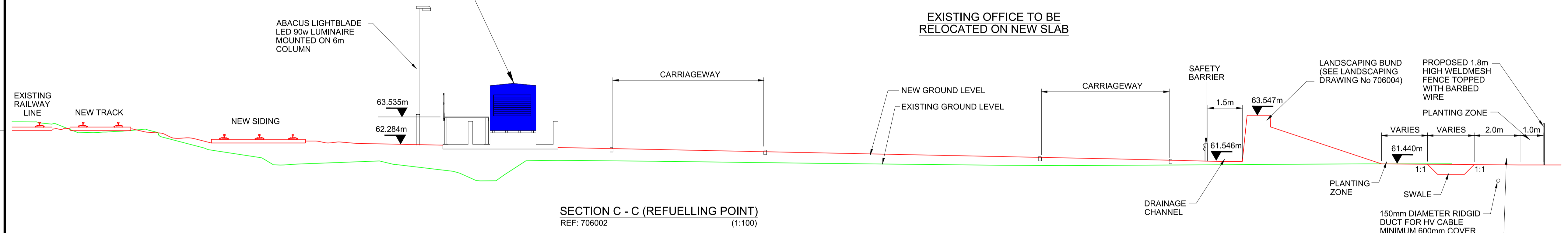


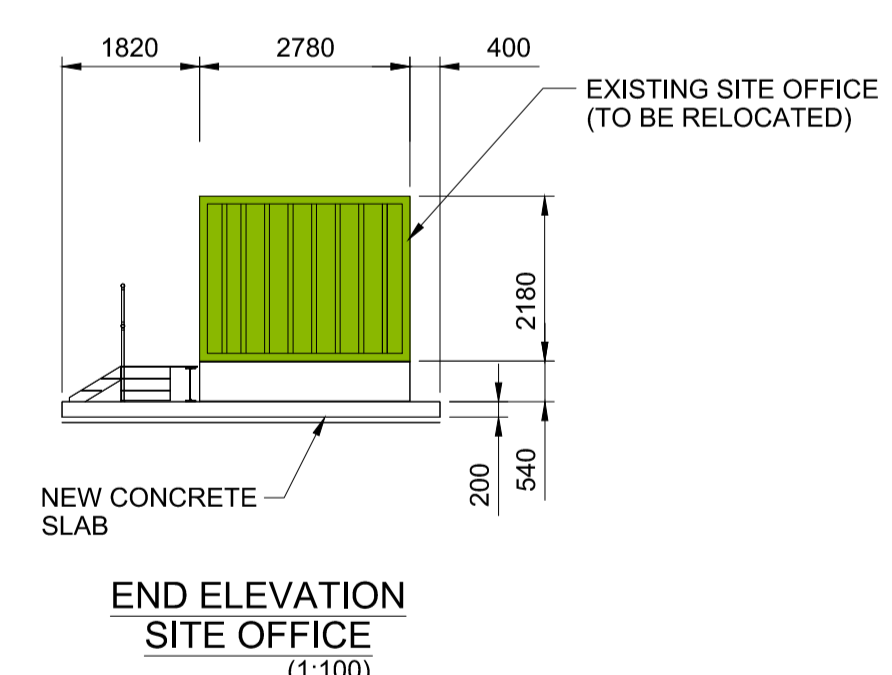
EXISTING OIL TANK TO BE RELOCATED ON NEW BUND



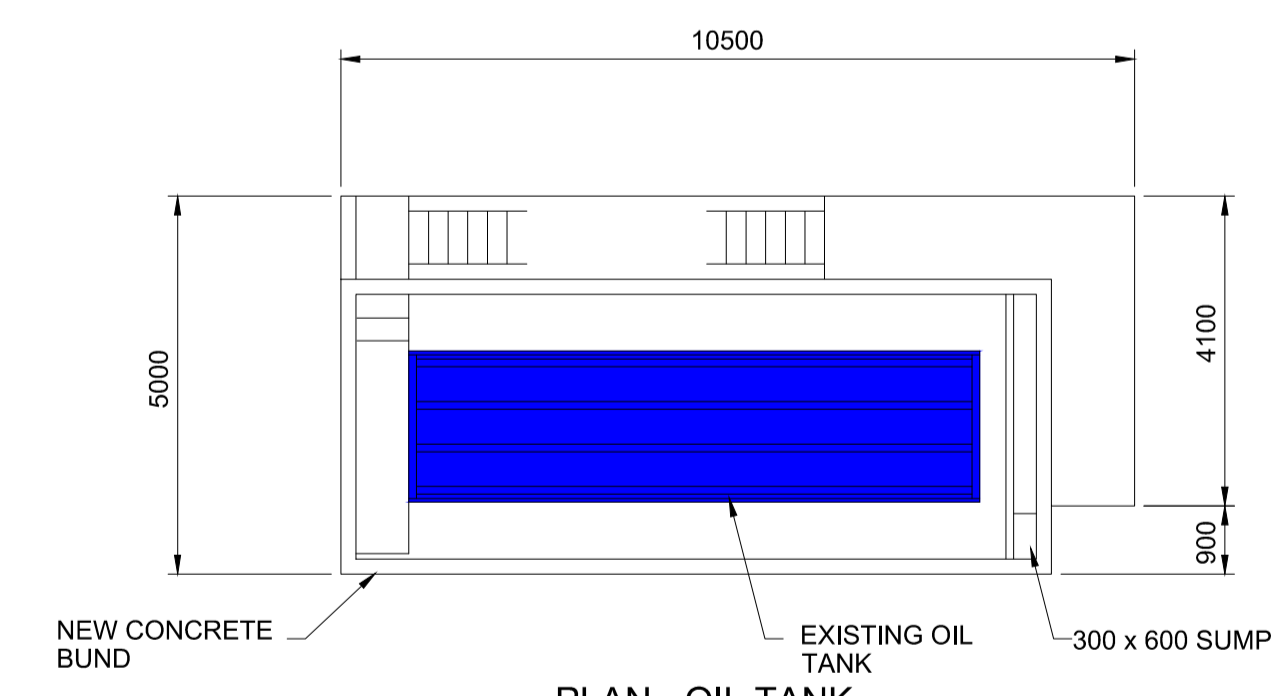
EXISTING OFFICE TO BE RELOCATED ON NEW SLAB



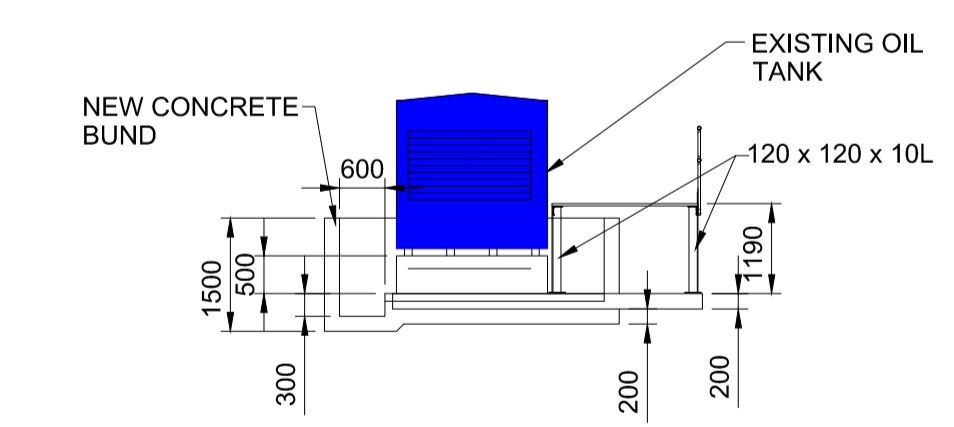
PLAN - SITE OFFICE (1:100)



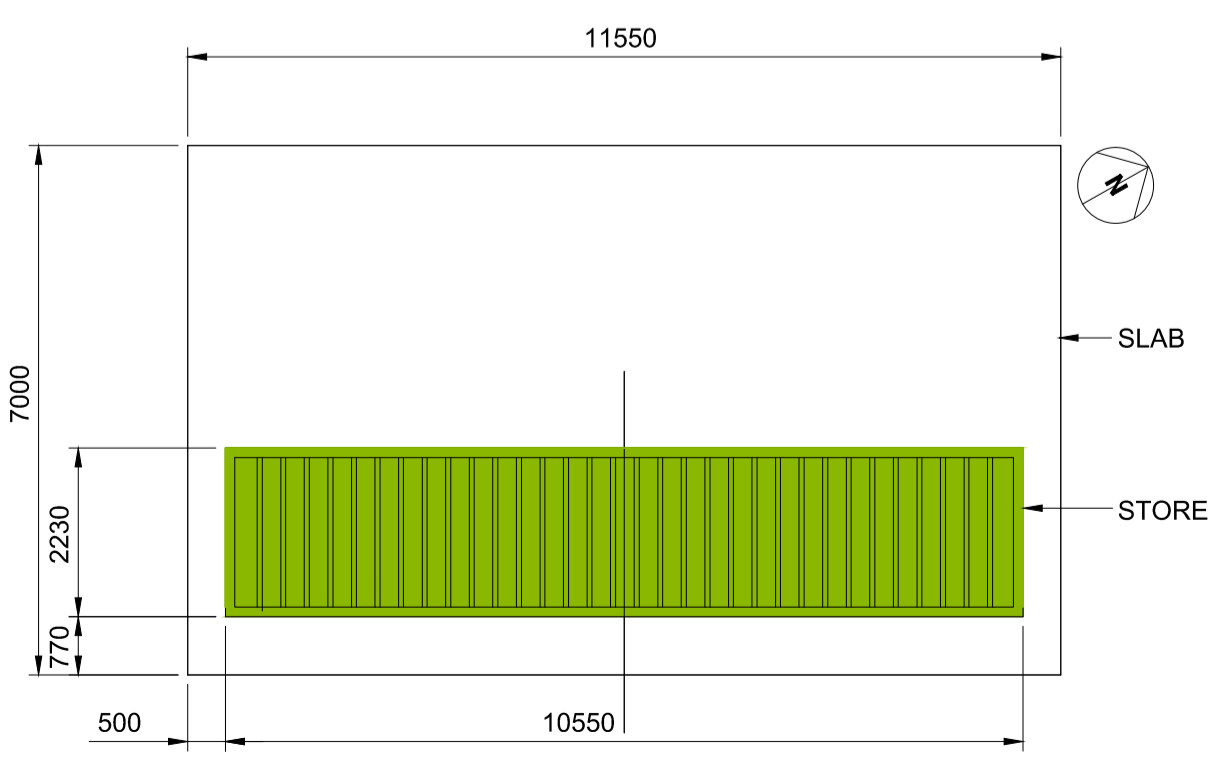
END ELEVATION SITE OFFICE (1:100)



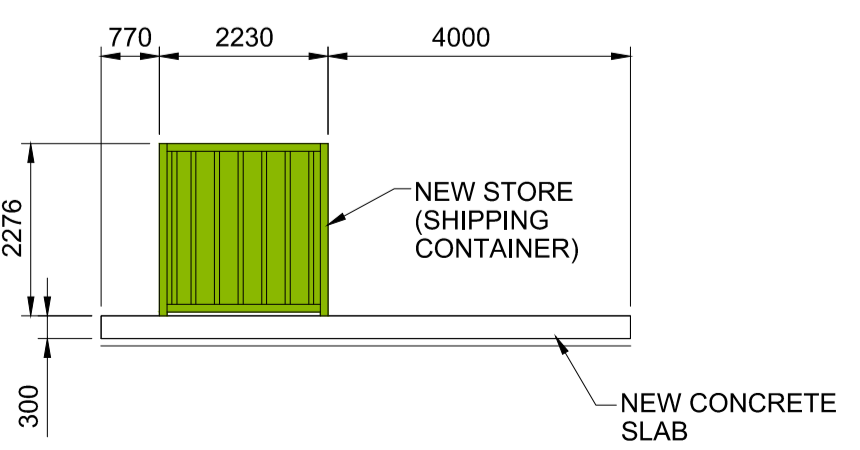
PLAN - OIL TANK (1:100)



END ELEVATION - OIL TANK (1:100)



PLAN SITE STORE (1:100)



END ELEVATION SITE STORE (1:100)

- Legend/Notes
- OFFICE BUILDING TO BE RELOCATING EXISTING BUILDING (A CONVERTED SHIPPING CONTAINER) AND ASSOCIATED PLATFORM ON NEW 11m X 5m CONCRETE SLAB. GREEN COLOUR.
  - WORKSHOP STORE TO BE STANDARD 40FT LONG SHIPPING CONTAINER ON NEW 12.55m X 7m CONCRETE SLAB. GREEN COLOUR.
  - OIL TANK TO BE RELOCATING EXISTING 19500 LTR STORAGE TANK ON WATER TIGHT 10.5m x 5m x 1m HIGH BUND WALL CONCRETE SLAB WITH NEW PLATFORM DECK. OIL TANK TO BE BLUE COLOUR.
  - LIGHTING COLUMNS TO BE ABACUS LIGHTBLADE LED 90w LUMINAIRE MOUNTED ON 6m COLUMNS.
  - LEVELS ARE IN METRES ABOVE ORDINANCE DATUM.
  - THIS DRAWING IS TO BE READ IN CONJUNCTION WITH DRAWING 5114534-ATK-DRG-MD-706002.
  - ALL DIMENSIONS ARE IN MILLIMETRES UNLESS NOTED OTHERWISE.

P02	14/01/14	FOR PLANNING	ST	WC	DS
P01	09/12/13	FOR PLANNING	PN	WC	DS
Rev	Date	Description of Revisions	Drawn	Chkd	Appr

FOR PLANNING



Contractor(s)

**ATKINS**

The Axis  
10 Holliday Street  
Birmingham  
West Midlands  
B1 1TF

Tel: +44 (0)121 483 5000  
Fax: +44 (0)121 483 6333

Project  
EAST WEST RAIL PHASE 1

Drawing Title  
BANBURY ROAD SIDINGS  
PROPOSED SECTIONS  
FOR PLANNING

Designed	W.CHAN	Signed		Date	09/12/2013
Drawn	P.NELSON	Signed		Date	09/12/2013
Checked	W.CHAN	Signed		Date	09/12/2013
Approved	D.STEER	Signed		Date	09/12/2013
Scale(s)	AS SHOWN AT A1	ELR & Mileage		VARIES	

