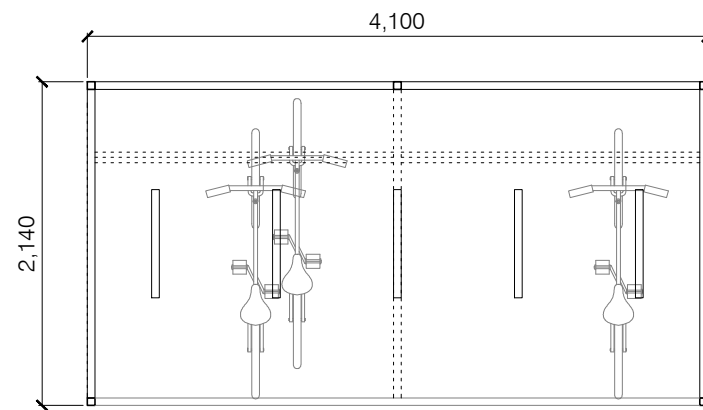


Cycle shelter front elevation

Cycle shelter side elevation

Cycle shelter section



Cycle shelter plan

Galvanised SHS frame with 4mm clear PETg UV roof cladding
Storage for up to 10 bicycles

PLANNING ISSUE

project title
*Nursing Home
Skimmingdish Lane
Bicester*

client
Maria Mallaband Care Group

drawing title
*External Cycle Shelter and
Cycle Stands*

job no. 13.12	drg no. P-D-302	rev.
---------------	-----------------	------

scale 1:50	date July 2014	sheet A3
------------	----------------	----------

omni
architects

11 Bridge Street, Bangor
County Down, BT20 5AW

E: design@omniarchitects.co.uk
W: www.omniarchitects.co.uk

T : 0044 (0)28 9185 7373
F : 0044 (0)28 9185 7374