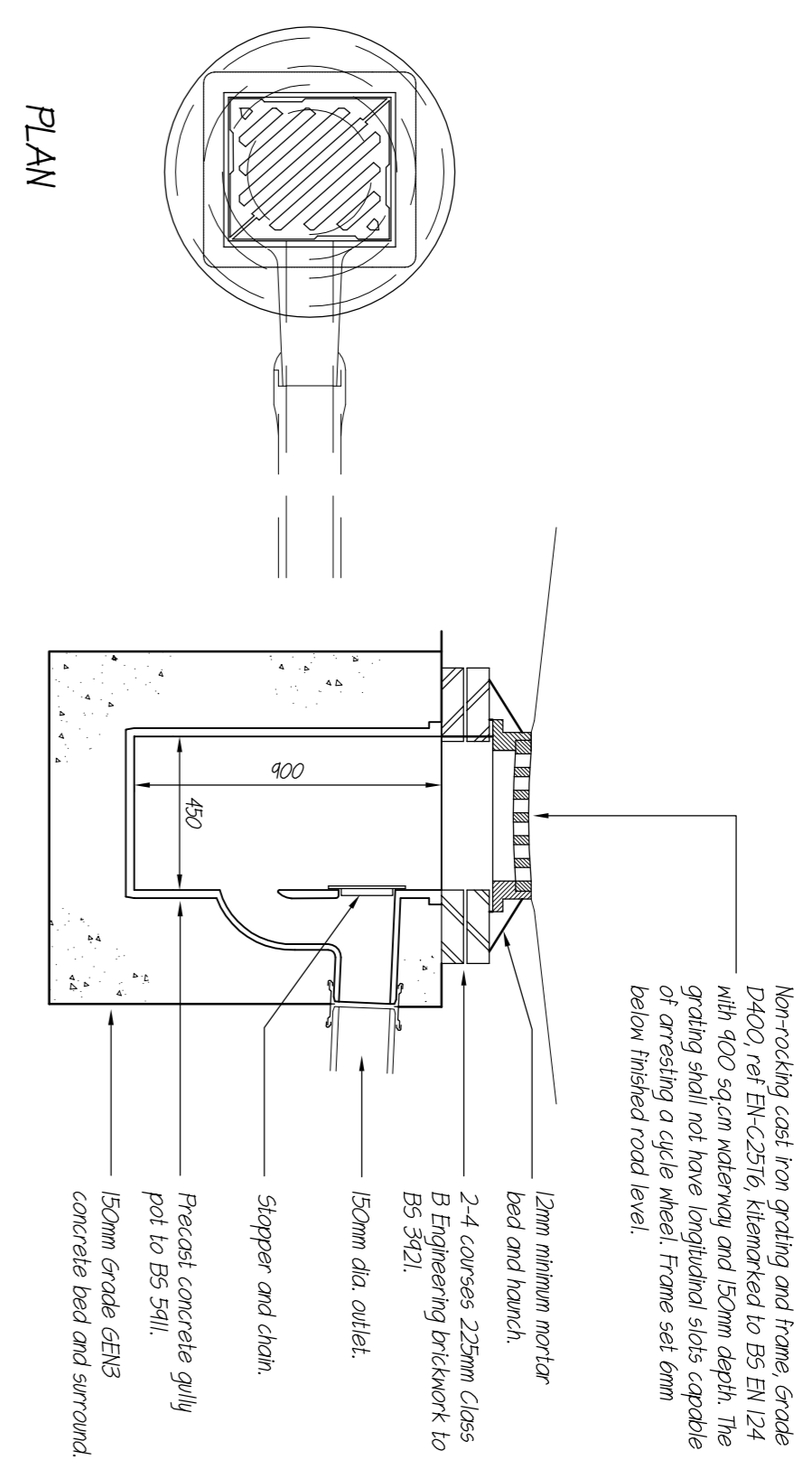
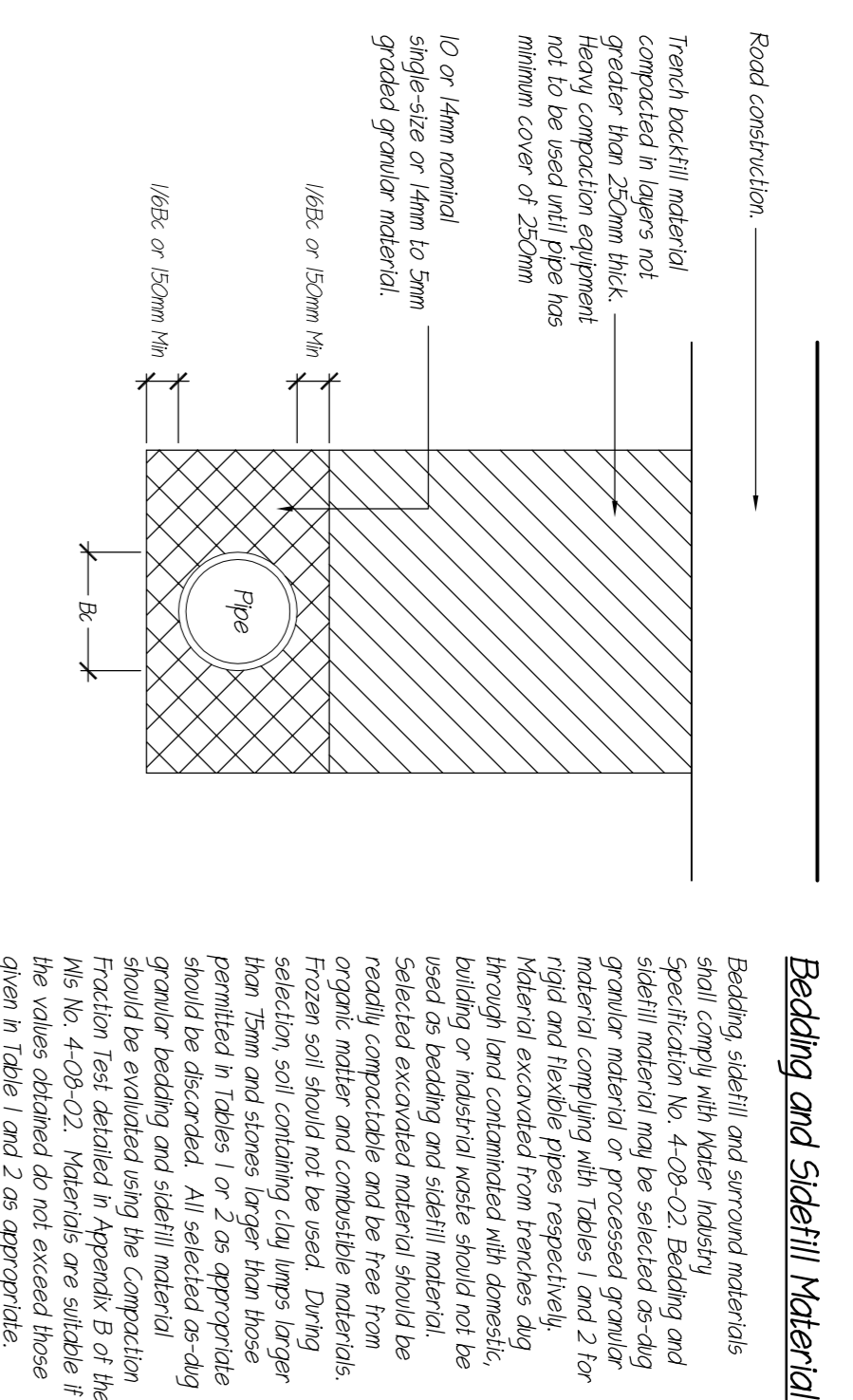


TYPICAL SOAKAWAY DETAIL



PRECAST CONCRETE TRAPPED ROAD GULLY (1:20)



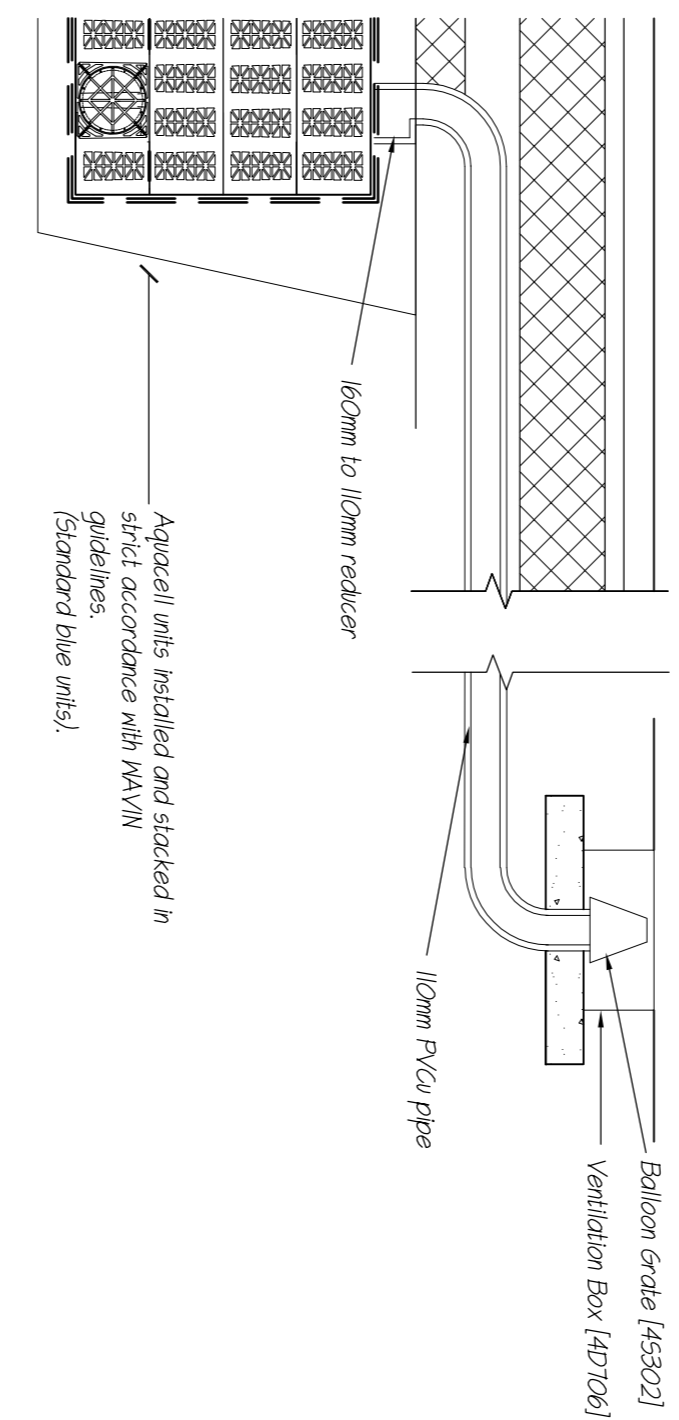
DRAINAGE PIPE BEDDING DETAIL 5 (1:25)

TABLE 2. PROCESSED GRANULAR BEDDING AND SIDEFILL MATERIALS FOR FLEXIBLE PIPES

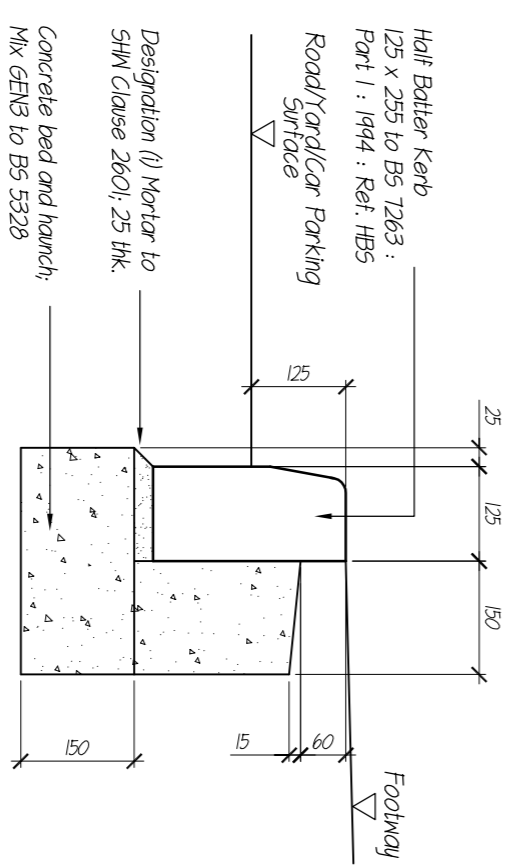
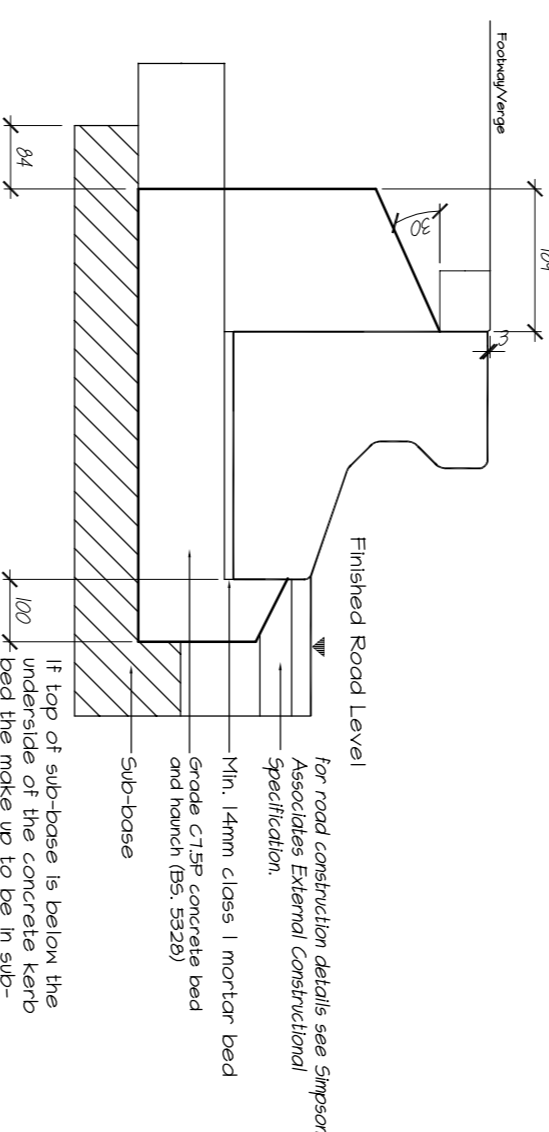
Pipe nominal bore (mm) (See note (a))	Maximum particle size (mm)	Maximum C _r value for acceptability (See note (b))	Non-pressure pipe	Pressure pipe	Materials specified in British Standards (See note (c))
100	10	0.15	0.30	0.30	10mm nominal single-size
Over 100 to 150	15	0.15	0.30	0.30	10 or 14mm nominal single-size or 14mm to 5mm graded
Over 150 to 300	20	0.15	0.30	0.30	10, 14 or 20mm nominal single-size or 14mm to 5mm graded or 20mm to 5mm graded
Over 300 to 500	20	0.15	0.30	0.30	14 or 20mm nominal single-size or 14mm to 5mm graded or 20mm to 5mm graded
Over 500	40	0.15	0.30	0.30	14, 20 or 40mm single-size or 14mm to 5mm graded or 20mm to 5mm graded or 40mm to 5mm graded

1. Processed granular materials to include aggregates to BS 882, air-cooled blast furnace slag to BS 6841 and lightweight aggregates to BS 3747.
2. Compton Fraction value (CF), see Appendix B of the IEN No. 4-08-02.
3. For the purpose of this table, PE pipes of 630mm OD can be regarded as having nominal bores of over 550mm, irrespective of wall thickness.
4. Nominal bore is used in preference to DN because of the different nominal size classification for flexible pipes.
5. For F500 and F600 polyethylene pipe complying with current relevant Water Industry Specifications, the maximum silt-in particle size may be increased to 1/8 of the pipe nominal size.
6. For 'E' values for processed granular materials reference should be made to Table A.3 of the IEN No. 4-08-02 where specific site tests have not been performed.
7. For terraced developments pipeline materials, the silt-in content of bedding and sidefill materials should not be greater than 0.8% as slipper provides.

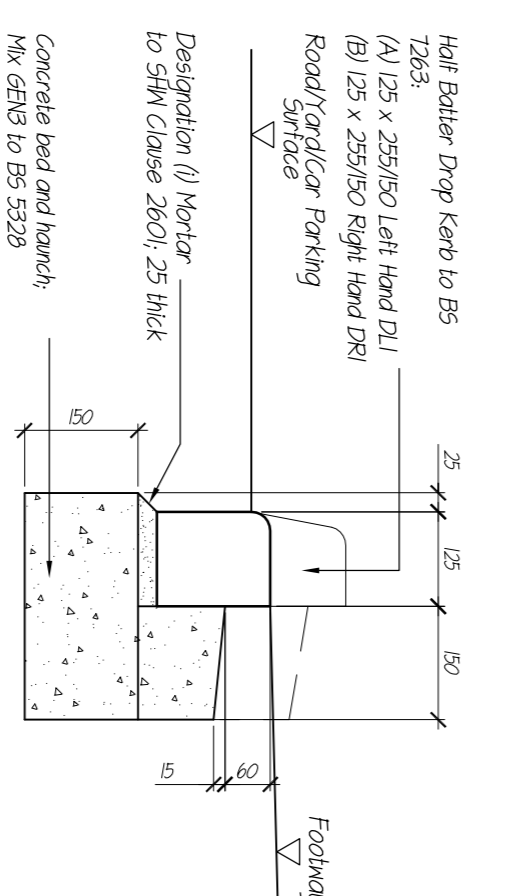
TYPICAL SOAKAWAY VENT One required per soakaway



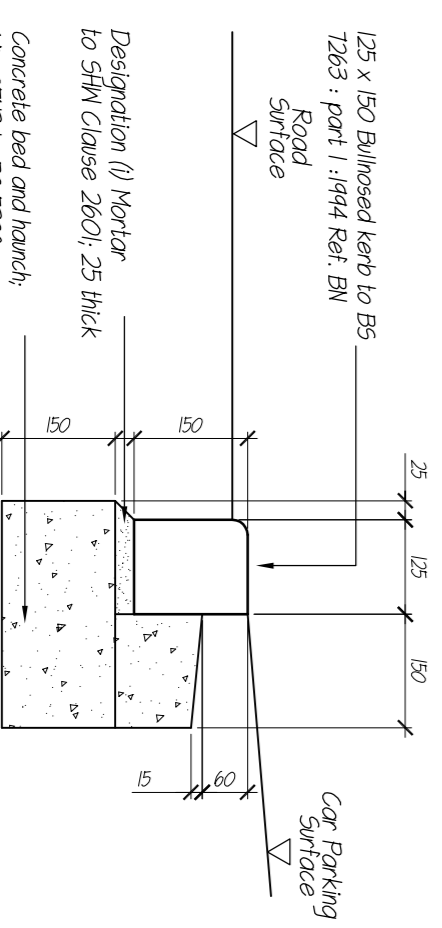
HIGH CONTAINMENT KERB DETAIL (HGV KERB)



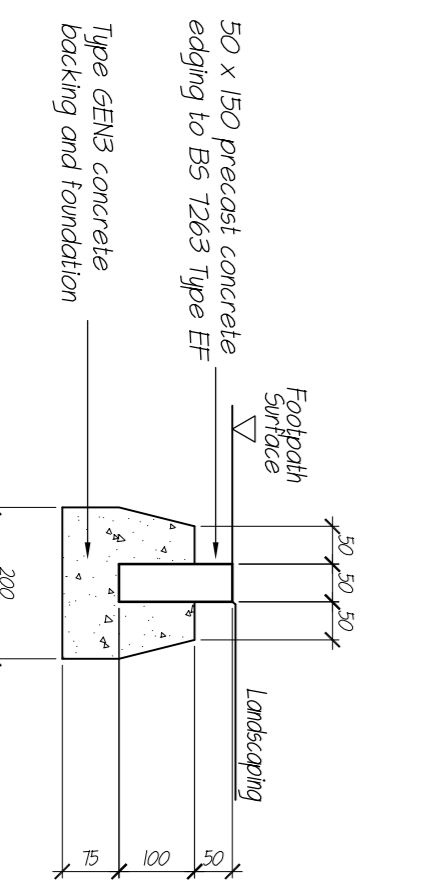
KERB TYPE HB2 - HALF BATTERED (1:10)



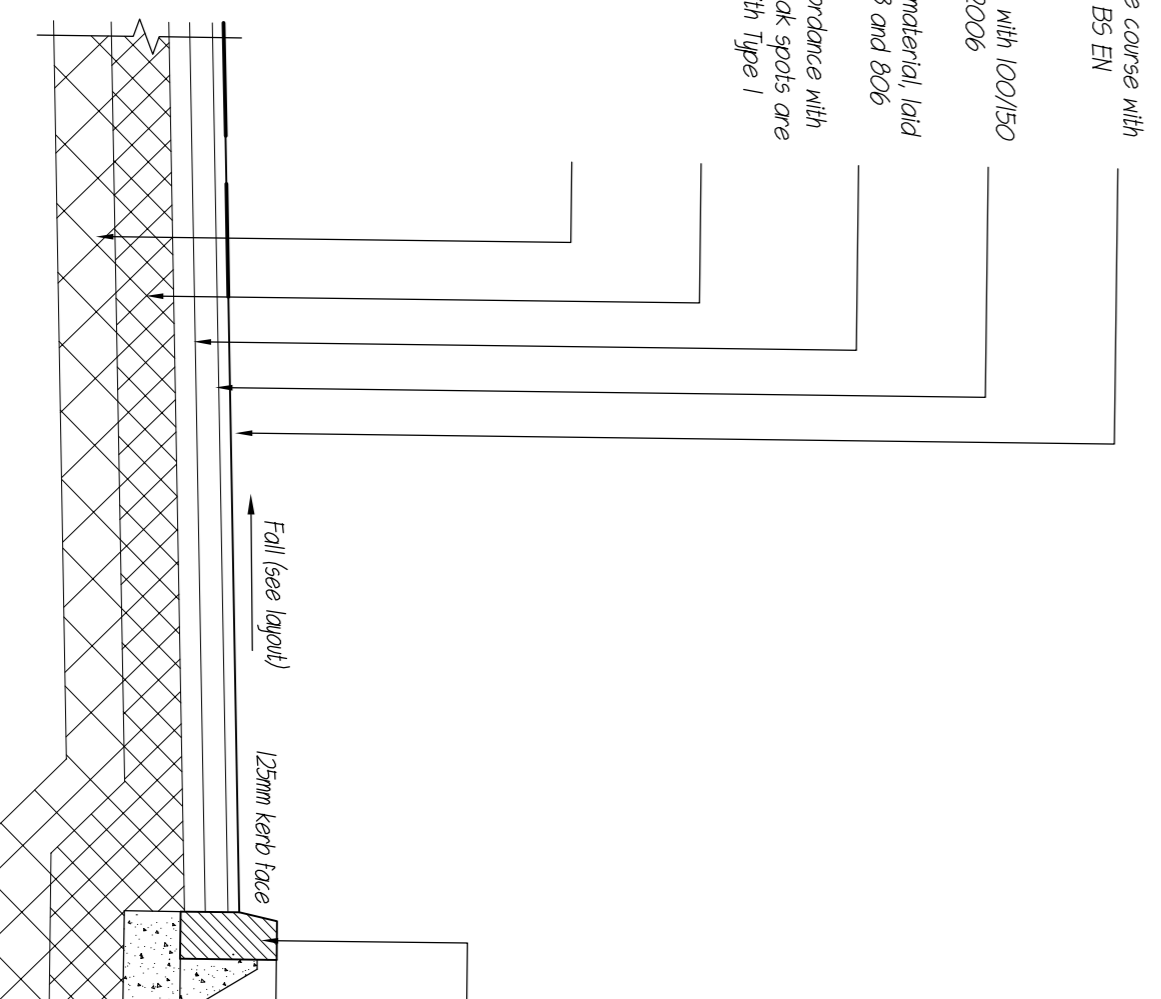
DROPPED KERB (DROPPER) DETAIL (1:10)



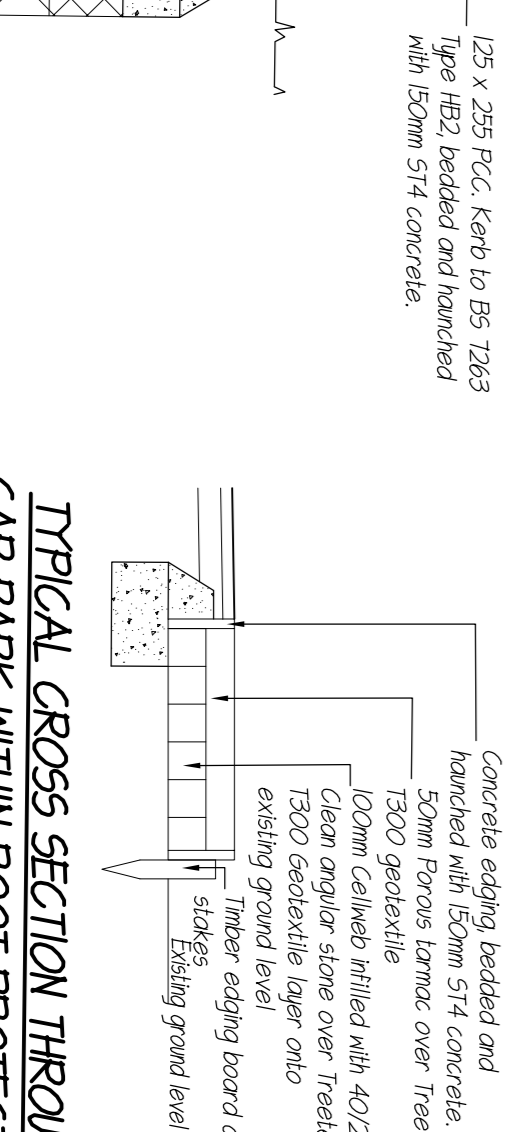
KERB TYPE BN - BULL NOSED (1:10)



KERB TYPE EF - FOOTWAY EDGING (1:10)



TYPICAL GROSS SECTION THROUGH CAR PARKING (1:20)



TYPICAL GROSS SECTION THROUGH CAR PARK WITHIN ROOT PROTECTION ZONE (1:20)

GENERAL NOTES

- This drawing to be read in conjunction with all relevant architect, engineers and contractors drawings and details.
- The contractor should check and verify all dimensions and levels including invert levels, on site, prior to commencing work, no dimensions to be scaled from these drawings.
- All workmanship, materials and loadings must be in strict accordance with the latest editions of the British Standards codes of practice, building regulations, and manufacturers specifications and recommendations.
- Refer to Architects drawings for details of all pointing types & patterns, soil landscaping, lawns, gates & kerbs.
- For lighting service supplies & ducting requirements refer to site drawings.
- All materials (including sub-grade) within 450mm of the finished road surface shall be non-rost susceptible where the sub-grade occurs within 450mm of the finished road surface. It shall be tested for frost susceptibility, if it is found to be so, then in accordance with clause 105 of the specification for highway works, it shall be removed and replaced with suitable non-frost susceptible material.
- All non-hardstanding areas to be as architect's drawings.
- The contractor is advised to stich himself of existing ground levels in the vicinity of the works.

PRELIMINARY FOR COMMENTS NOT TO BE USED FOR CONSTRUCTION

NO.	REVISION	BY	DATE
P4	REVISED SPECIFICATIONS	RD	16/07/19
P3	CAR PARK CONSTRUCTION OVER REV. 02/20	RD	15/07/19
P2	CAR PARK SPECIMENS SENT, REVISED	RD	19/07/19
P1	REVISION NUMBER 05/18	EP	16/04/19

DRAWING TITLE
CAR PARK SECTIONS AND DETAILS

CONTRACT
LANTON ROAD
BICESTER

SIMPSON ASSOCIATES
CONSULTING ENGINEERS LLP
L4-8110
BETHUNGE COURT, BICESTER PARK
CHICHESTER GU24 7LZ
01243 820014
GENERAL ENQUIRIES: 01243 820014
E-MAIL: info@simpsonassociates.co.uk



Checklist for Client/Contractor and Designer/Contractor
DATE: 02/20
DATE: JUNE 2019
C20712.102
Rev 0/4