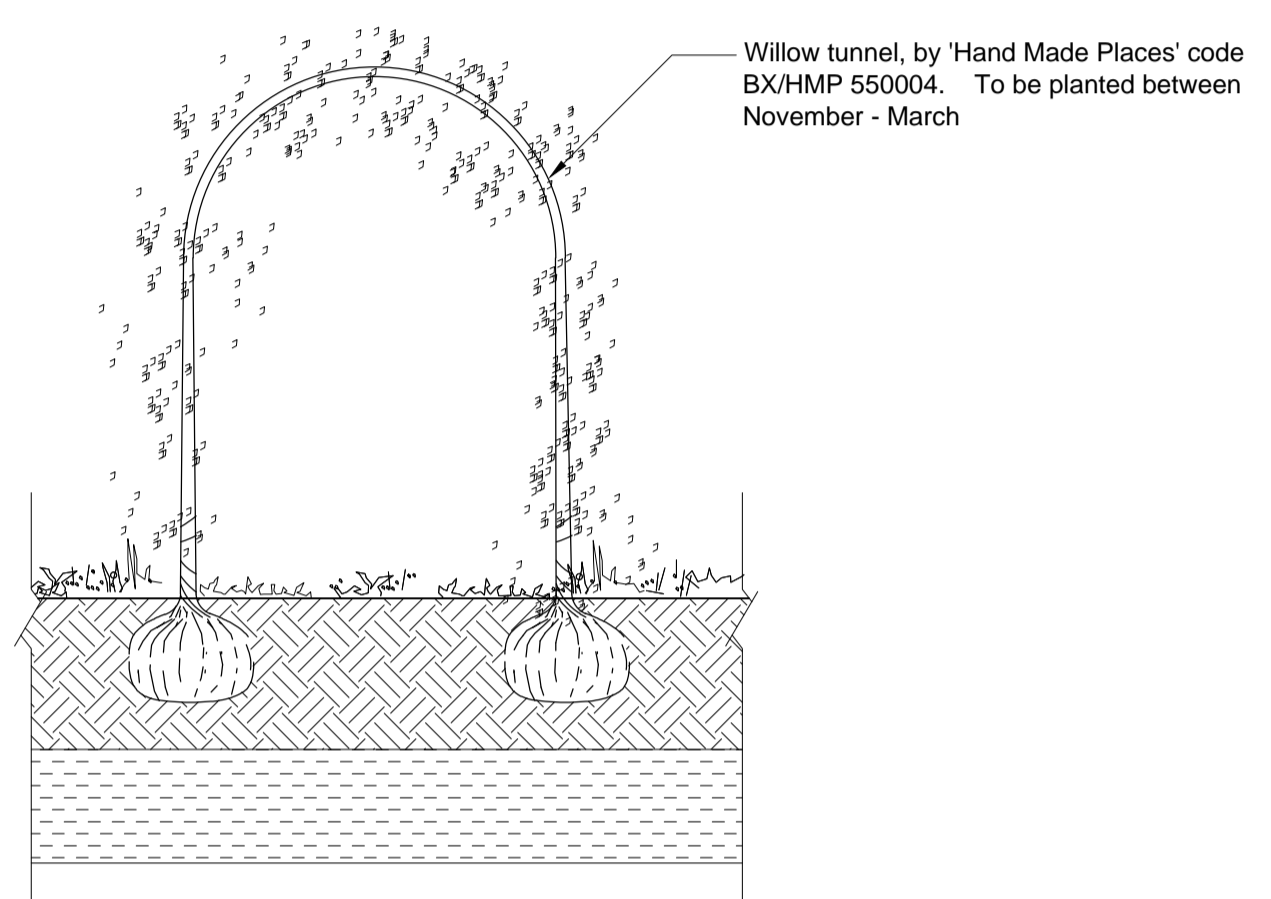
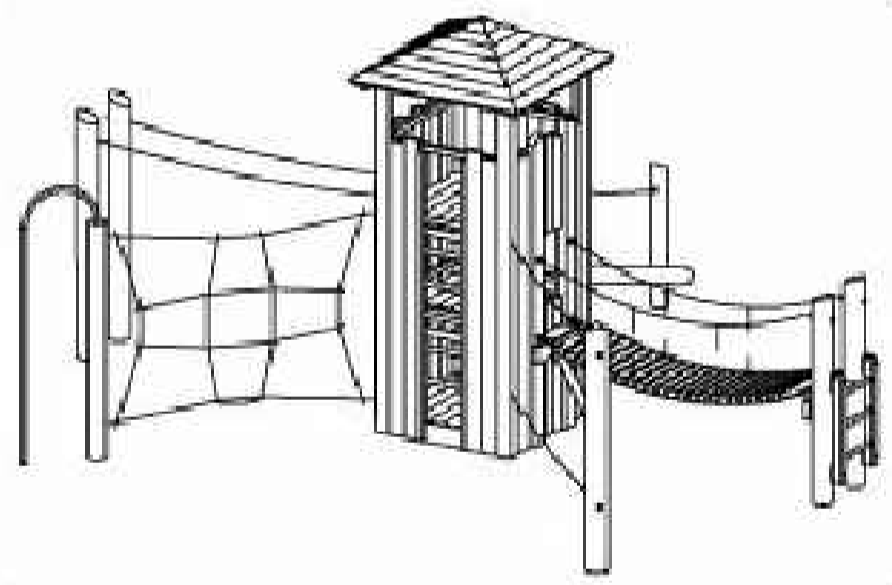


01 Stepping logs details
1:20



02 Willow tunnel section
1:20

2.33000 Tower Combination 33



Order Number
2.33000

Designer
Richter Spielgeräte

Product-PDF
Not available.

Certificates
[TUEV_Zert_Reg_02.pdf \(719.0 KB\)](#)

Maintenance Documents
[W2.33000En-EN.pdf \(322.0 KB\)](#)

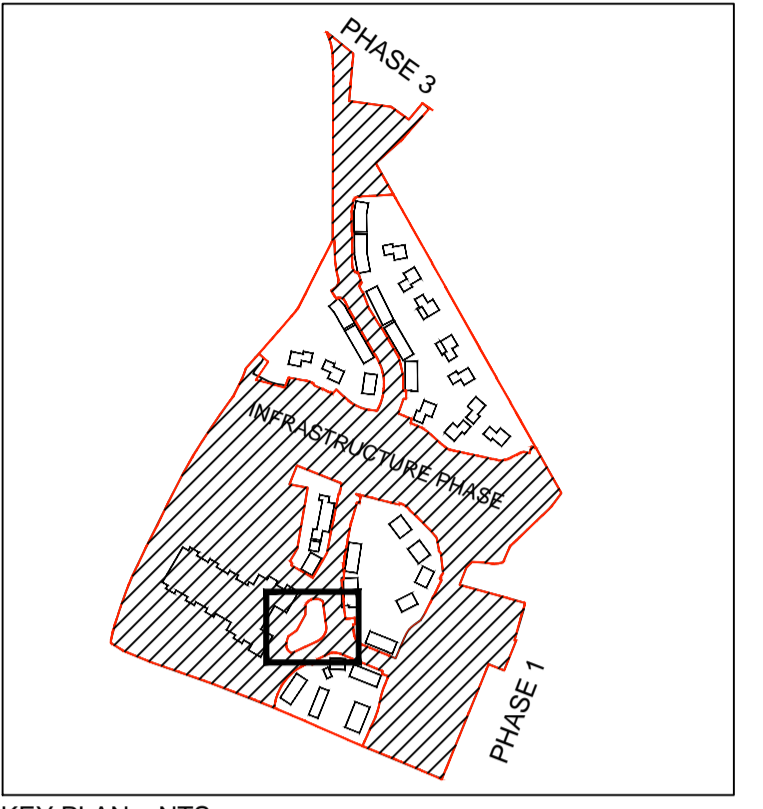
- KEY**
- Boundary line
 - Area by others
- PAVING TYPES**
- P1 Permeable concrete block paving Marshalls Myriad Piora 100x200x80mm. Colour - Morning Light. Pattern herringbone
 - P2 Permeable concrete block paving Marshalls Myriad Piora 200x200x80mm. Colour -Midnight. Pattern Random coarse
 - P3 Concrete flag paving Marshalls Renaissance 450x450x50mm - Colour Chalkstone (impermeable)
 - P4 Marshalls Pendle Riven buff slabs, in rear gardens 600x600mm (impermeable)
 - P5 Self binding gravel, amber gold colour
 - P6 Tarmac
 - P7 Resin bound gravel barley beach colour
 - P8 Wetpour safety surface colour dark blue, with lip rubber kerb to edge
- PLAY**
- Timber Play Tower Combination 33. Product ref: 2.33000. Includes: Vertical climbing net with firemen's pole, Double hanging rope, Inclined balancing beam, Suspension bridge, Balancing rope with holding rope
 - Timber stepping logs by Playdale or similar approved. Ref: Log walk Product code :AT(D8)
 - Bench, broxap Medway Seat BX14 4026
 - Willow tunnel, by 'Hand Made Places' code BX/HMP 550004. To be planted between November - March
 - Edible sensory planting

notes

- The contractor is responsible for checking dimensions, tolerances and references. Any discrepancy to be verified with the Architect before proceeding with the works.
- Where an item is covered by drawings to different scales the larger scale drawing is to be worked to.
- Do not scale drawing. Figured dimensions to be worked to in all cases.

CDM Regulations 2015

ALL current drawings and specifications for the project must be read in conjunction with the Designer's Hazard and Environmental Assessment Record.



| date | rev | revision/author/checker |
|------|-----|-------------------------|
|------|-----|-------------------------|

| |
|--|
| purpose of issue PLANNING |
| project Bicester Eco Town Exemplar Site, Phase 2 |
| drawing Play area |

| | |
|----------------------------------|-----------------|
| drawing no AL4908-2107 | rev - |
| drawn MQ | checked AGF |
| scale @ A1 1:100 | date Dec '16 |