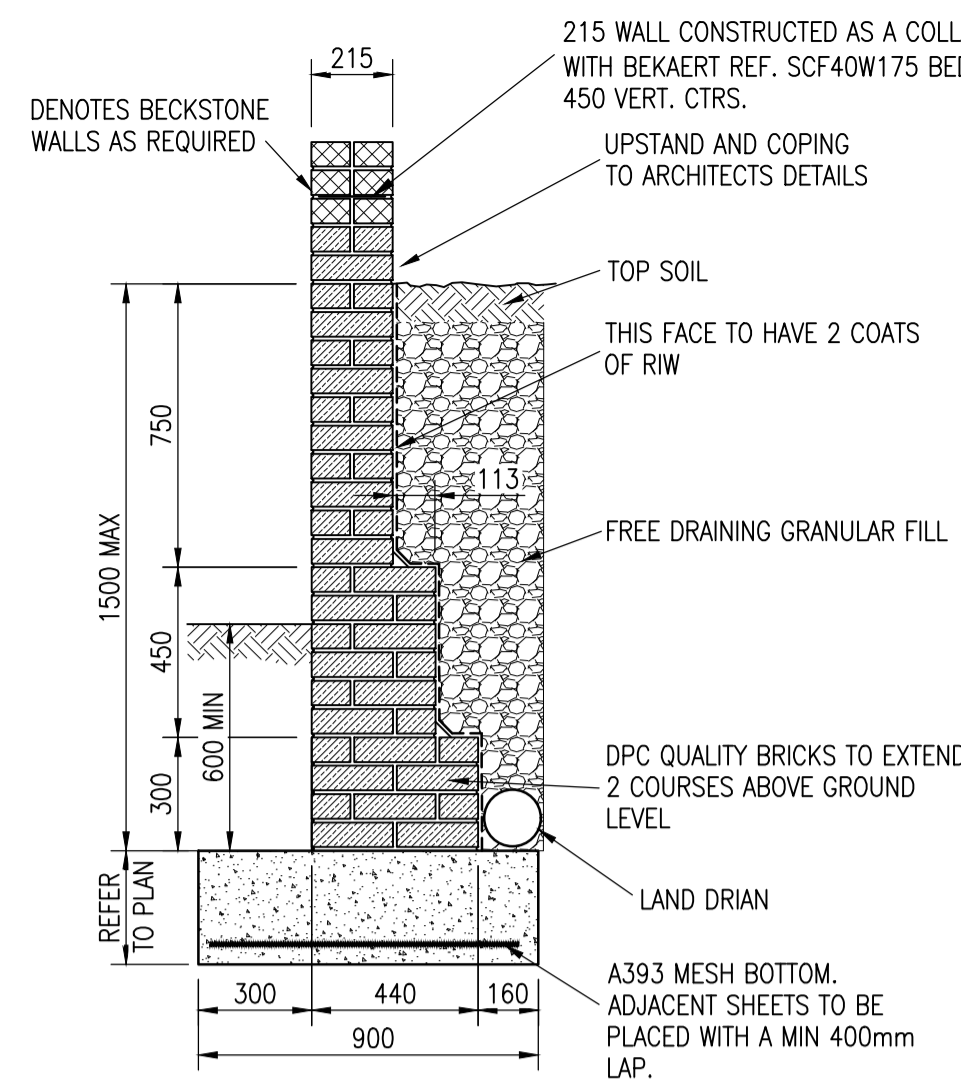
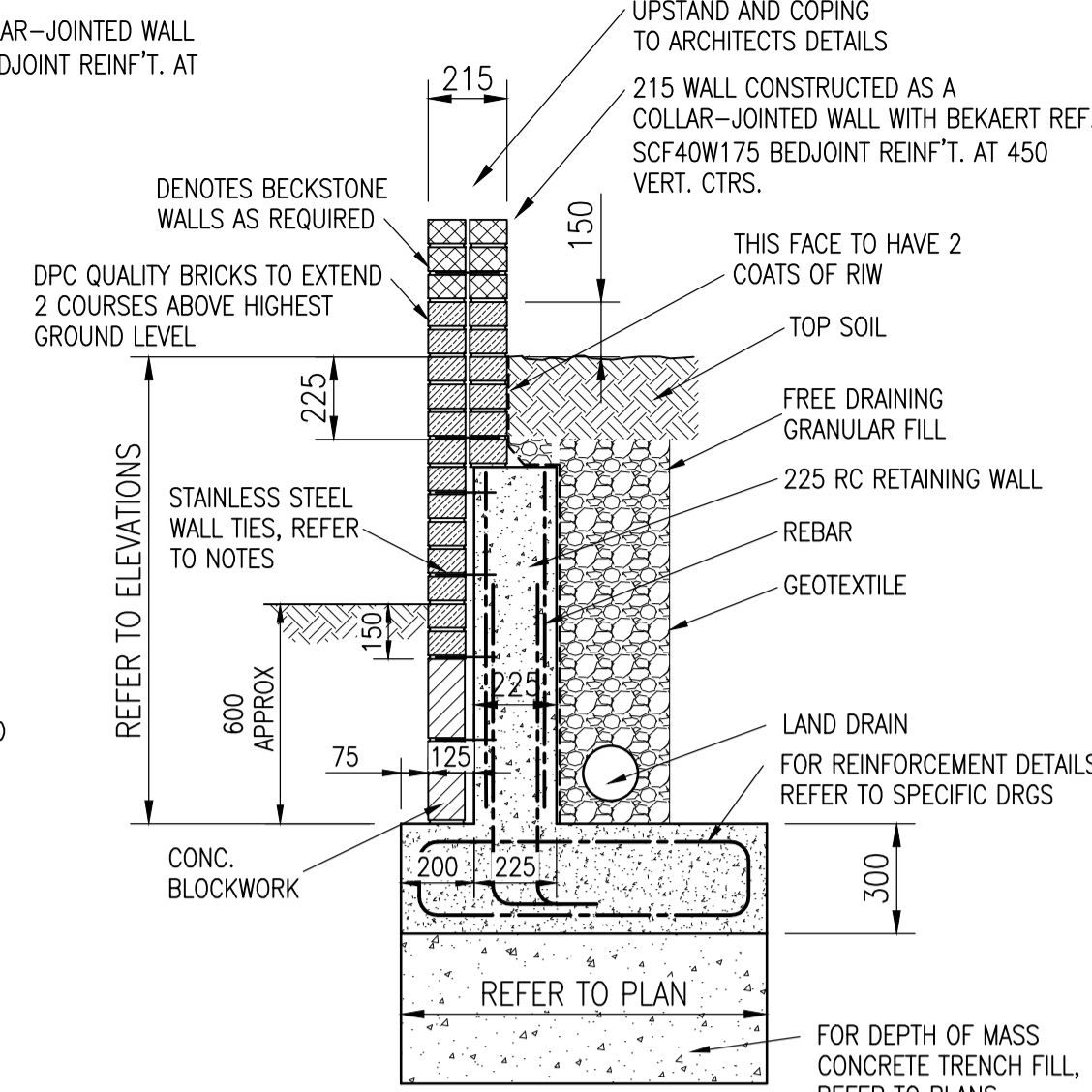


RETAINING WALL TYPE B
RETAINED HEIGHT LESS THAN
1050mm
 (SCALE 1:20)

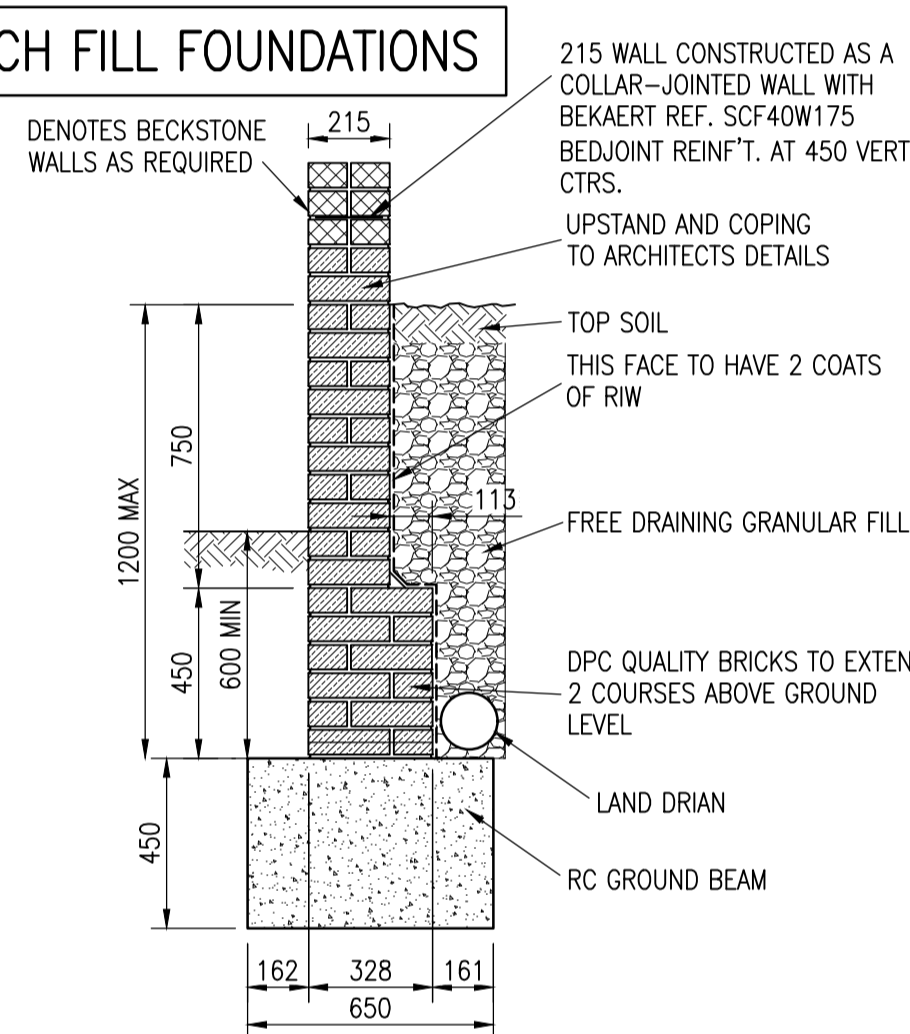


RETAINING WALL TYPE C
RETAINED HEIGHT LESS THAN
1350mm
 (SCALE 1:20)

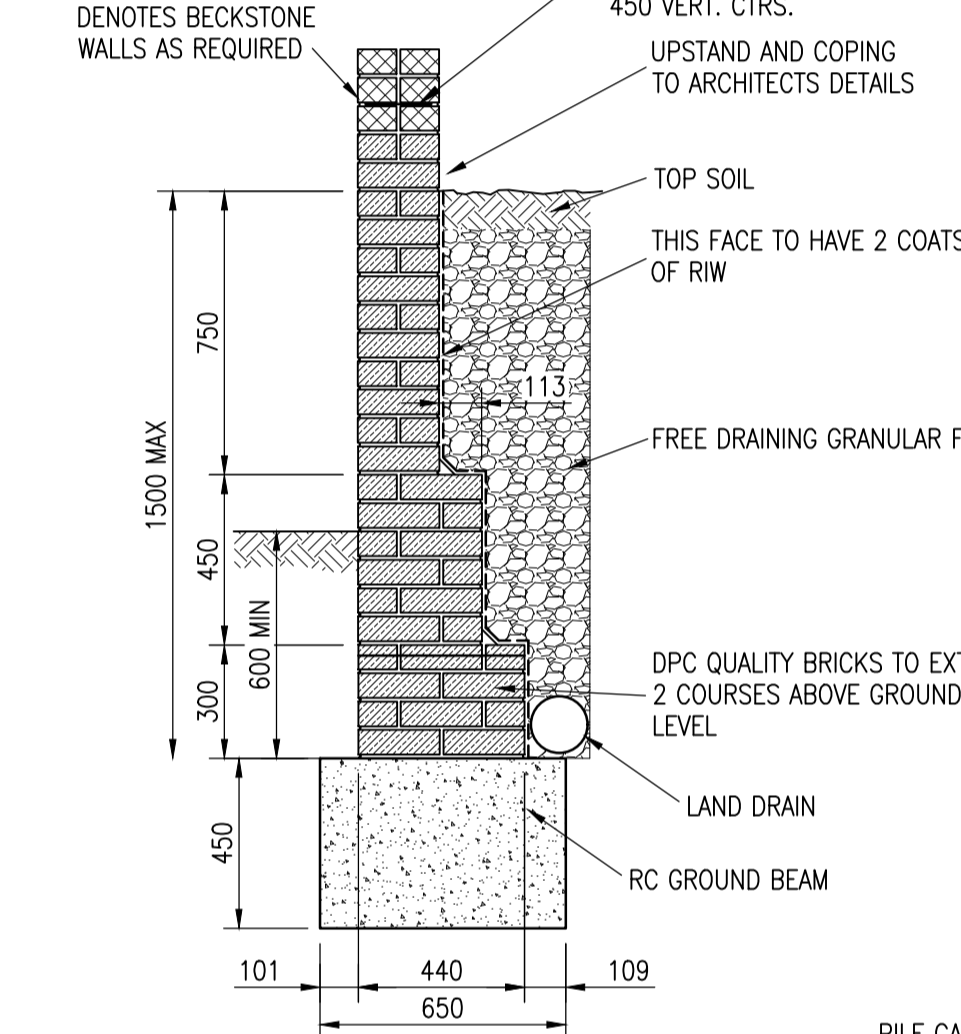


AREA 5
 (SCALE 1:20)

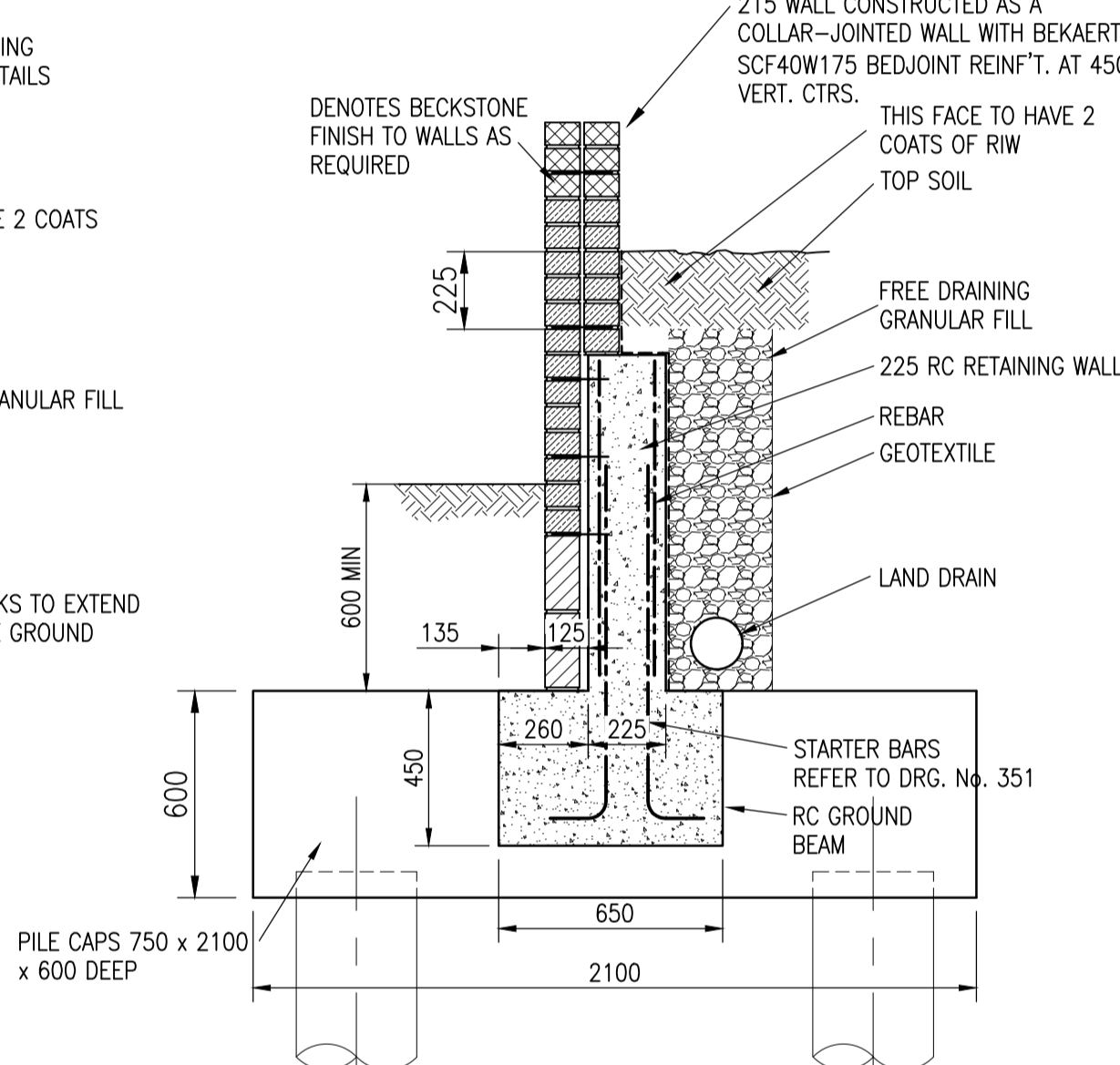
TRENCH FILL FOUNDATIONS



RETAINING WALL TYPE B
RETAINED HEIGHT LESS THAN
1050mm
 (SCALE 1:20)



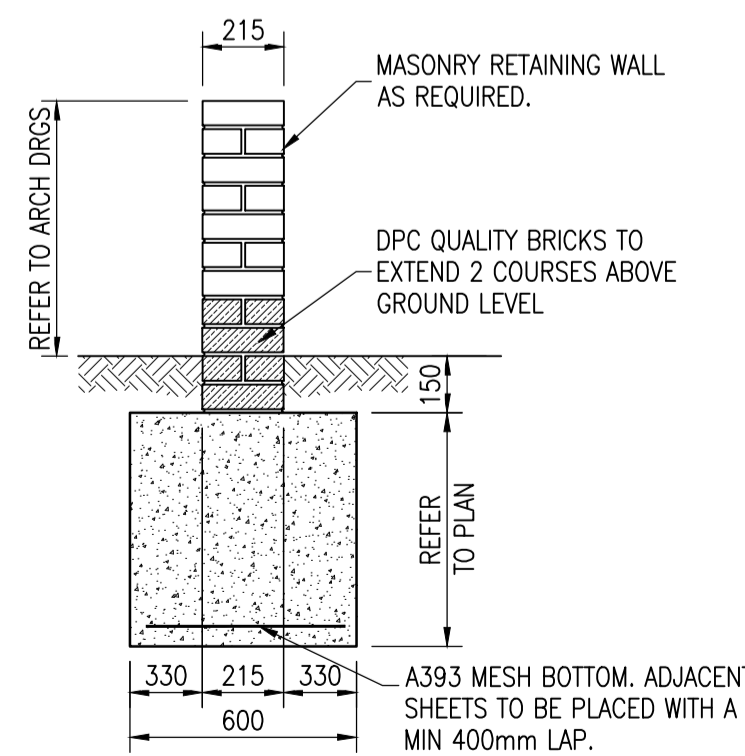
RETAINING WALL TYPE C
RETAINED HEIGHT LESS THAN
1350mm
 (SCALE 1:20)



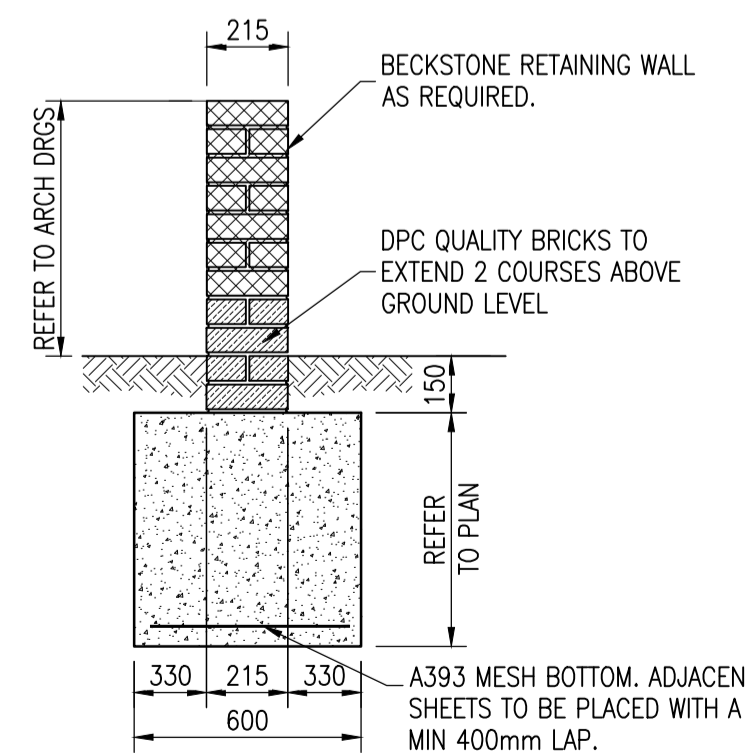
RETAINING WALL TYPE E
 (SCALE 1:20)

GROND BEAMS/PILED FOUNDATIONS

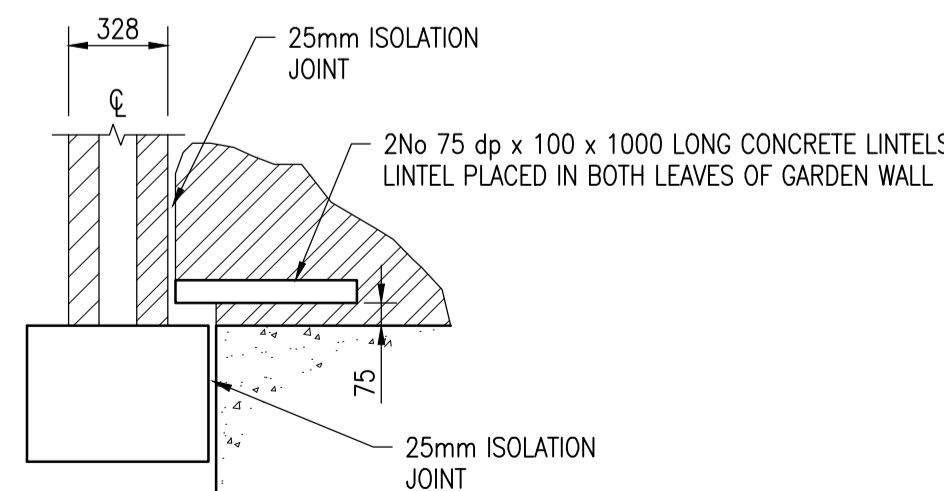
FOUNDATIONS MAY BE OFFSET AT BOUNDARY.
 MAXIMUM SPACING BETWEEN M.J. TO BE 6m
 IN BRICKWORK/BECKSTONE



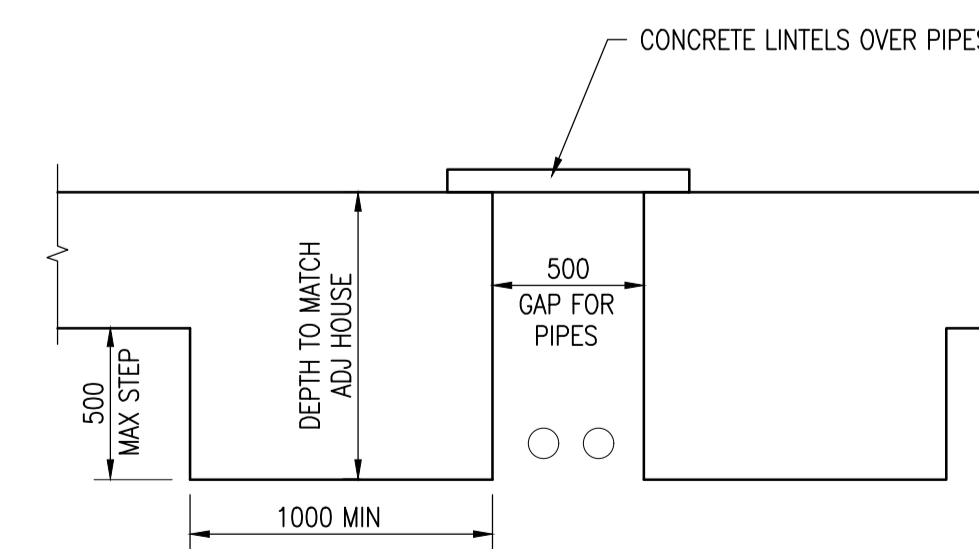
TYPE G
TYPICAL GARDEN
(BRICKWORK) WALL
 (SCALE 1:20)



TYPE G
TYPICAL GARDEN
(BECKSTONE) WALL
 (SCALE 1:20)



TYPICAL DETAIL ABUTING
CAVITY WALL
 SCALE 1:25



DETAIL 'W'
TYPICAL DETAIL OF RETAINING WALL
FOUNDATION AT LOCATION OF HEATING PIPES
 SCALE 1:25

- DO NOT SCALE THIS DRAWING. IF IN DOUBT ASK.
- THIS DRAWING IS TO BE READ IN CONJUNCTION WITH ALL RELEVANT ARCHITECTS, ENGINEERS AND SPECIALISTS DRAWINGS AND SPECIFICATIONS.
- ALL DIMENSIONS IN MILLIMETRES UNLESS NOTED OTHERWISE. ALL LEVELS IN METRES UNLESS NOTED OTHERWISE.
- ANY DISCREPANCIES NOTED ON SITE ARE TO BE REPORTED TO THE ENGINEER IMMEDIATELY.
- THE BOTTOM OF ALL FOUNDATIONS ARE TO BE INSPECTED AND APPROVED BY BUILDING CONTROL BEFORE PLACING CONCRETE.
- ALL FOUNDATIONS ARE TO BE CENTRED ON THE CENTRE LINES OF WALLS UNLESS NOTED OTHERWISE.
- THE FOLLOWING CONCRETE MIXES ARE TO BE USED IN ACCORDANCE WITH BS 8500: PART 1, 2006, (ASSUMING THE SITE CLASSIFICATION AS IN NOTE No. 6 ABOVE) :-

LOCATION	MIX REFERENCE
PLAIN CONC. FOUNDNS	CEN1
R.C. FOUNDNS	RC28/35
BLINDING	CEN1
CONCRETE INFILL	RC20/25, 10mm AGG

- ALL CONCRETE MIX CERTIFICATES SHALL BE APPROVED BY THE ENGINEER PRIOR TO COMMENCEMENT OF WORK ON SITE. STANDARD CUBES SHALL BE TAKEN FOR COMPRESSIVE STRENGTH TESTING. ONE SET OF 3 CUBES SHALL BE TAKEN FOR EACH 20m³ OF CONCRETE PLACED, OR LESS PER DAY. ONE CUBE IS TO BE TESTED AT 7 DAYS, AND THE REMAINING 2 AT 28 DAYS.
- THE BASE SPECIFICATION FOR STRUCTURAL MASONRY SHALL BE BS5628 'CODE OF PRACTICE FOR USE OF MASONRY'. IN ADDITION, REFERENCE SHALL BE MADE TO THE ARCHITECTS MASONRY SPECIFICATION AND ASSOCIATED DRAWINGS.
- ALL BLOCKWORK IS TO HAVE A MINIMUM STRENGTH OF 10.4 N/mm². ALL BRICKWORK TO HAVE A MINIMUM STRENGTH OF 20N/mm², AND A MAXIMUM WATER ABSORPTION OF 12%. ALL DPC QUALITY BRICKWORK TO BE DPC1 OR DPC2 TO BS 3921.
- ALL MASONRY TO BE LAID USING ORDINARY PORTLAND CEMENT:LIME:SAND MORTAR. ALL MORTAR TO BE 1:0-1/3.
- APPROPRIATE CERTIFICATION, INCLUDING LABORATORY TEST RESULTS, MUST BE PROVIDED TO THE ENGINEER FOR ALL MASONRY UNITS AND PRE MIXED MORTAR PRIOR TO THE COMMENCEMENT OF WORK ON SITE.
- FOR SITE BATCHED MORTAR, CUBES SHALL BE PREPARED AND CRUSHED AT INTERVALS AS OUTLINED IN THE SPECIFICATION. THE RESULTS OF SUCH TESTS SHALL BE COMPARED AGAINST TABLE 1 OF BS 5628 FOR ACCEPTANCE.
- LOW-LEVEL DPC
RETAINING WALL FROM TOP OF FOUNDATION TO 2 No. COURSES ABOVE GROUND LEVEL IS TO BE CONSTRUCTED IN DPC1 OR DPC2 QUALITY BRICKWORK.
- HIGH-LEVEL DPC
DPC & COPINGS TO ARCH.'S DETAILS.
- TO AVOID EXCESSIVE LOADS ON FRESH MORTAR, DO NOT EXCEED LIFTS OF 1.5m PER DAY.
- UNLESS OTHERWISE SPECIFIED, THE MINIMUM EMBEDMENT OF WALL TIES SHALL BE 50mm.
- ALL WEEPHOLES TO BE 50mm DIAMETER @ 2.0m c/c, LOWER END 150mm ABOVE GROUND LEVEL. AFTER CONSTRUCTION, WEEPHOLES ARE TO BE KEPT CLEAR & FREE FROM OBSTRUCTIONS.
- WATERPROOFING.
PROVIDE 2 NO. COATS OF BITUMINOUS EMULSION TO THE RETAINED FACE OF WALLS. BOTH COATS TO EXTEND UP TO THE COPING. USE 'LIQUID ASPHALTIC COMPOUND', OR SIMILAR. PROTECT WATERPROOFING WITH FIBRE BOARD, OR SIMILAR, BEFORE BACKFILLING.
- BACKFILLING
THE DRAINAGE LAYER, (BEHIND THE RETAINING WALL), SHOULD BE A FREE-DRAINING GRANULAR FILL, LIGHTLY COMPACTED, 450mm WIDE, (MIN.). THE DRAINAGE LAYER SHOULD BE SEPARATED FROM THE GENERAL BACKFILL BY A GEOTEXTILE FILTER FABRIC. USE TERRAM, OR SIMILAR.
- ALLOW 28 DAYS FOR THE MORTAR TO SET BEFORE BACKFILLING.
- MOVEMENT JOINTS
MOVEMENT JOINTS TO BE FULL HEIGHT, 16mm WIDE @ 10.0m c/c, AND WITHIN 6.0m OF A RETURN. TIE ACROSS THE JOINT WITH TIED SLEEVES AS NECESSARY. FILLER AND SEALANT TO ARCH.'S DETAILS.

NOTES

REV	DATE	DESCRIPTION	BY	CHK
C3	02.11.16	WALL TYPES D & E MAX HEIGHT REMOVED.	AC	NG
C2	29.09.16	ADDITIONAL DIMS ADDED TO CONCRETE WALL SECTIONS	AC	NG
C1	30.08.16	ISSUED FOR CONSTRUCTION. LAND DRAIN ADDED & LEVEL OF FILL UPDATED	BC	AC
T1	29.04.16	ISSUED FOR TENDER	GS	AC

REV	DATE	DESCRIPTION	BY	CHK
C3	02.11.16	WALL TYPES D & E MAX HEIGHT REMOVED.	AC	NG
C2	29.09.16	ADDITIONAL DIMS ADDED TO CONCRETE WALL SECTIONS	AC	NG
C1	30.08.16	ISSUED FOR CONSTRUCTION. LAND DRAIN ADDED & LEVEL OF FILL UPDATED	BC	AC
T1	29.04.16	ISSUED FOR TENDER	GS	AC

CONSTRUCTION ISSUE
SUBJECT TO BLDG REGS APPROVAL
This drawing is the property and copyright of the Consulting Engineer and shall not without written consent be communicated to a third party.



BICESTER ECO TOWN
PHASE 2

Retaining Wall
Details, Sht 1

SDP CONSULTING ENGINEERS
 Head Office, Suite 3, Salar House, Campfield Road, St Albans, Hertfordshire, AL1 5HT. Tel: 01727 844606. Fax: 01727 830771. Email: mail@sdpce.co.uk
 Southern Office, 21a Bargates, Christchurch, Dorset, BH23 1QD. Tel: 01727 844606. Fax: 01202 490601. Email: mail@sdpce.co.uk

SCALE	DRAWN	DATE
1:50 @ A1	G.S.	APR'15
	CHECKED	PREPARED
	A.C.	N.G.
DRAWING NO.	REV.	
E15-070-235		C3