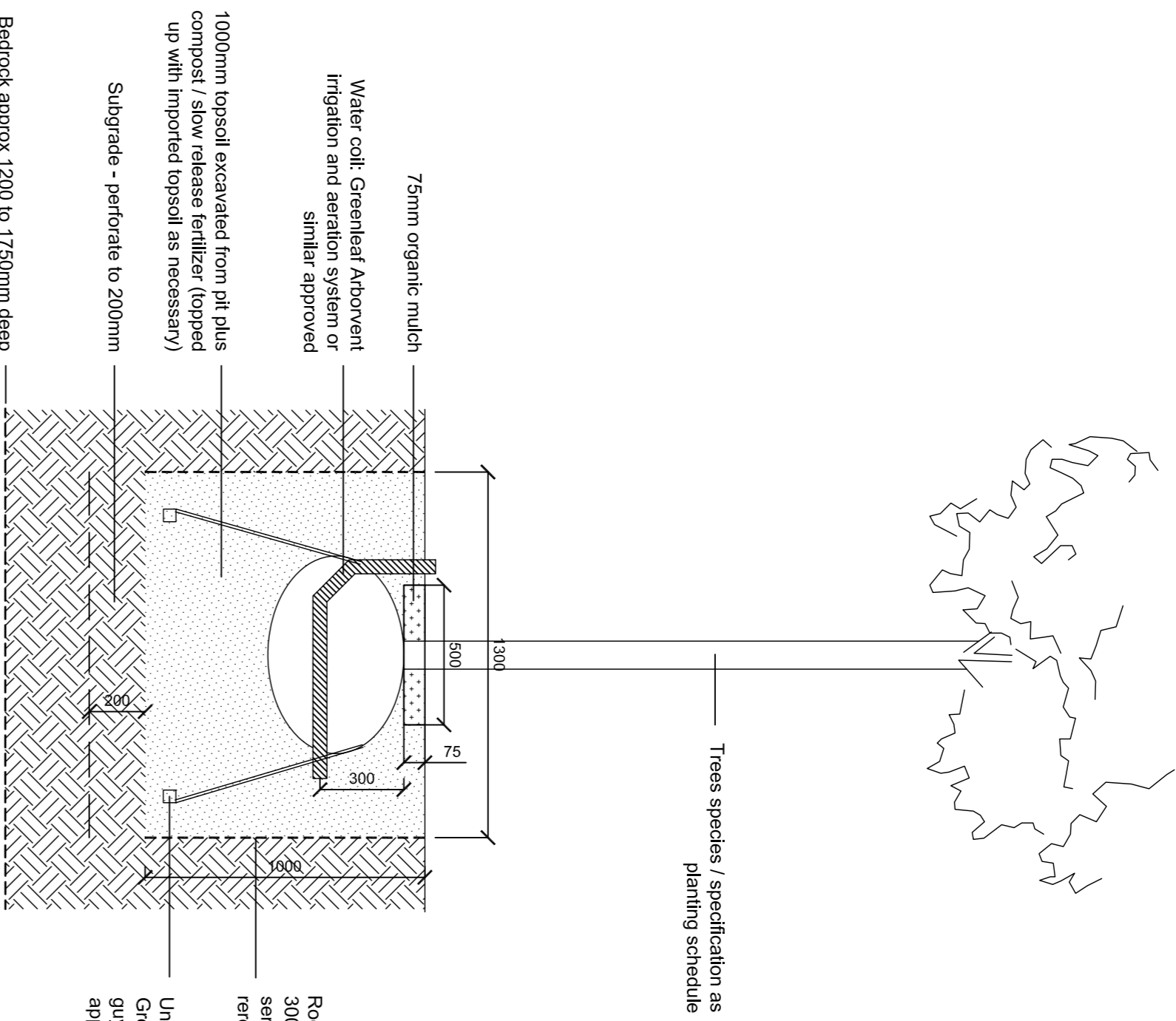


All Construction to Manufacturers' recommendations
All supplier details are or similar approved
For details of pit locations see drawings UA001881-701-114 to 116

Greenleaf Naturelle

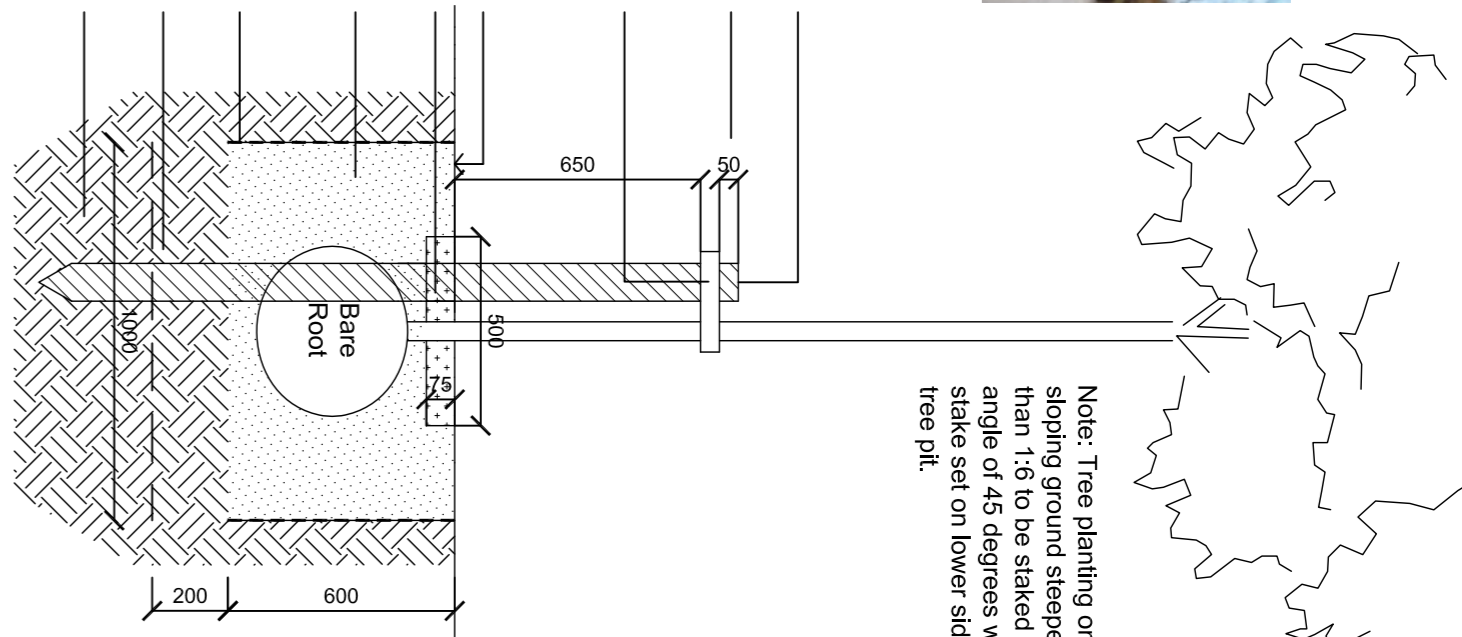


Note: Tree planting on sloping ground steeper than 1:6 to be staked at an angle of 45 degrees with stake set on lower side of tree pit.



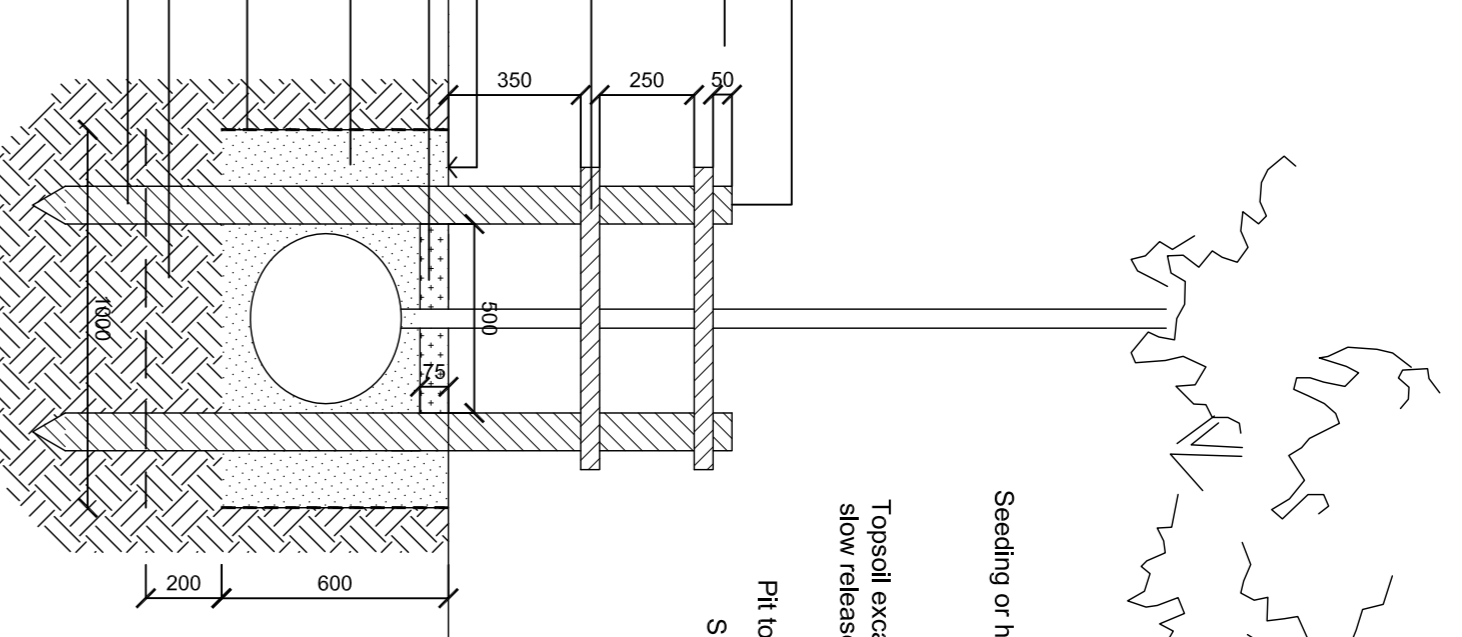
TP-S-A Tree pit detail: Soft landscaped areas where trees exceed 'Standard' size - see Planting Schedules UA001881-701-1102 & 1103

Tree felling to be within 50mm of top of stake
Single stake 100mm dia to be no higher than a third of the height of clear stem
Stake set on prevailing wind side of tree
Secured by Greenleaf Naturelle or similar approved
Seeding or herbaceous/shrub planting see planting plans for details
75mm organic bark mulch
600mm topsoil excavated from pit plus compost / slow release fertilizer (topped up with site excavated topsoil)
Root Barrier if free pit within 3000mm of underground services or kerbs - Greenleaf retool 1000 or similar approved
Subgrade - perforate to 200mm
Stake driven 300mm below bottom of perforated ground

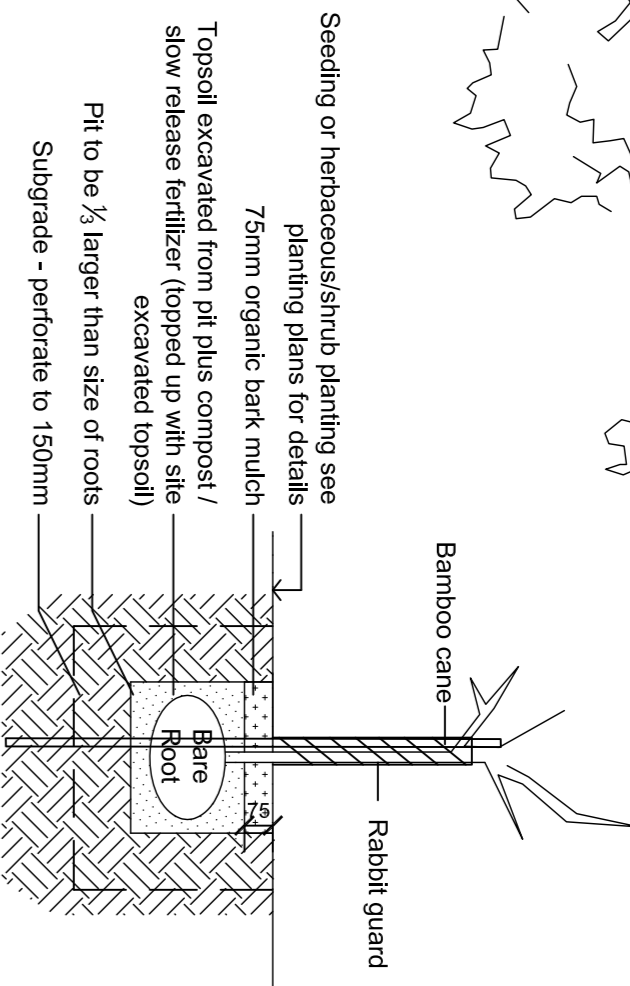


TP-S-B Tree pit detail: Soft landscape areas for bare root trees not exceeding 'Standard' size - see Planting Schedules UA001881-701-1102 & 1103

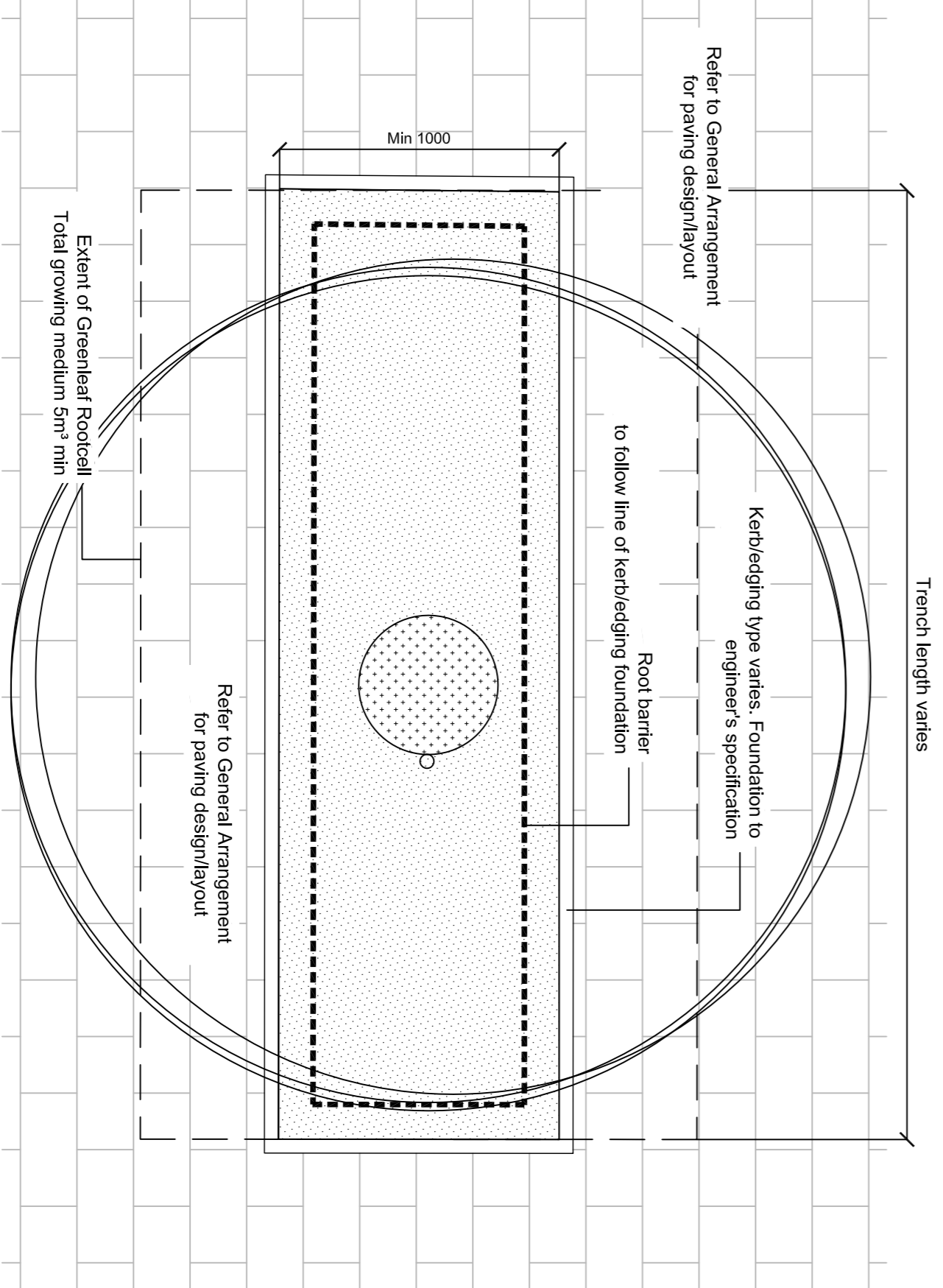
Tree felling to be within 50mm of top of stake
Double stake 100mm dia to be no higher than a third of the height of clear stem
Secured centrally by 2 sets of supporting bands of fine hose or equivalent webbing min width 70mm
Seeding or herbaceous/shrub planting see planting plans for details
75mm organic bark mulch
900mm topsoil excavated from pit plus compost / slow release fertilizer (topped up with site excavated topsoil)
Root Barrier if free pit within 3000mm of underground services or kerbs - Greenleaf retool 1000 or similar approved
Subgrade - perforate to 200mm
Stake driven 300mm below bottom of perforated ground



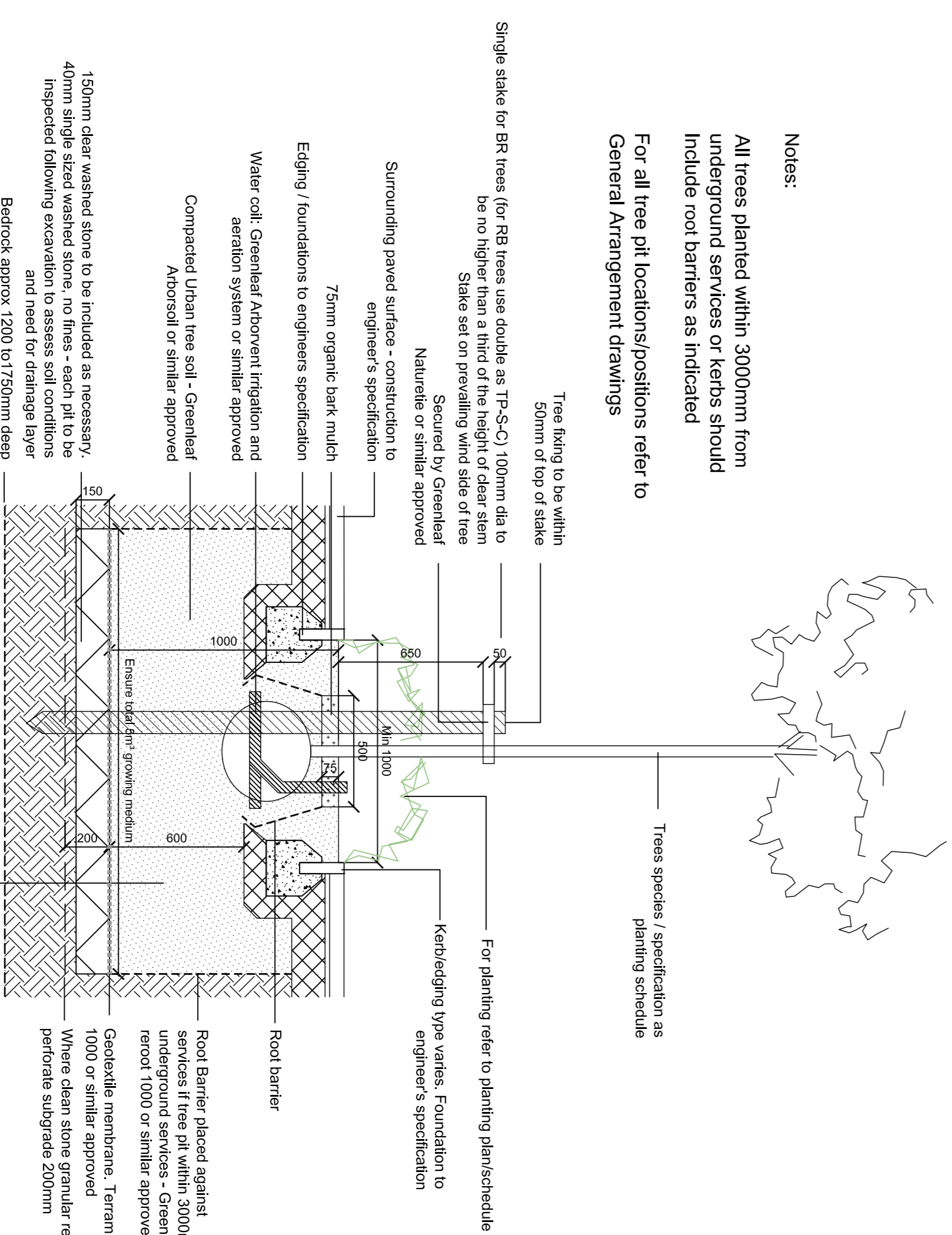
TP-S-C Tree pit detail: Soft Landscape Areas for rootball or container grown trees not exceeding 'Standard' size - see Planting Schedules UA001881-701-1102 & 1103



TP-S-D Tree pit detail: Soft Landscape Areas for trees under 1.8m height and 2.5cm girth



TP-S-E Tree pit detail: Trench scenario - Plan view
Refer to General Arrangement for individual tree trench locations and individual dimensions



TP-S-E Tree pit detail: Trench - see planting plans for individual dimensions
Contractors proposals for construction to be agreed

Issue	Description	Date
01	DRAFT	06-09-12
02	Additional detail added to named products	01-10-12
03	Started tree pit for buffer zone planting	15-10-12
04	Trench detail amended	14-12-12
05	Single staked tree detail added. Notes updated	24-01-13
06	Annotation updated, detail added	31-01-13
07	Annotation updated, UG replaced with stake TP-S-E.	16-08-13
08	Root reflector replaced by root barrier	19-08-13

Status: **PLANNING**
NOT TO BE USED FOR CONSTRUCTION

Original Size	Checker	Approver
A1	A VICTORY	KRITCH
0.5		
0.5		



HYDER CONSULTING (UK) Limited
5th Floor, The Pinnacle
All Saints Street
Bristol, England
BS1 2NL
Tel: +44 (0)870 000 3003
Fax: +44 (0)870 000 3903

Project: **Bicester Southfields Eco Development**
Title: **Tree Pit Details Hard & Soft Landscaped Areas**

Drawing No.	Project No.	Issue
701-801	UA001881	08