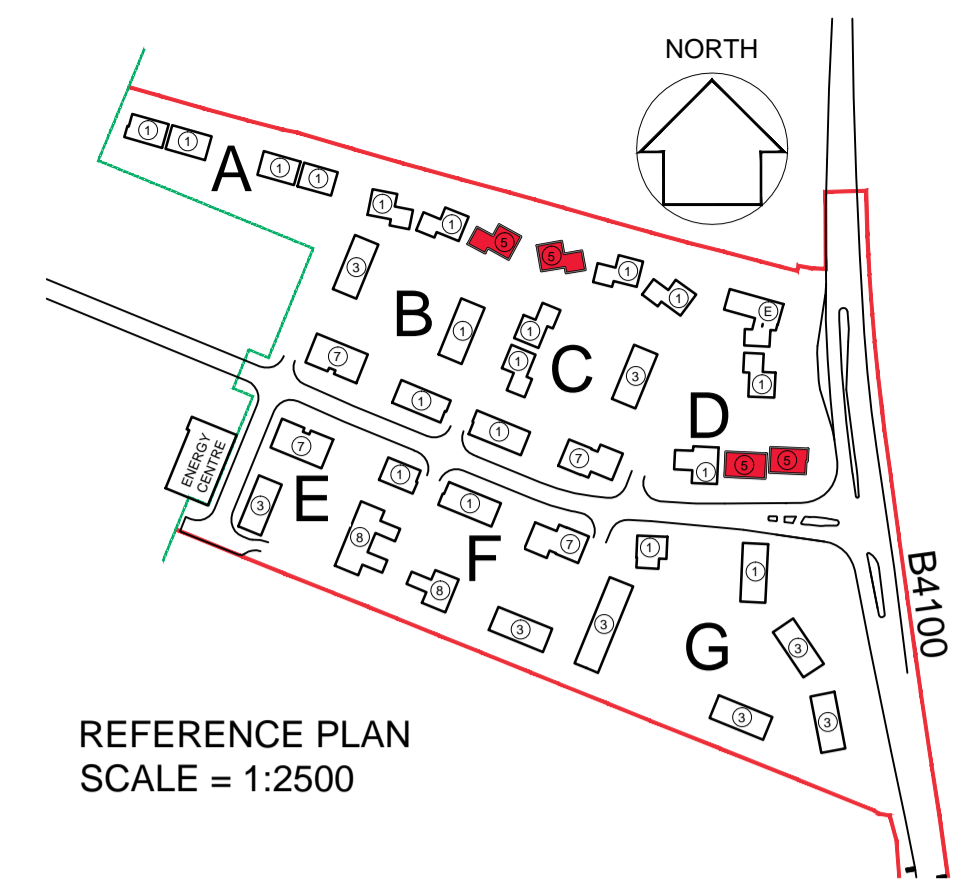


DETAIL 6 - Mortar Bedded Verge - Type 5 dwellings - (Bekstone)

Scale 1:10



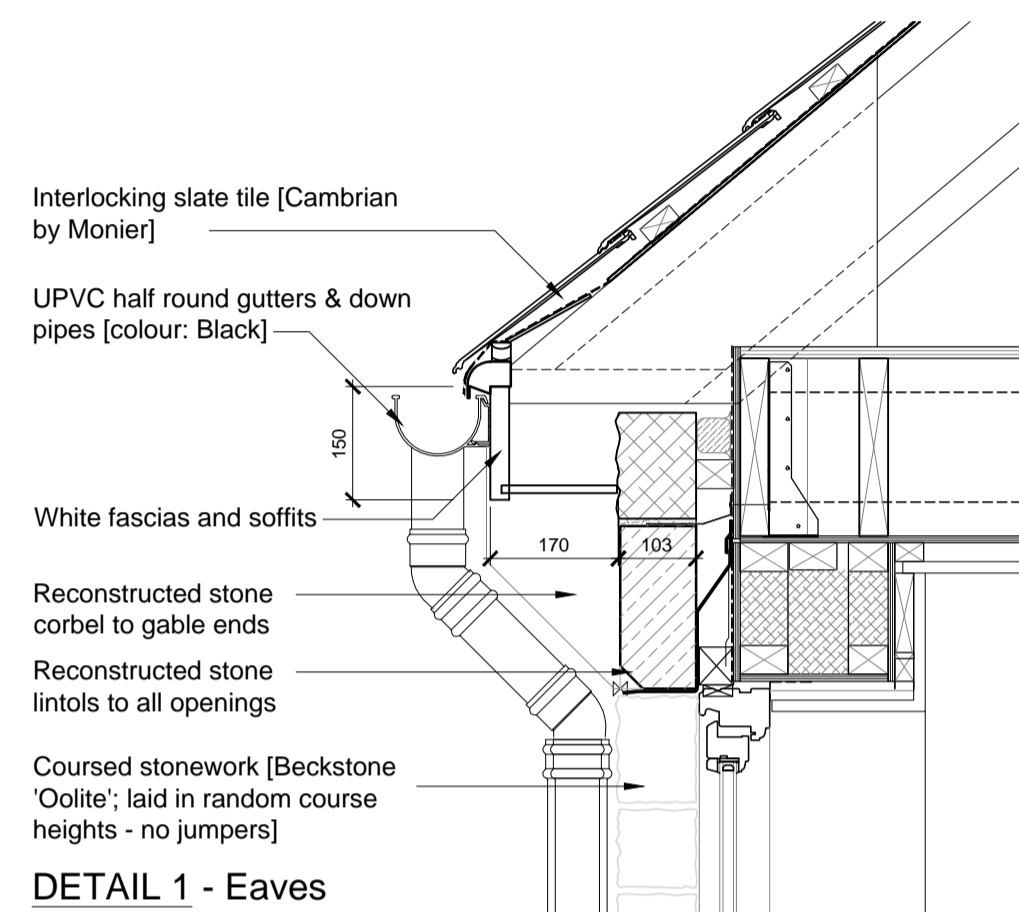
REFERENCE PLAN SCALE = 1:2500

notes

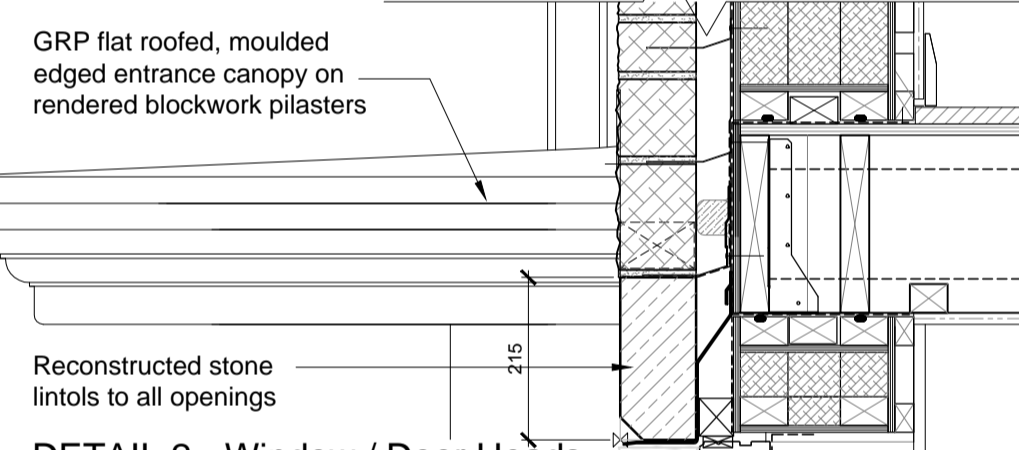
- The contractor is responsible for checking dimensions, tolerances and references. Any discrepancy to be verified with the Architect before proceeding with the works.
- Where an item is covered by drawings to different scales the larger scale drawing is to be worked to.

CDM Regulations 2007

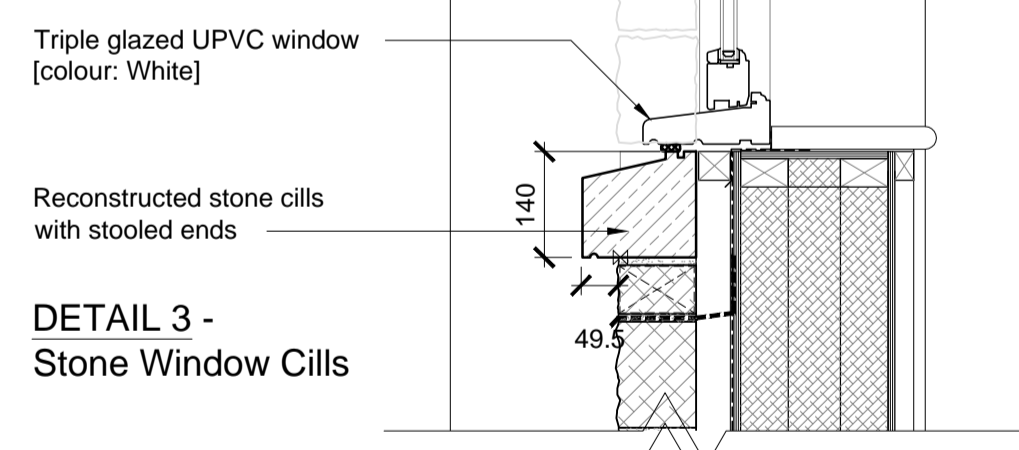
ALL current drawings and specifications for the project must be read in conjunction with the Designer's Hazard and Environmental Assessment Record.



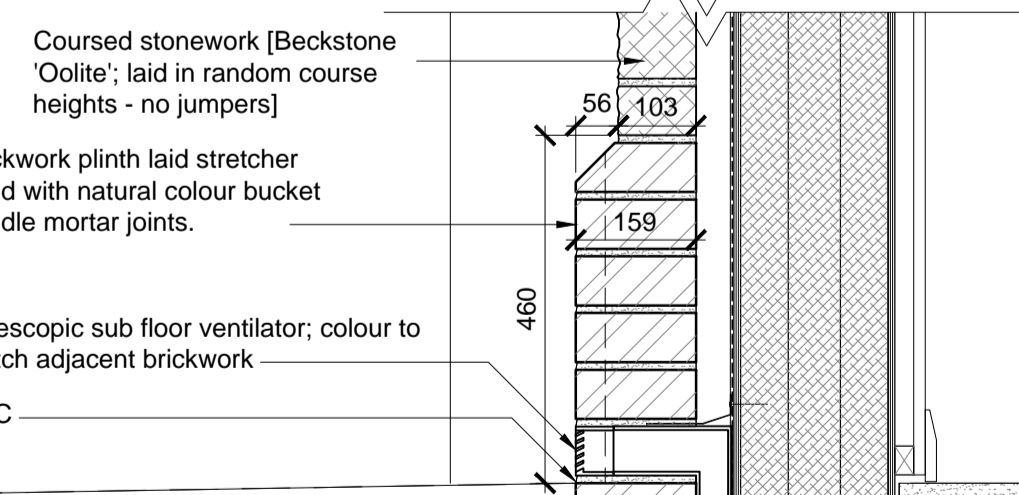
DETAIL 1 - Eaves



DETAIL 2 - Window / Door Heads

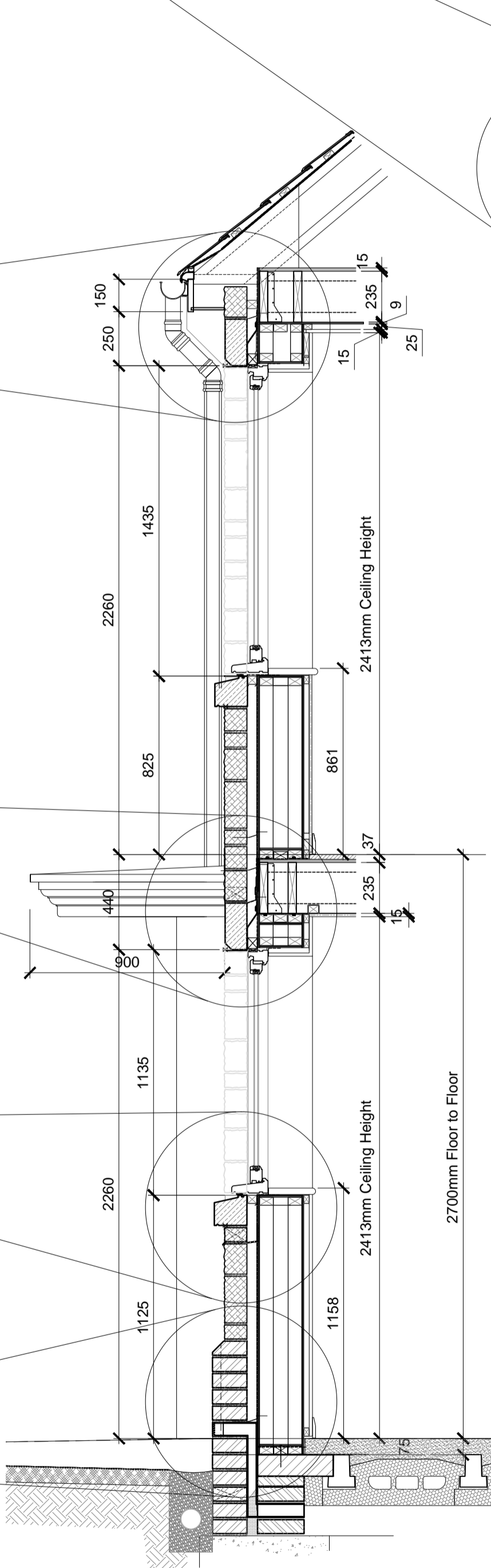


DETAIL 3 - Stone Window Cills

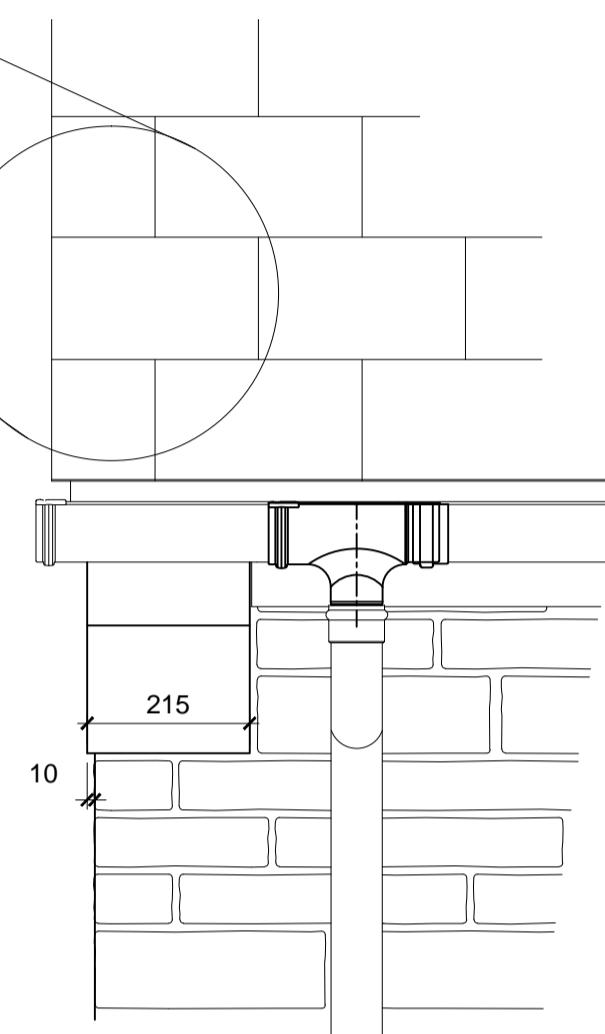


DETAIL 4 - Projecting Brickwork Plinth

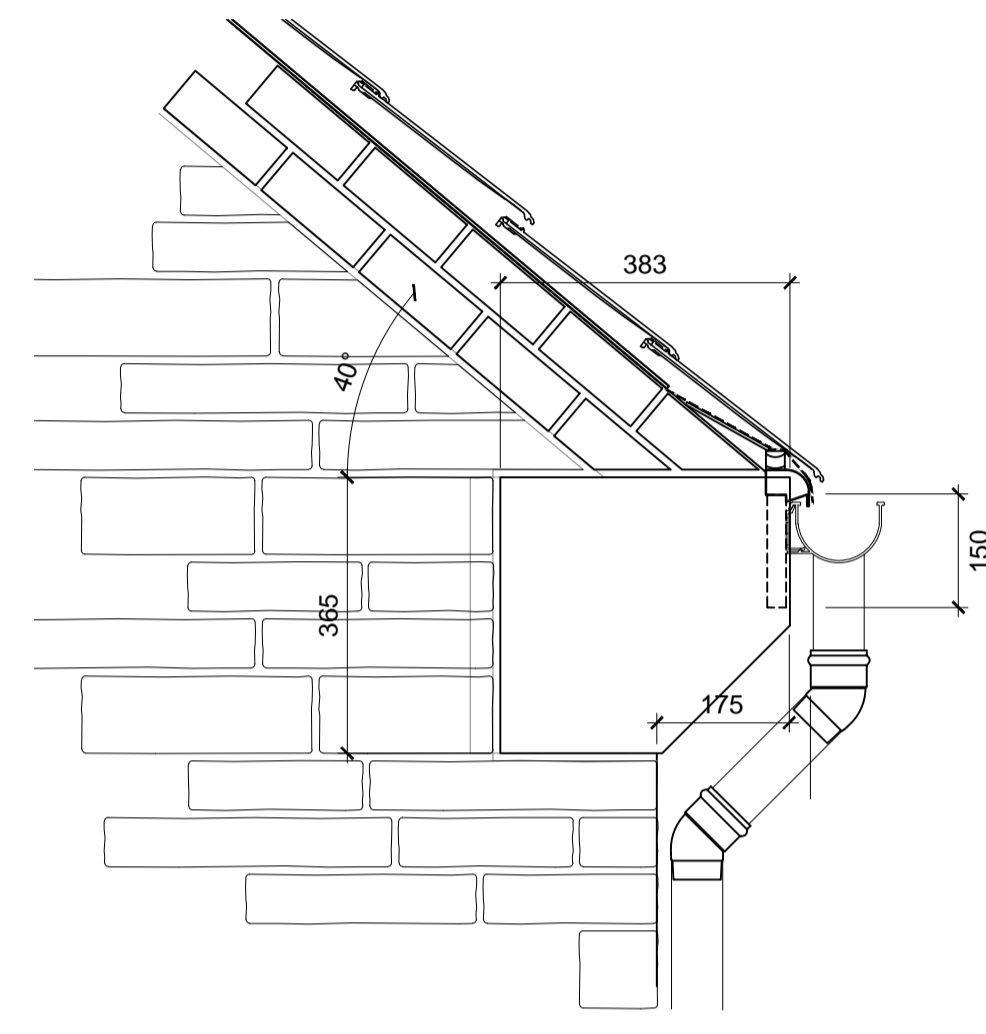
Scale 1:10



Scale 1:20



DETAIL 5 - Corbel detail Type 5 dwellings (Bekstone) Scale 1:10



DETAIL REFERENCE ELEVATION TYPE - 5

date	rev	revision/author/checker
purpose of issue		
PLANNING		
project		
BICESTER ECO TOWN EXEMPLAR SITE		
drawing		
PROPOSED DETAILS TYPE 5 DWELLINGS [Bekstone]		
drawing no		rev
AA2699C/6.1/015		-
drawn	JW	checked MB
scale @ A1	1:20 & 1:10	date JAN 2013

PRP Architects ©  
10 Lindsey Street  
Smithfield  
London  
EC1A 9HP  
T +44 (0)20 7653 1200  
F +44 (0)20 7653 1201  
lon.prp@prparchitects.co.uk

