

The contractor is responsible for checking dimensions, tolerances and references. Any discrepancy to be verified with the Architect before proceeding with the works. Where an item is covered by drawings to different scales the larger scale drawing is to be worked to.

Do not scale drawing. Figured dimensions to be worked to in all cases.  
 CDM REGULATIONS 2015. All current drawings and specifications for the project must be read in conjunction with the Designer's Hazard and Environment Assessment Record

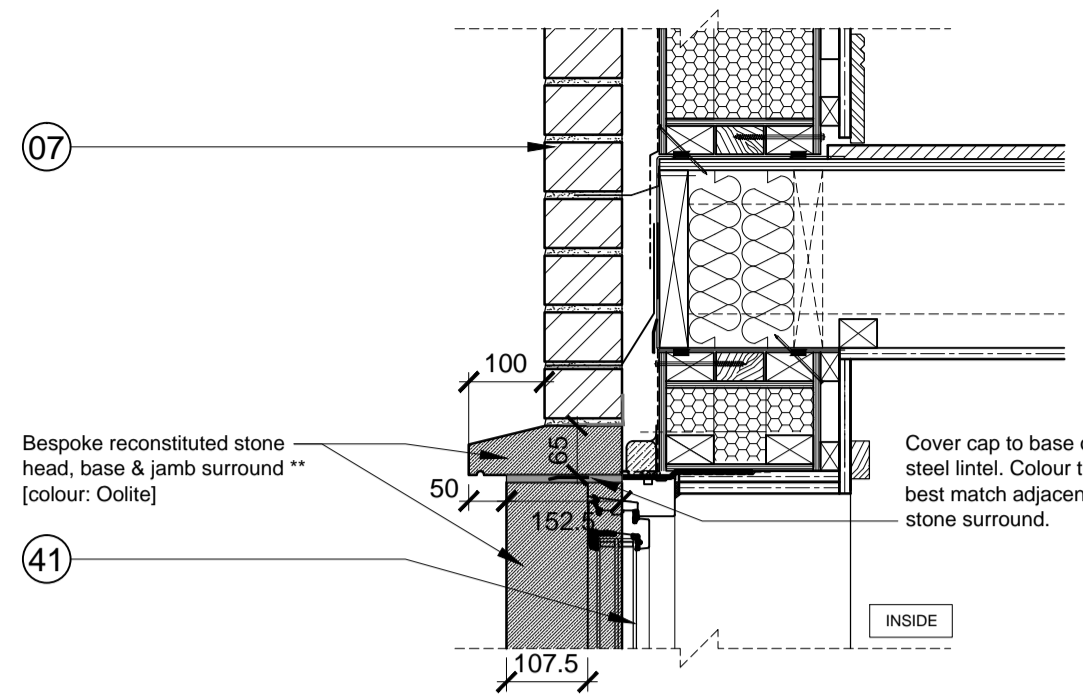
All intellectual property rights reserved.

**KEY**

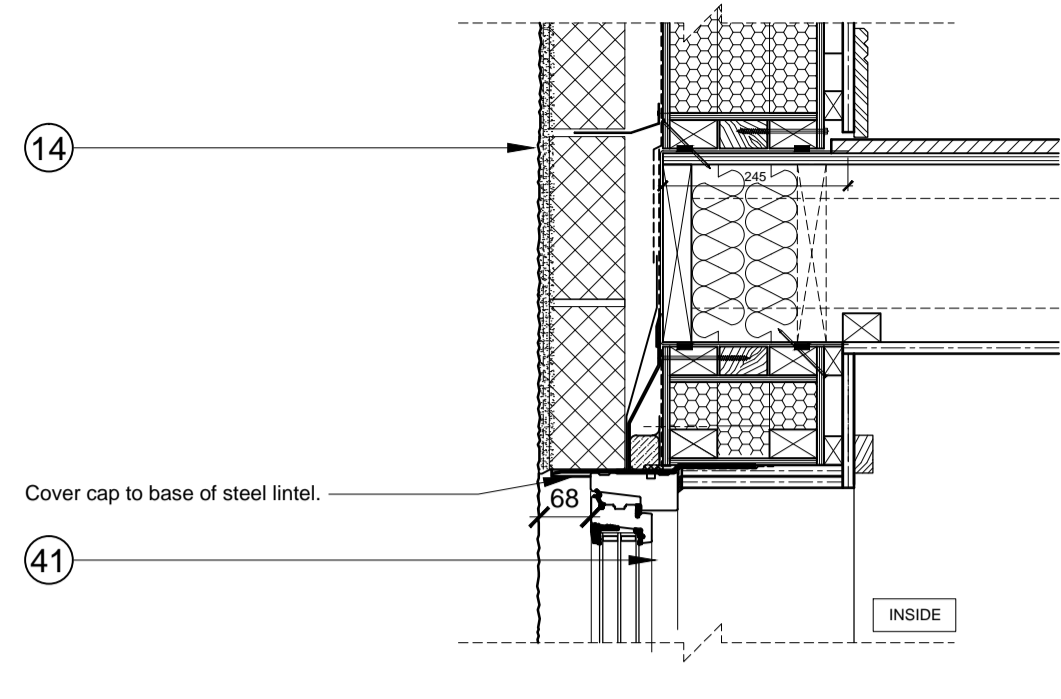
- 01 Coursed stonework [Bekstone 'Natural light weathered' (tumbled); laid in random course heights - no jumpers]
- 02 Reconstituted stone corbel unit [colour: Oolite]
- 03 Projecting reconstituted stone string course [colour: Oolite] to divide Bekstone below from render above.
- 04 Reconstituted stone [colour: Oolite] heads with drip detail and stooled cill
- 07 Face brickwork - Ibstock 'Capital Multi Stock'; laid stretcher bond with natural colour bucket handle mortar joints.
- 09 Brickwork window heads & cant brick cills; type / colour: to match face brickwork
- 10 Brickwork corbel; type / colour: to match face brickwork
- 11 Clipped verge detail. 2No. courses face brickwork laid stretcher bond with natural colour bucket handle mortar joints; brick type / colour: Ibstock 'Capital Multi Stock'.
- 13 Horizontal timber cladding [Thermwood; with natural untreated finish]
- 14 Through colour render; colour: Ivory (by K Rend or similar)
- 16 Reconstituted stone cill [colour: Oolite]
- 17 Vertical timber cladding [Thermwood; with natural untreated finish]
- 20 Marley 'Rivendale' composite slate and ridge tile
- 21 Bradstone Cotswold roof tile and ridge tile
- 23 Roof designated for meadow grass (Bauder Green Roof or similar)
- 25 PPC aluminium coping; colour: Grey (RAL 7015)
- 26 UPVC gutters & down pipes; colour: black. Fascia & soffit board; colour: White (Types 1&8); Grey - RAL 7015 (Type 3 & E)
- 27 Clipped verge detail
- 40 High performance triple glazed timber window (Rational Aura or similar) design to match house type; colour: White
- 41 High performance triple glazed timber window (Rational Aura or similar) design to match house type; colour: Grey (RAL 7015)
- 67 Spandrel Panel: Horizontal timber cladding [Thermwood; with natural untreated finish]
- 80 Proprietary dry fix roof verge system shown indicatively. Subject to roof tile Supplier/Manufacturer installation details & recommendations.

**General Notes:**

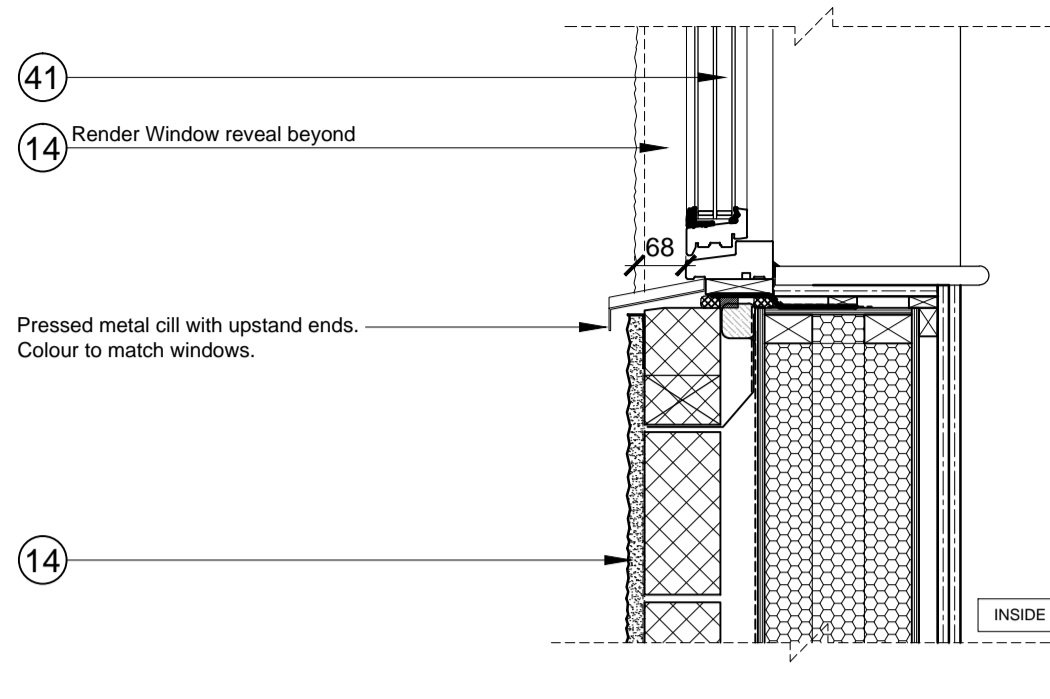
- 'Key' text above based on S96a Elevation Dwg series: AA2699(2)-2100 to 2126, with supplementary info added for products.
- Refer to S96a Elevations for any colour identification where noted.
- Timber Roof / Wall / Floor Panels / Linings + internal finishes ETC are all indicative & subject to detailed design.
- Any dimensions shown indicate intended design; Subject to subcontractor/supplier installation design & recommendations.
- To be read in conjunction with external materials schedule doc: AA2699C(2)\_06-01\_010



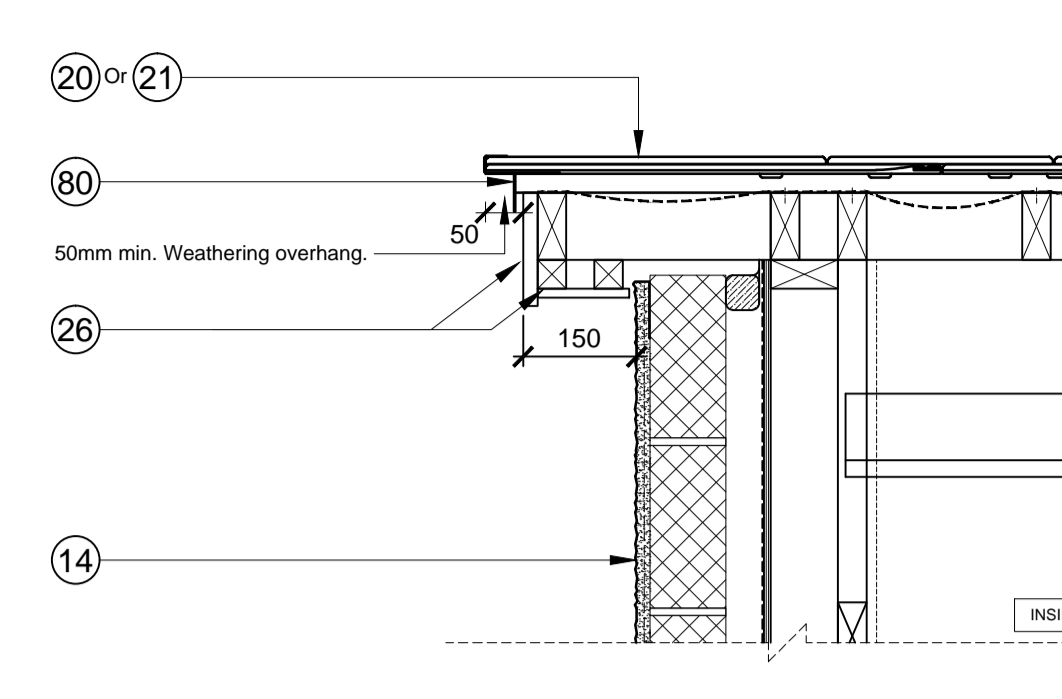
**Q Bay Window Head Detail Type 1 - Brickwork**  
 Bespoke lintel / angle support mitred & welded to suit bay corner. All subject to specialist subcontractor installation design.



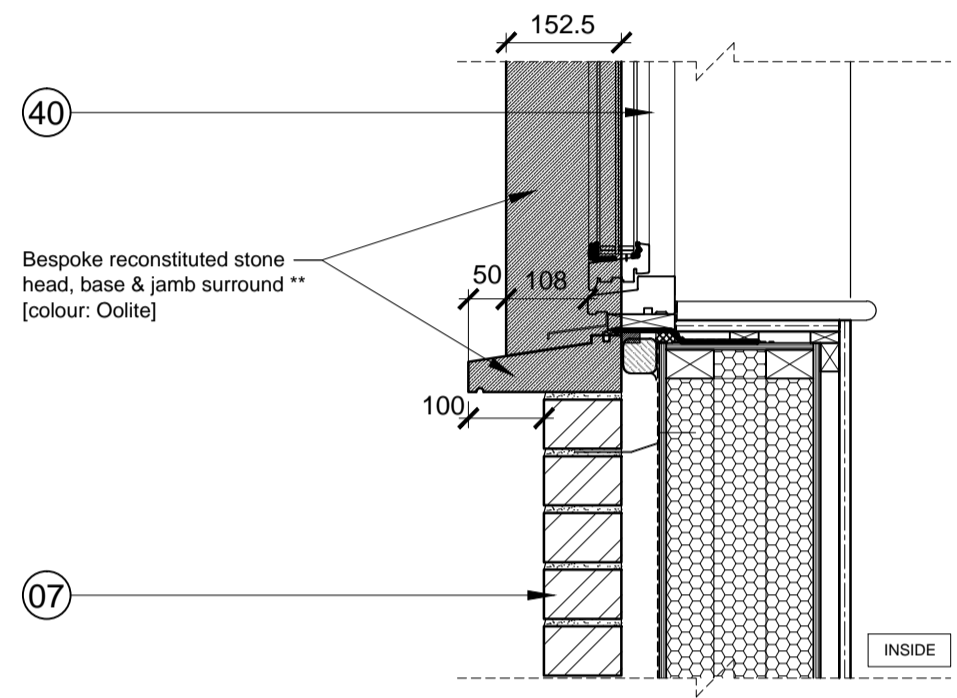
**U Window Head Detail Types 3, 7 & E - Render**



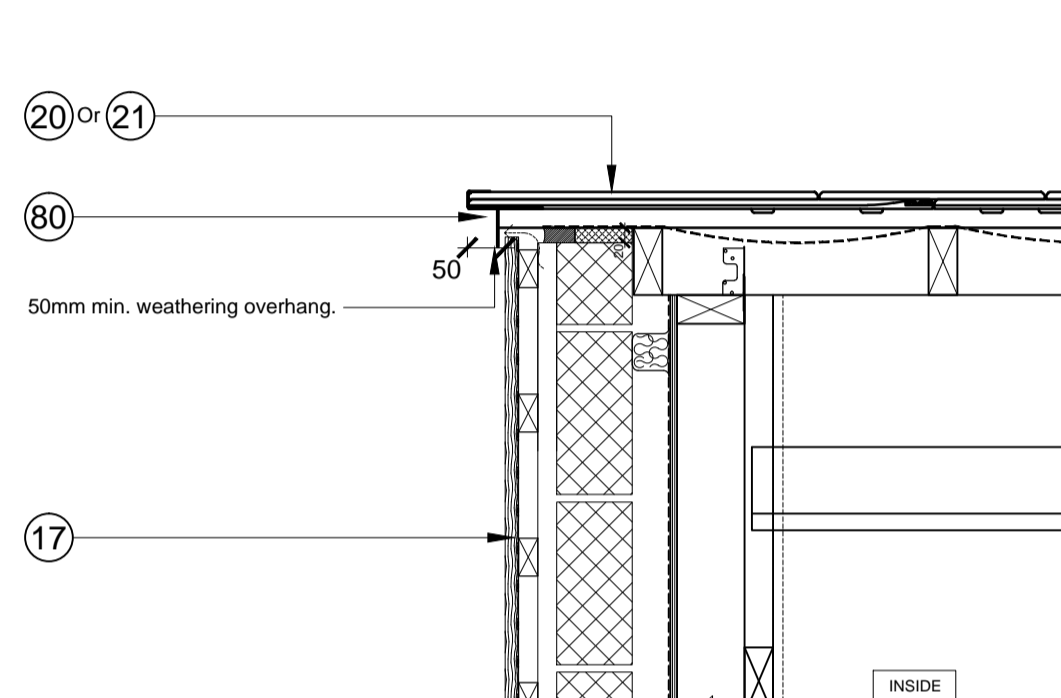
**Y Window Cill Detail Type 3 - Render**



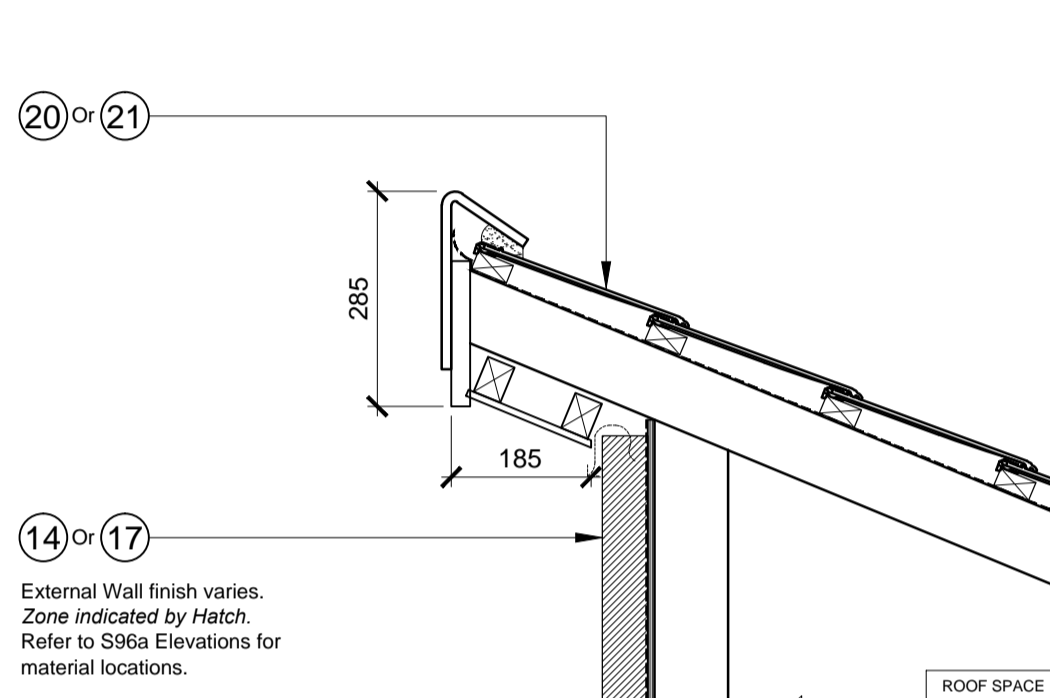
**Cc Verge Detail Type E & 8 - Render**



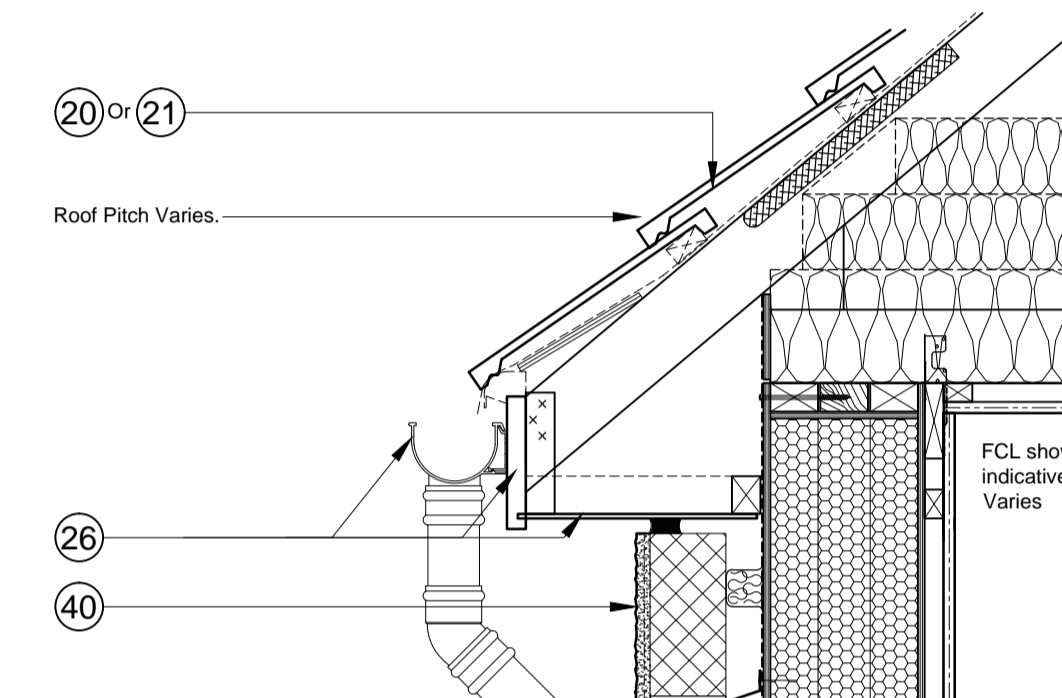
**R Bay Window Detail - Cill Type 1 - Brickwork**  
 Bespoke lintel / angle support mitred & welded to suit bay corner. All subject to specialist subcontractor installation design.



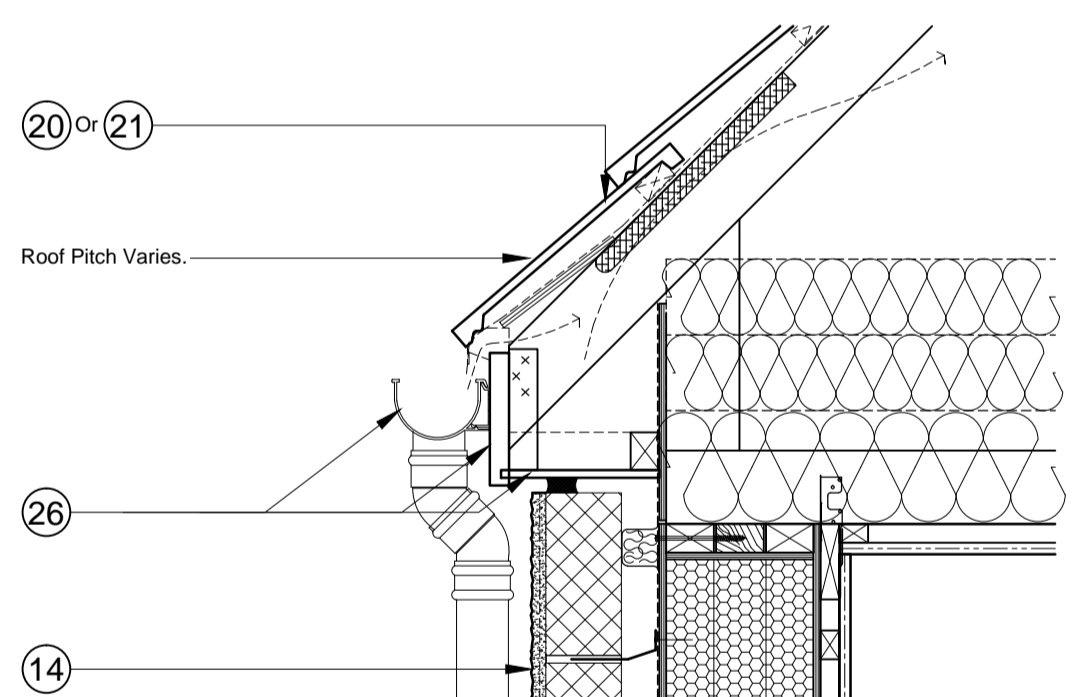
**V Verge Detail Type 3 - Vertical Timber Cladding**



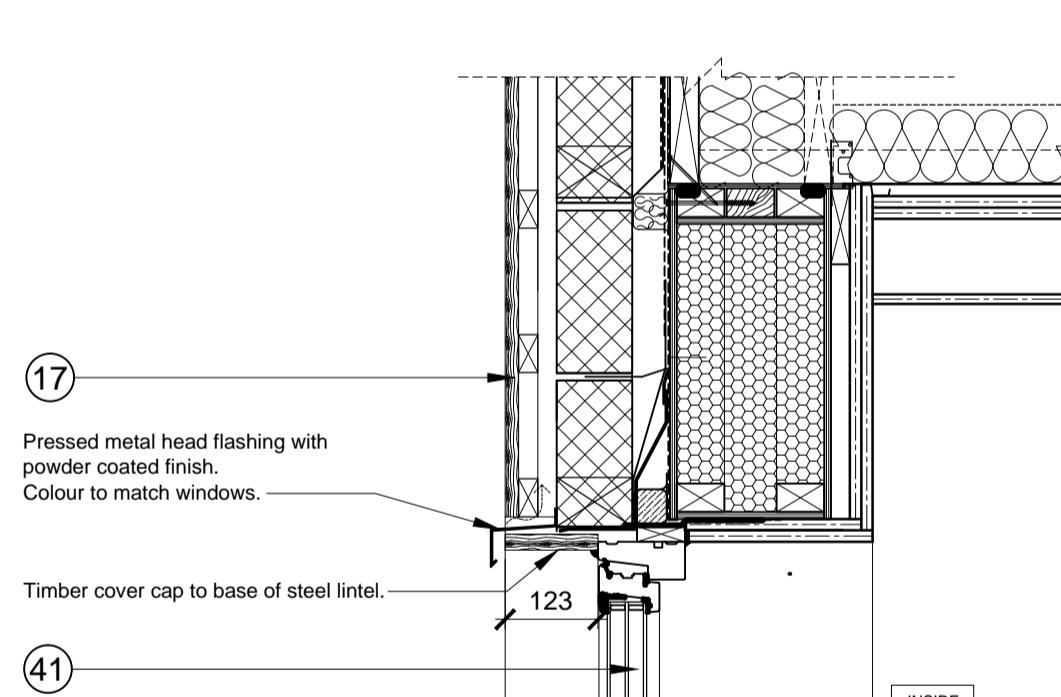
**Z Mono Ridge Detail Type E & 8**



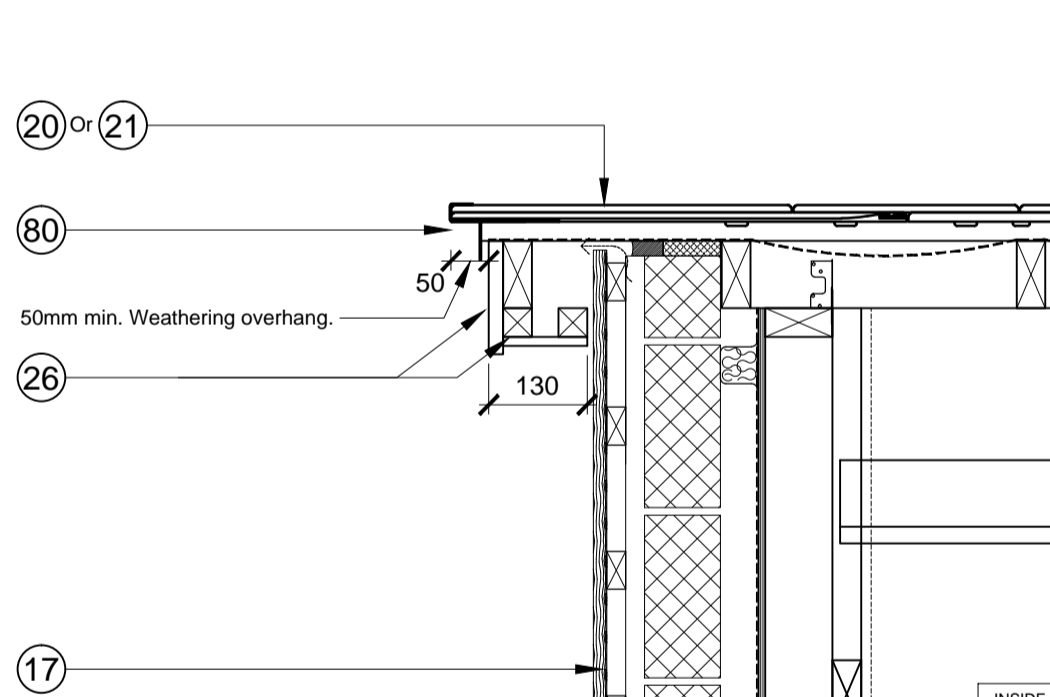
**Dd Eaves Detail Type 8 - Render**



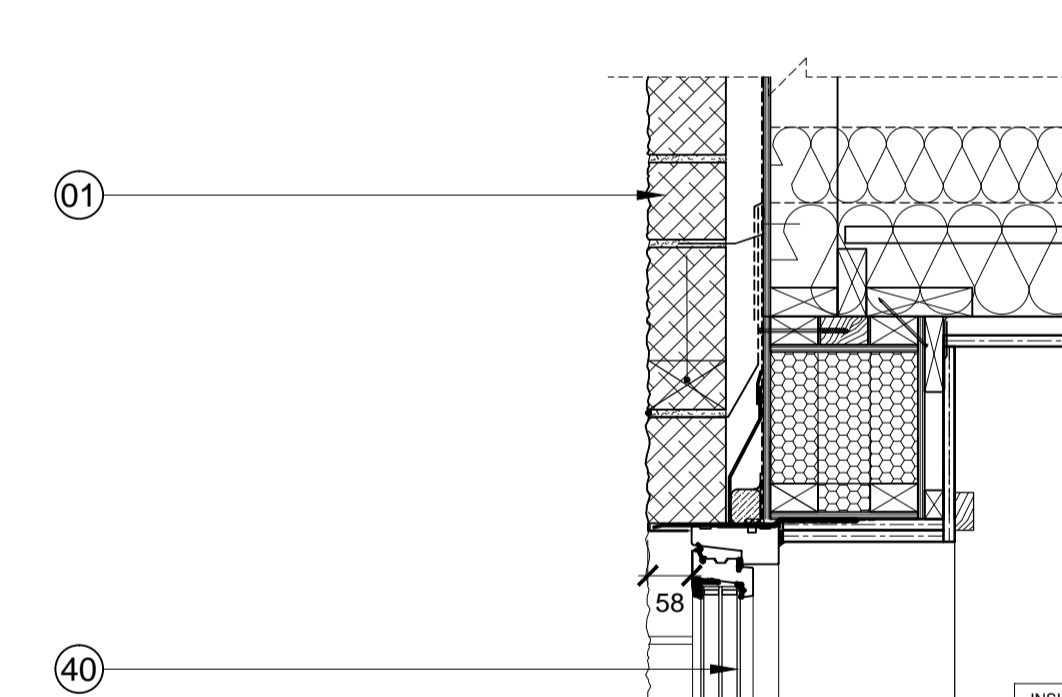
**S Eaves Detail Type 3 - Render**



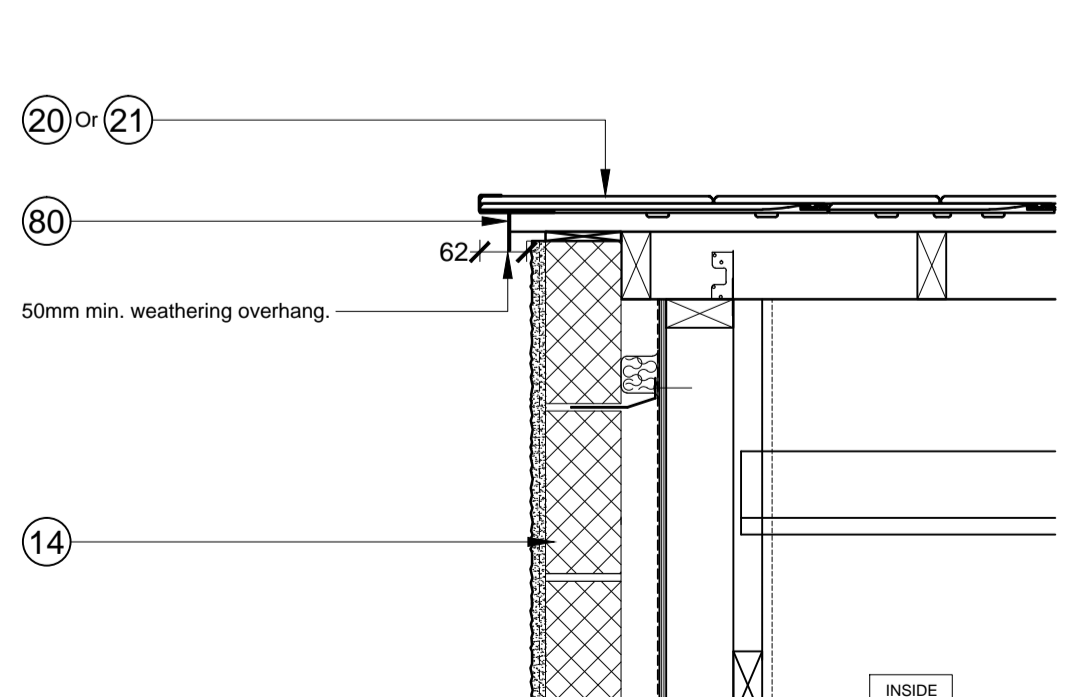
**W Window Head Detail Type 3 - Vertical Timber Cladding**



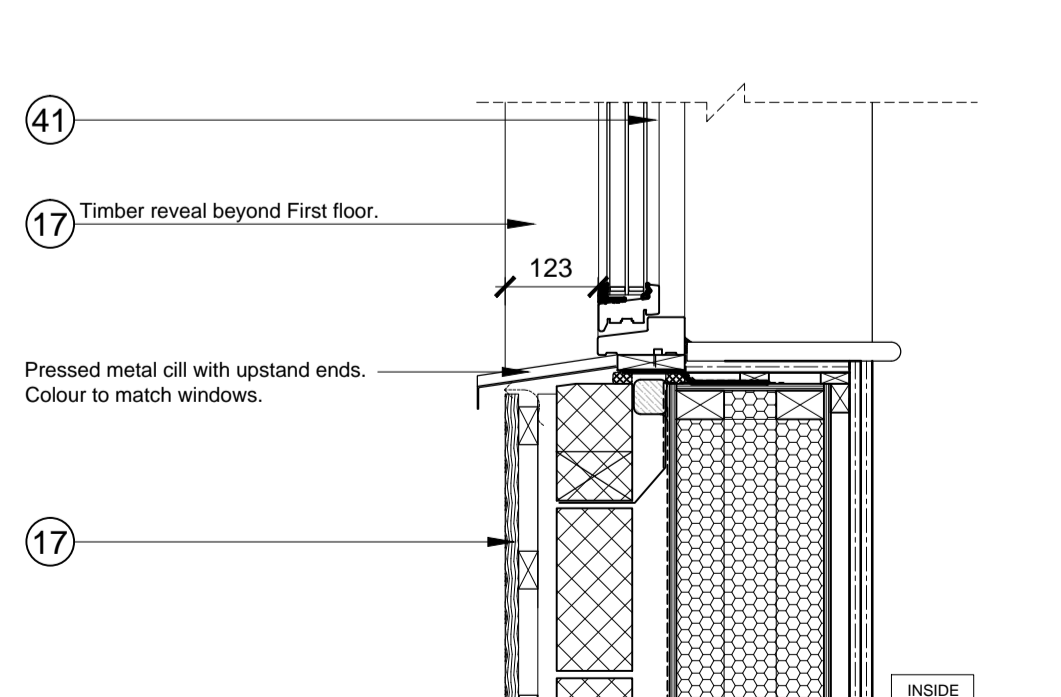
**Aa Verge Detail - Vertical Timber Type E**



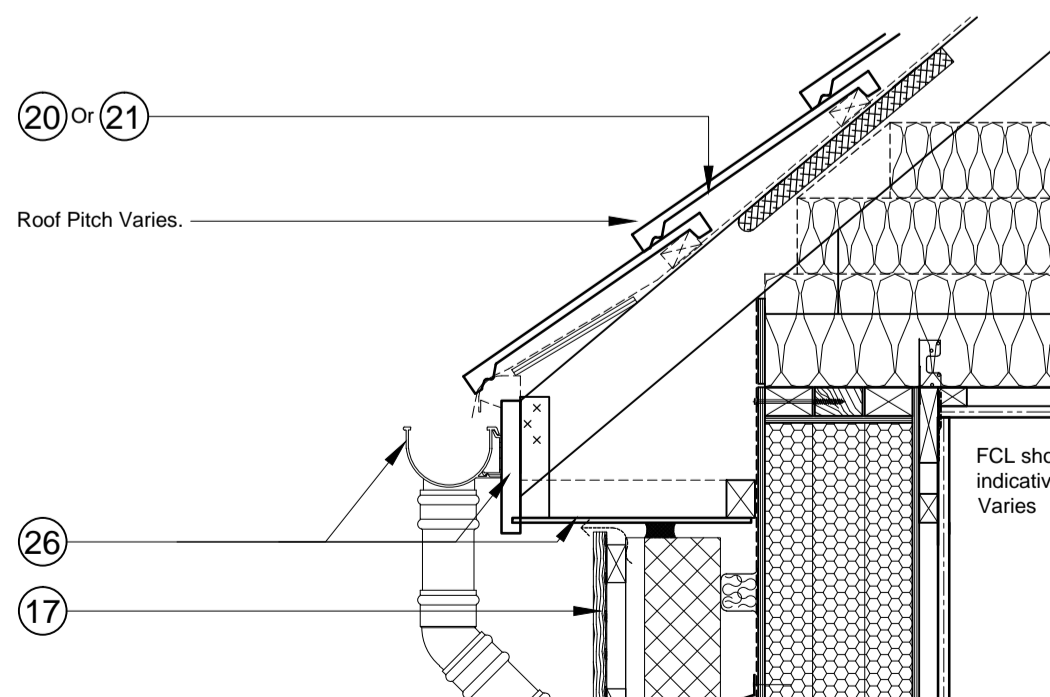
**Ee Window Detail - Head Type 8 - Bekstone**



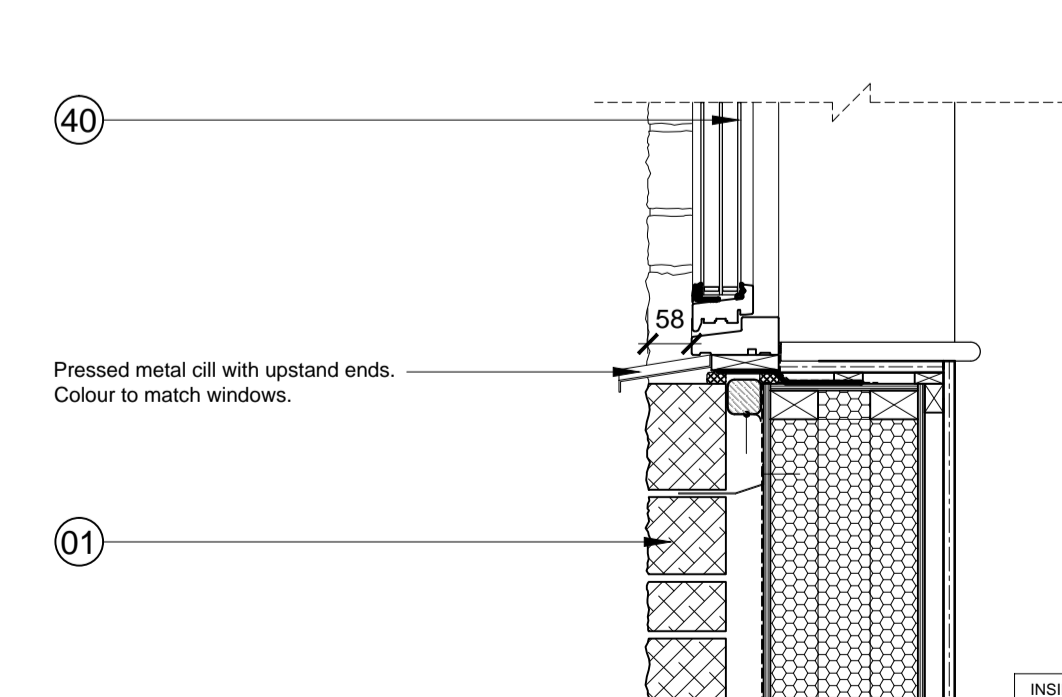
**T Verge Detail Type 3 - Render**



**X Window Cill Detail Type 3 - Vertical Timber Cladding**



**Bb Eaves Detail Type E - Vertical Timber**



**Ff Window Detail - Cill Type 8 - Bekstone**

Rev	Date	Description	MEF	RS	Dwn	Ckd
A	24.05.2016	Window reveal depths amended to suit installation design.	MEF	RS		
		Issued for Condition 15 Discharge & Planning approval.				
-	05.02.2016	Issued for Condition 15 Discharge & Planning approval.	MEF	RS		

**BICESTER ECO TOWN - PHASE 2**

**CONDITION 15  
 DETAILS - SHEET 2**

**AA2699C(2) 2511 REV A**  
 PLANNING

Drawn MEF Checked RS Date JAN 2016 Scale @ A1 1:10