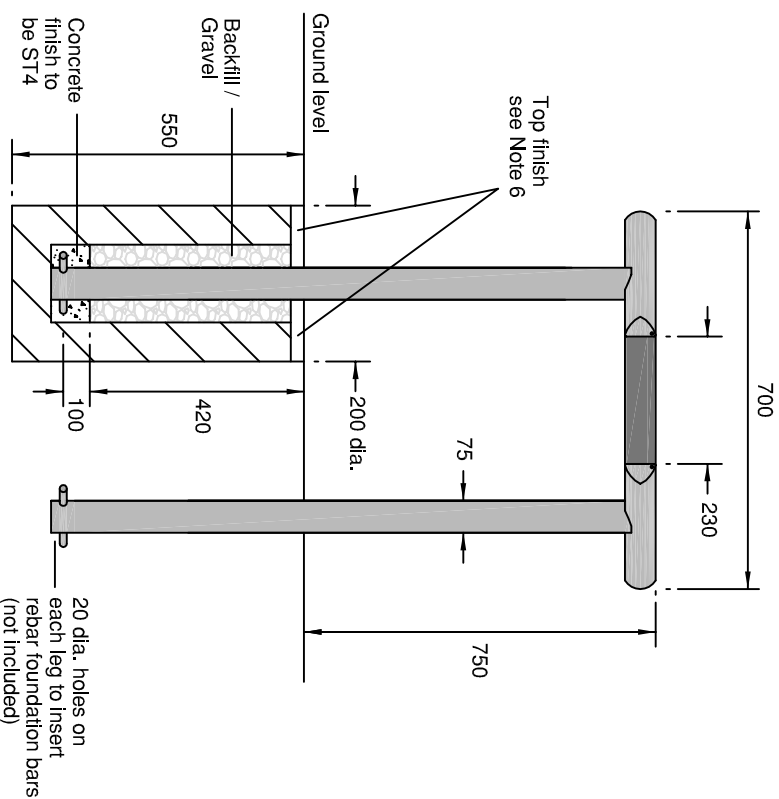
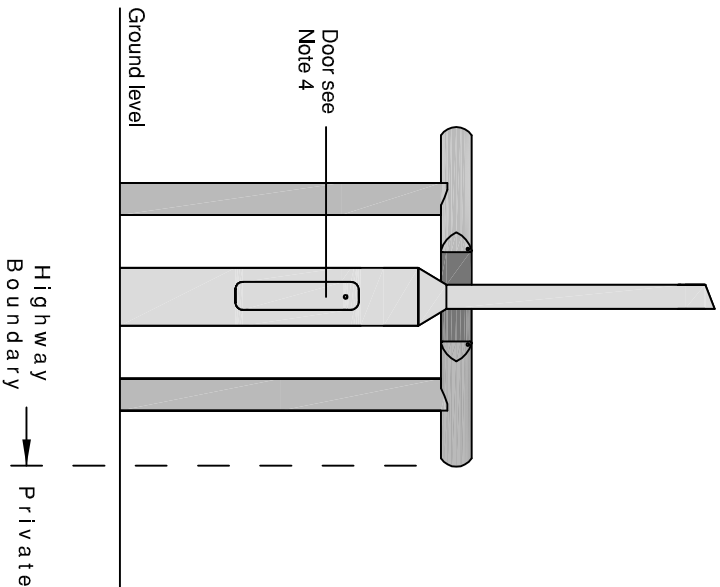


- Notes**
1. All dimensions are in millimetres unless shown otherwise.
 2. Final coat to be Traffic Grey A RAL 7042.
 3. Column protection barriers are manufactured by Pudsey Diamond Engineering Ltd or equivalent.
 4. Door must be erected facing away from oncoming traffic and shall face the gap in the barrier.
 5. Column and barrier system to be within highway boundary.
 6. Surface finish depth for Grass / Tarmac 50mm, Block Paving as depth of block.
 7. When installing a new barrier around an existing column HSG 47 to apply.



COLUMN BARRIER ASSEMBLY

COLUMN : Protection barrier

ILLUMINATED SIGNS AND STREET LIGHTING

Oxfordshire County Council
Speedwell House
Speedwell Street
Oxford OX1 1NE
Tel: Oxford 01865 815700



© Unauthorised reproduction infringes copyright

Scale
Not to Scale

Drawn	Initials	Date
Traced		
Checked		

Index	Date	Category
Drawing No.		
HSD/12/304		1