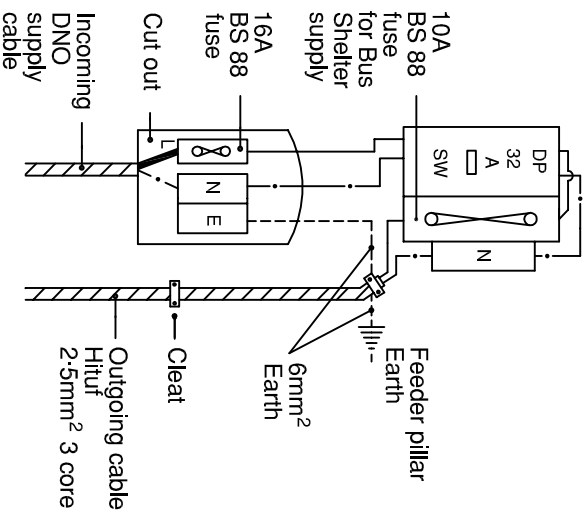
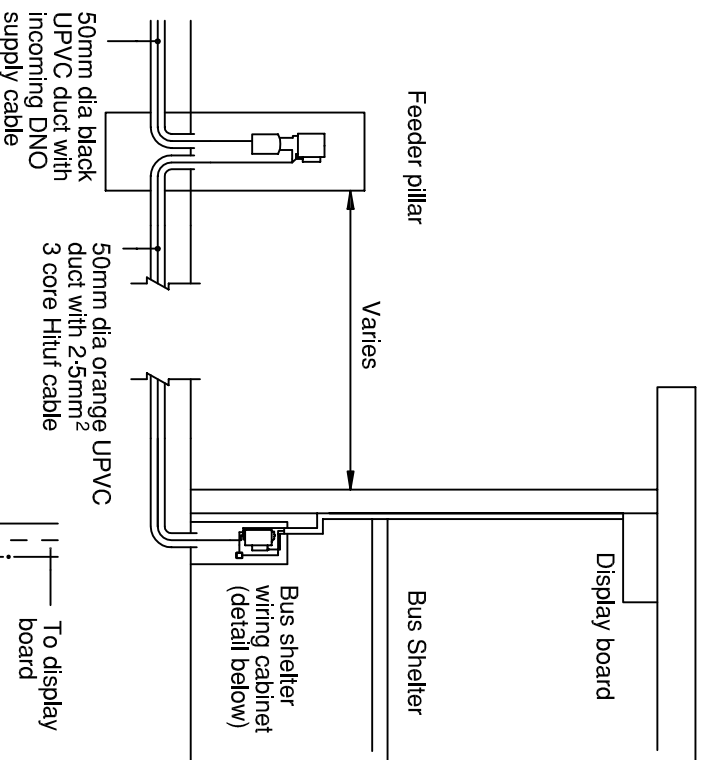


Notes

1. Cables between cut-out and fused isolator unit in column must be 2.5mm² PVC PVC insulated PVC sheathed single core.
2. Sub fuse assembly :-
 - a) Feeder pillar
Lockable safely isolator consisting of 32A DP isolator with 1 No. BS 88 fuse way. Fuse for bus shelter circuit to be maximum 10A.
 - b) Bus shelter termination
Lockable safety isolator consisting of 32A DP isolator with 1 No. 6A BS 88 fuse.
3. All fixing screws to be stainless steel.
4. Feeder pillar as drawing HSD/14/070.

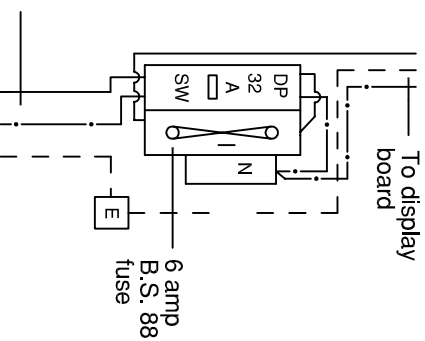


**32A DP ISOLATOR WITH
1 No. BS 88 FUSEWAY
IN NEARBY
FEEDER PILLAR**



**BUS SHELTER TERMINATION
32A DP ISOLATOR UNIT
WITH 1 No. 6 AMP
BS 88 FUSEWAY**

2.5mm² 3 core Hituf
cable from isolator unit
in nearby feeder pillar



**WIRING DETAILS : Real time bus information assembly in shelter
with supply taken from remote pillar**

**ILLUMINATED SIGNS AND
STREET LIGHTING**



Improving Your Roads

Oxfordshire County Council
Speedwell House, Speedwell Street,
Oxford OX1 1NE
Tel: Oxford 01865 815700

Scale				Initials				Date			
Not to Scale											
Drawn											
Traced											
Checked											
Index				Amendment				Date			
Drawing No.				HSD/14/018				Category			
								1			

© Unauthorised reproduction infringes copy/right