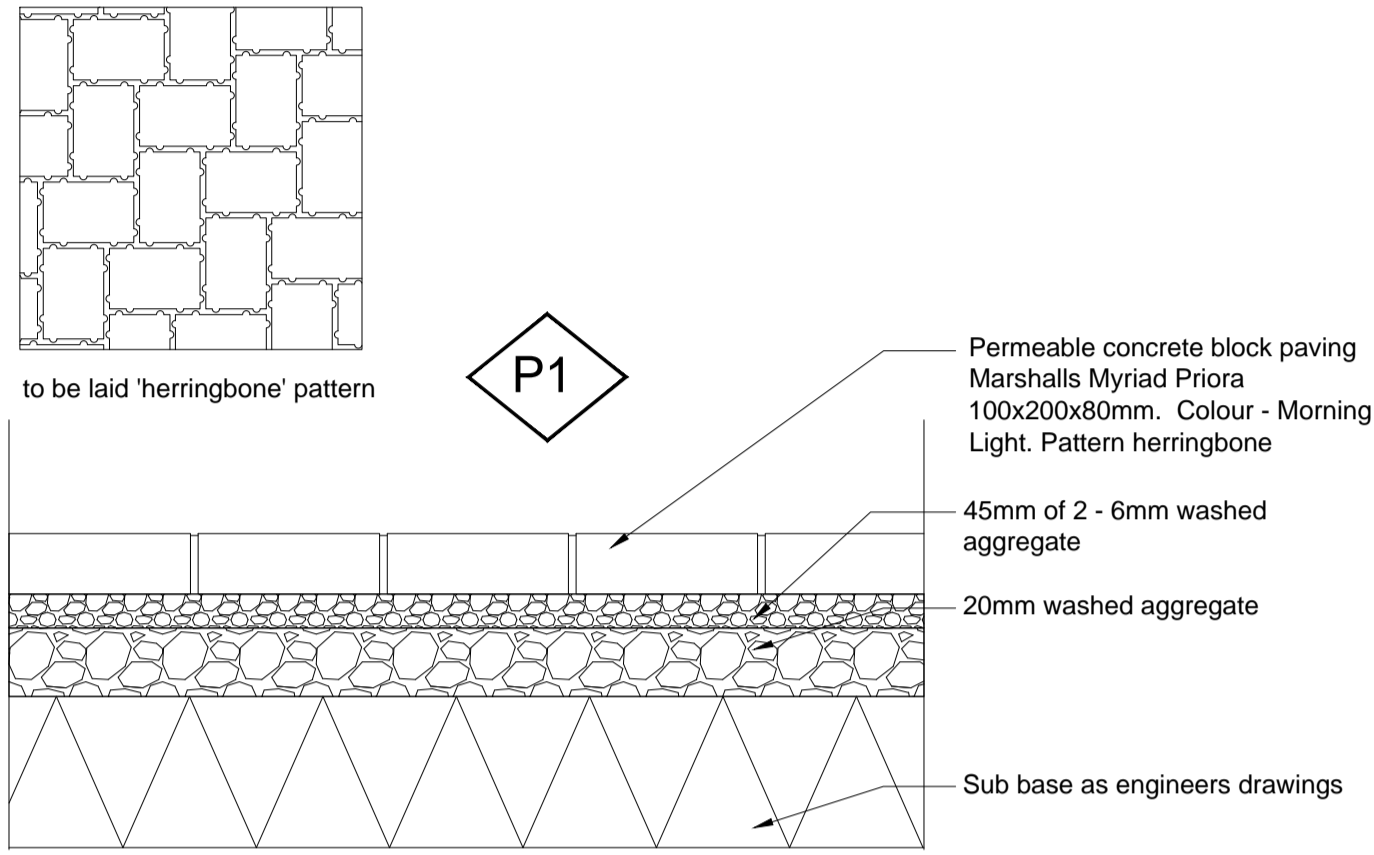


notes

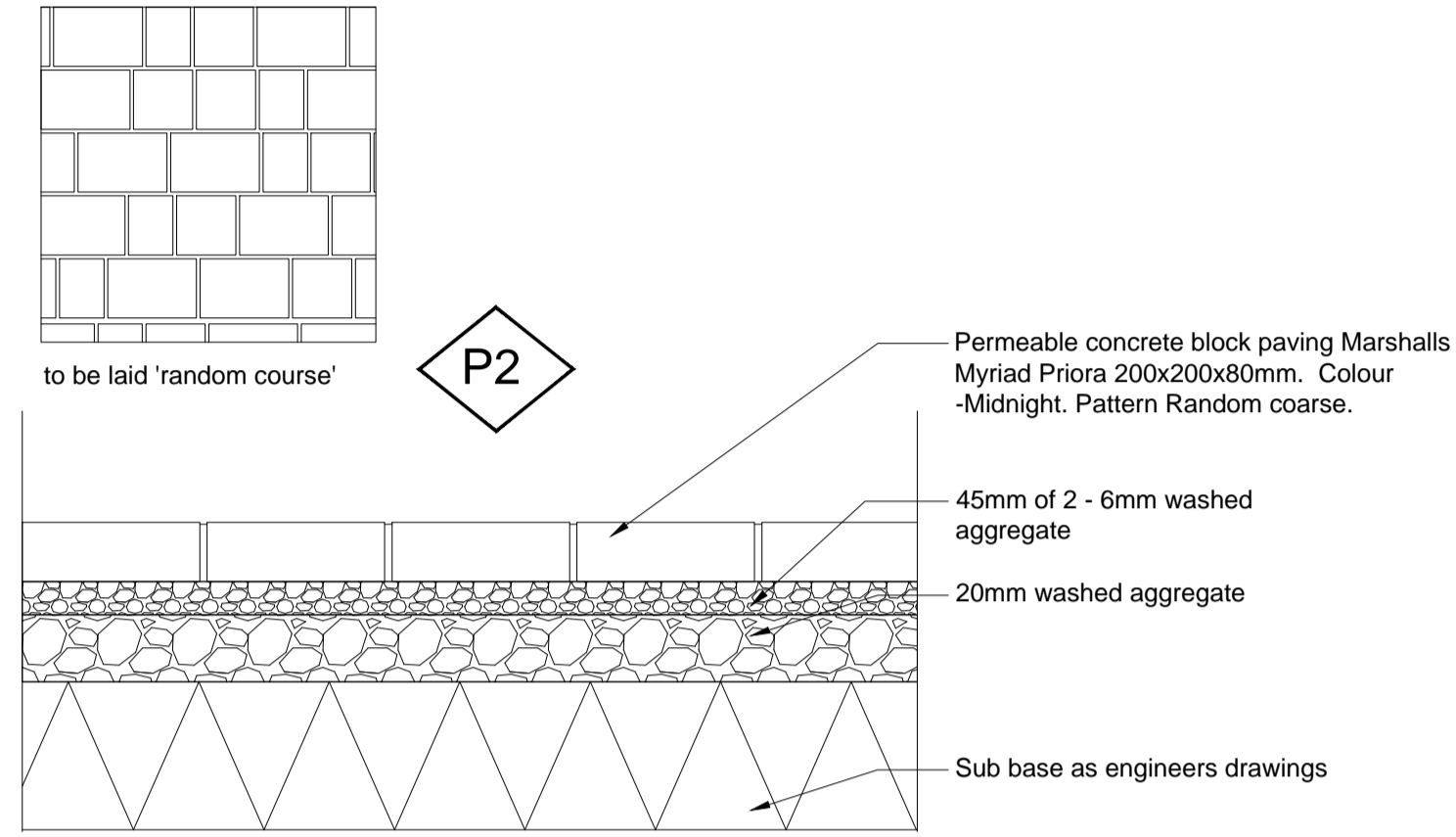
- The contractor is responsible for checking dimensions, tolerances and references. Any discrepancy to be verified with the Architect before proceeding with the works.
- Where an item is covered by drawings to different scales the larger scale drawing is to be worked to.
- Do not scale drawing. Figured dimensions to be worked to in all cases.

CDM Regulations 2015

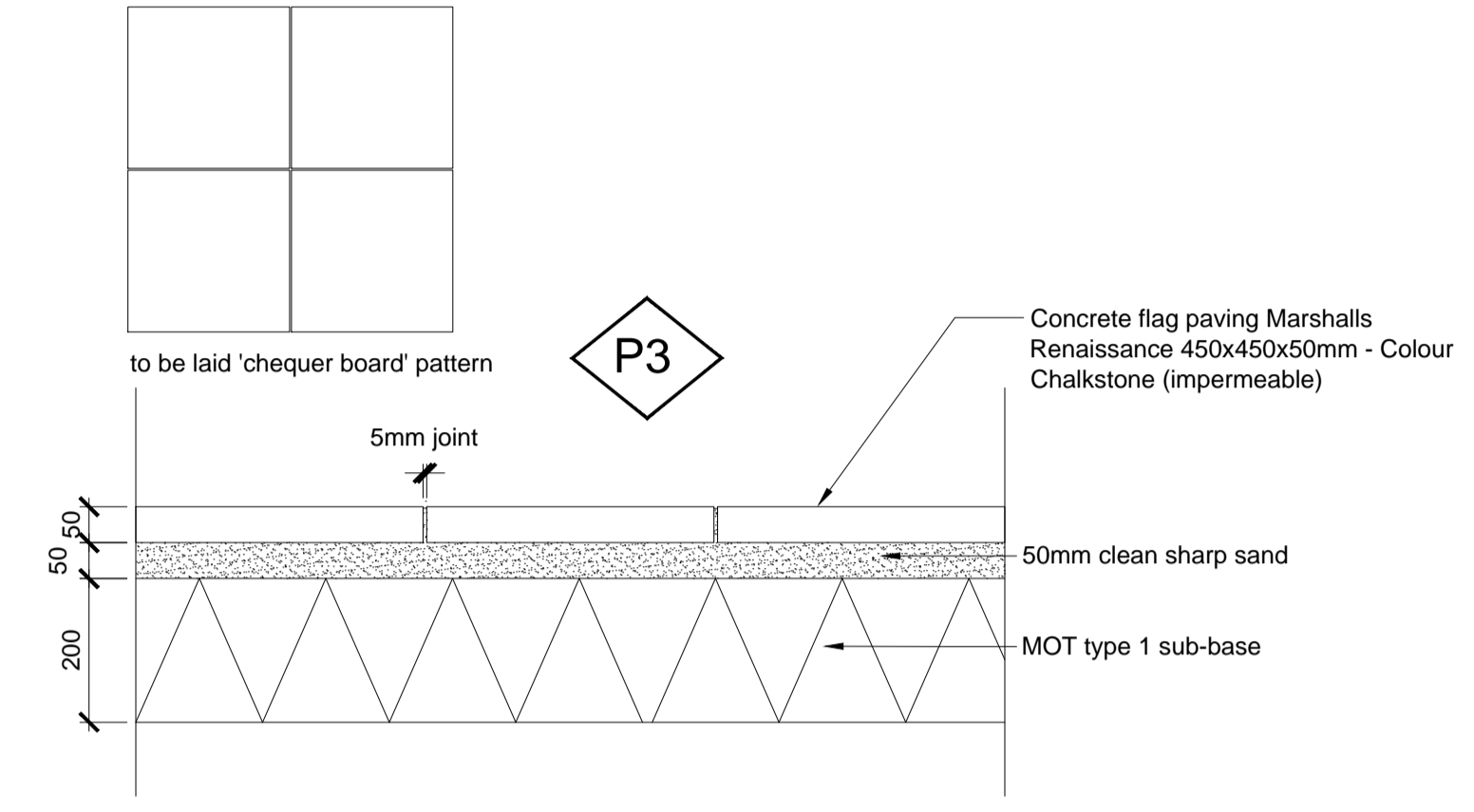
ALL current drawings and specifications for the project must be read in conjunction with the Designer's Hazard and Environmental Assessment Record.



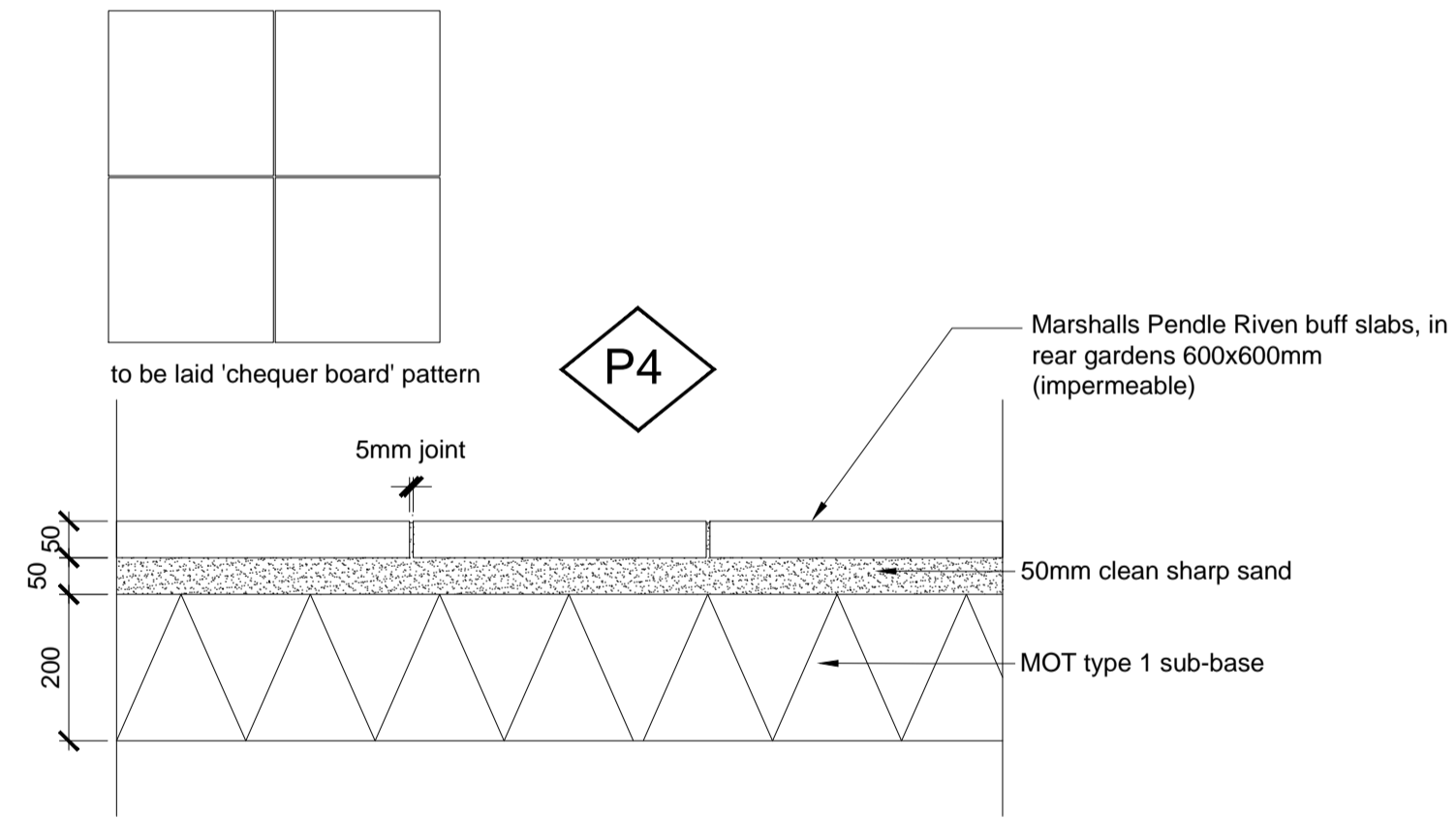
01 Paving P1  
Marshalls Myriad Piora



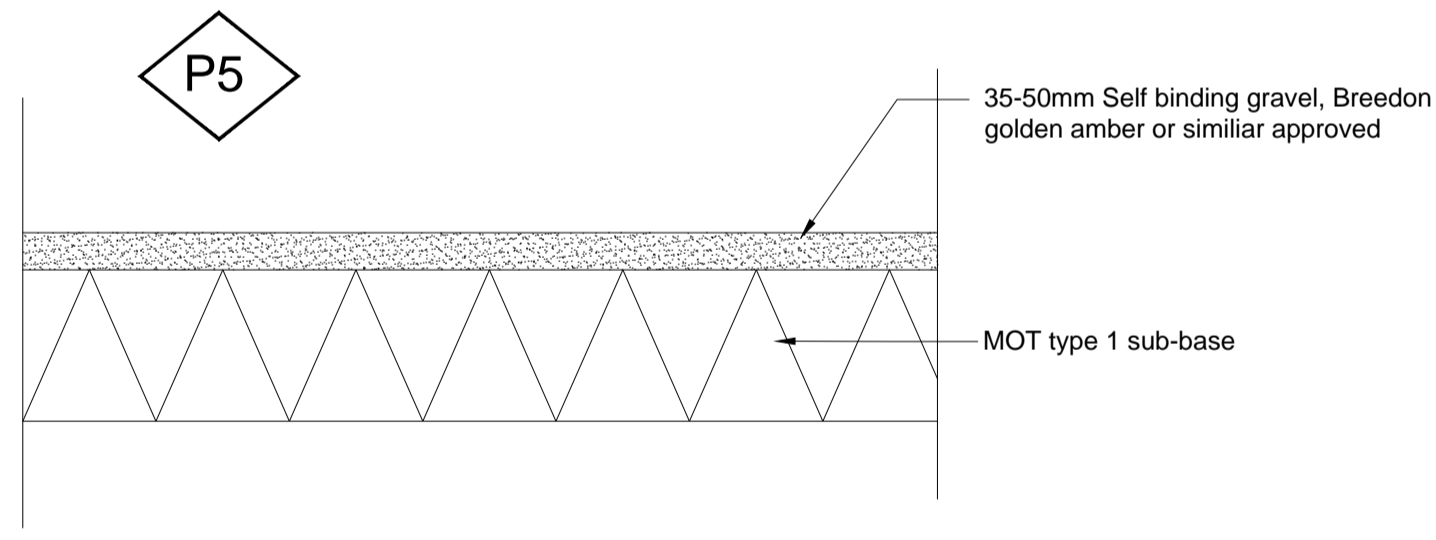
02 Paving P2  
Marshalls Myriad Piora



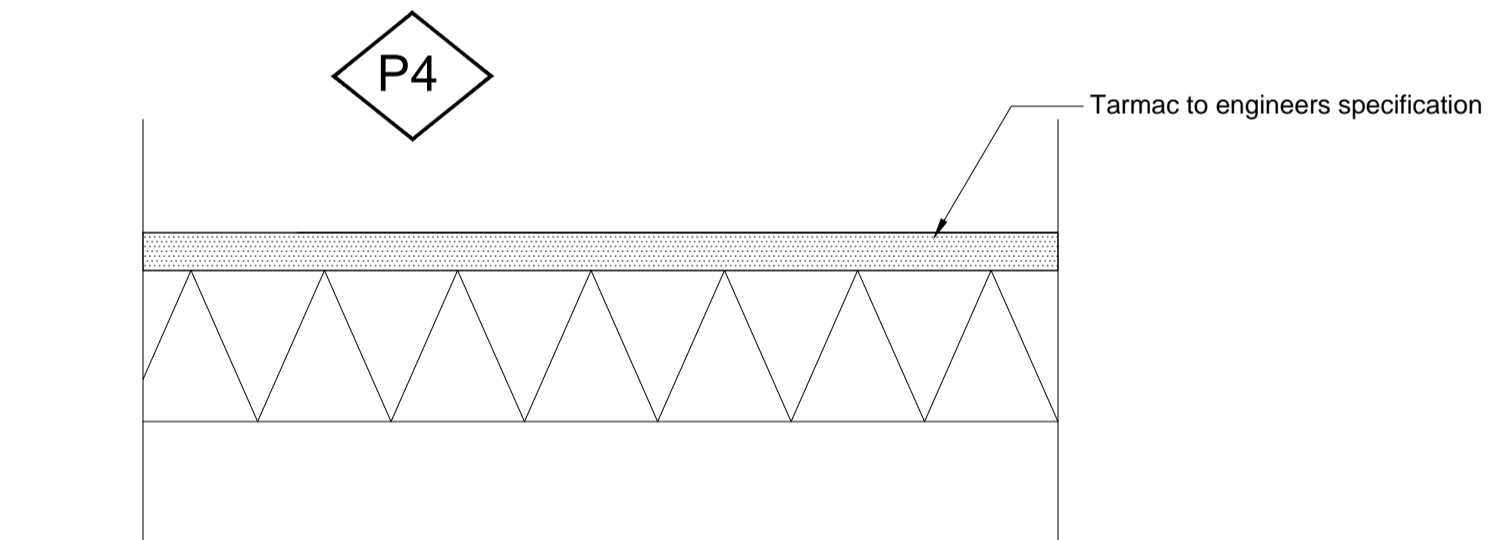
03 Paving P3  
Marshalls Renaissance paving



04 Paving P4  
Marshalls Pendle Riven slabs



06 Paving P5  
Self binding gravel



06 Paving P6  
Tarmac

NOTE:  
All bedding and subases to be in accordance with engineers specification.

20/09/16	C	Revised to reflect planners comments	MQ/AGF
24/06/16	B	Issued for planning	MQ/AGF
03/07/15	A	Drawing amended to reflect comments by Silver. CDM date changed	MQ/AGF

date	rev	revision/author/checker
------	-----	-------------------------

purpose of issue	PLANNING
project	Bicester Eco Town Exemplar Site, Phase 2
drawing	LANDSCAPE PAVING DETAILS

drawing no	AL4908-2100	rev	C
drawn	MQ	checked	AGF
scale @ A1	1:10	date	April '15