

NOTES:
 All dimensions to be checked on site prior to the commencement of construction and any discrepancy should be reported to the Site Manager.

This drawing may not be reproduced in any part or form without written consent.

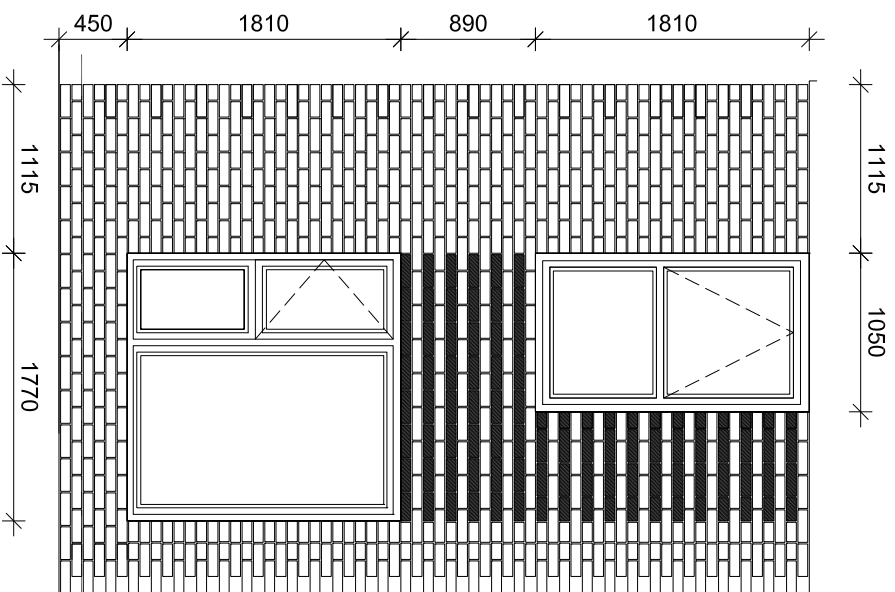
All copyrights reserved.

Sub-Contractors **MUST** ensure that they have the latest issue drawing before they commence work on site.

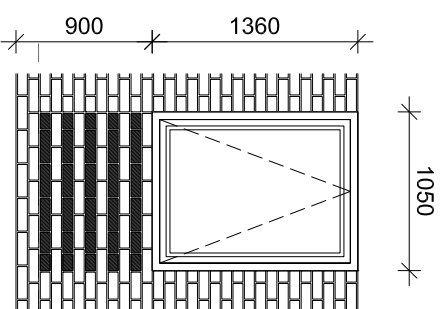
This drawing is to be read in conjunction with all relevant Specifications, schedules and Engineers details.

DETAIL NOTES:

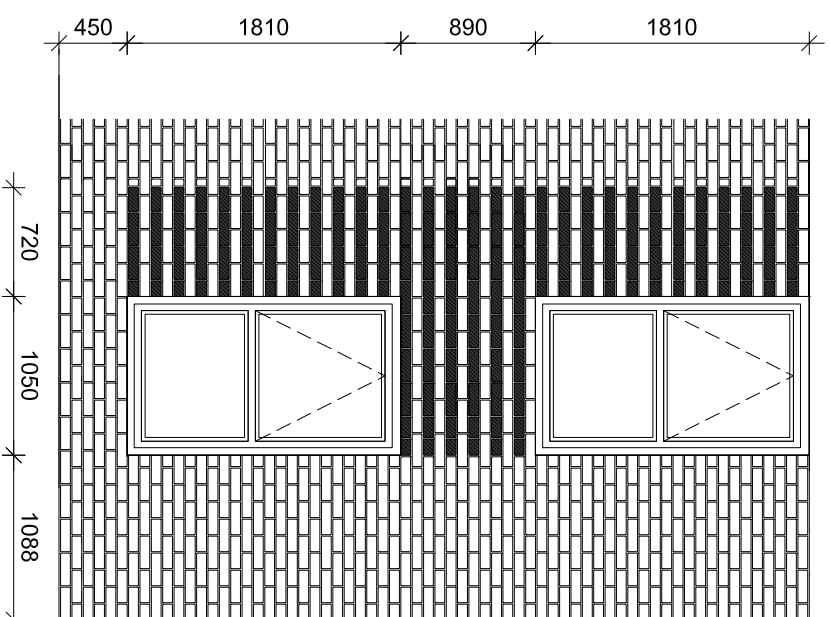
- To be read in conjunction with **Elevational Treatment spreadsheet**
- Hatched brick - Corbel 25mm
- All brick and corbel brick to be the same.



Brick Feature 10
Everglade CT3



Brick Feature 11
Everglade CT3



Brick Feature 12
Everglade CT3



JOB TITLE
Himley Village
Bicester

DRAWING TITLE
Brick Feature 10, 11 & 12

SCALE	DATE	DRAWN
1:50 @ A3	Aug 2025	JPS
DWG NO.		REV.
BA00411-NSD-123		-