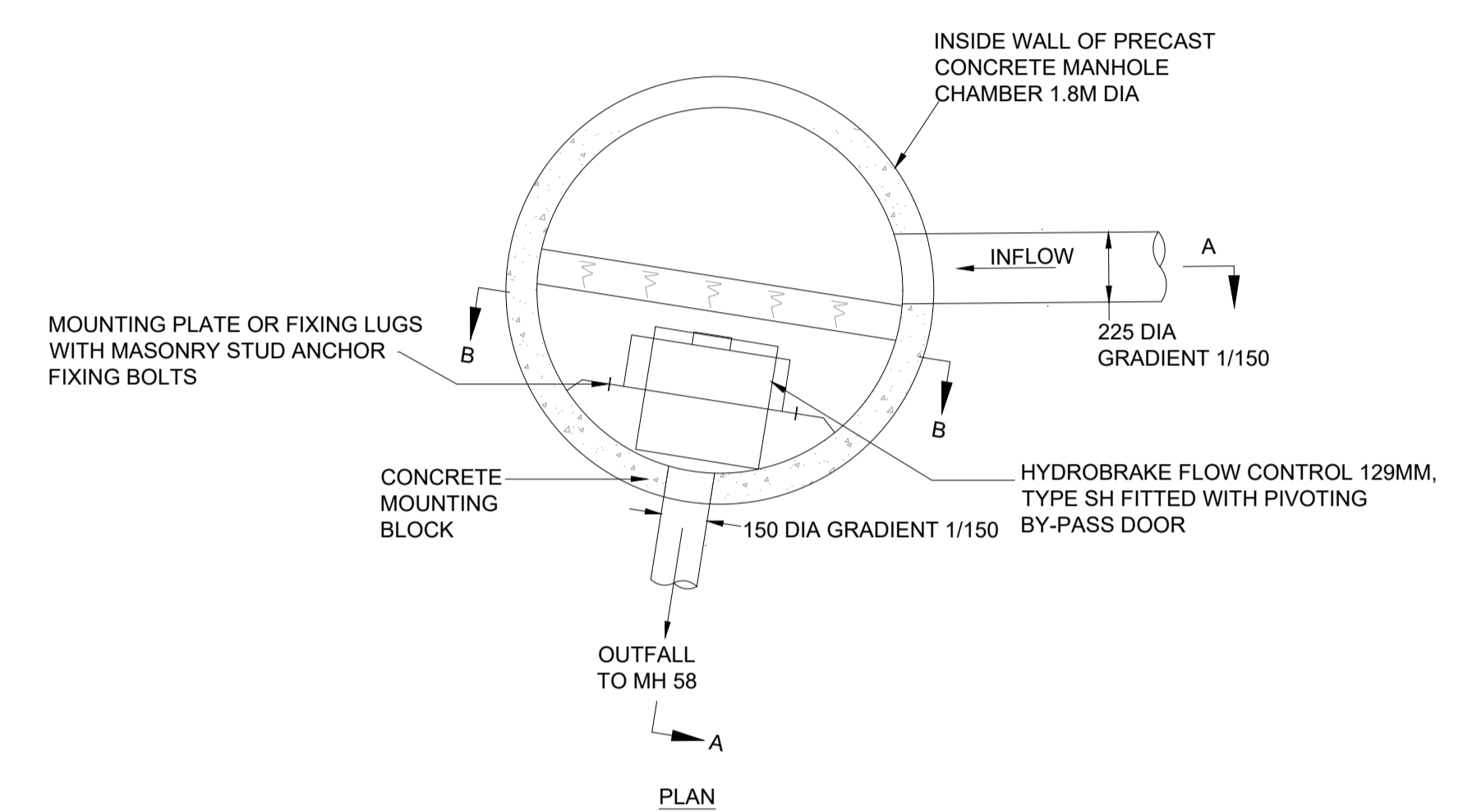


- Notes:
1. Do not scale this drawing
 2. The planning, design and construction of sewers shall be in accordance with Sewerage Sector Guidance Appendix C - 'Design and Construction Guidance'.
 3. All sewers to be laid soffit to soffit unless otherwise shown.
 4. Compliance with Health & Safety matters on any trench/manhole is obligatory and a permit to enter a confined space is required when connecting site drainage to the existing public sewerage system. A permit to enter a confined space will be obtained from the local water authority prior to the works commencing on any public sewerage system.
 5. All pipes to be plastic unless otherwise shown.
 6. Ladders to be galvanised mild steel to BS 4211.
 7. Step rungs to be double width, plastic encapsulated mild steel. Distance between step rungs to be 250-300mm.
 8. Precast concrete rungs will not be cut under any circumstance.
 9. Any and all construction undertaken prior to relevant technical approval is done so at risk.



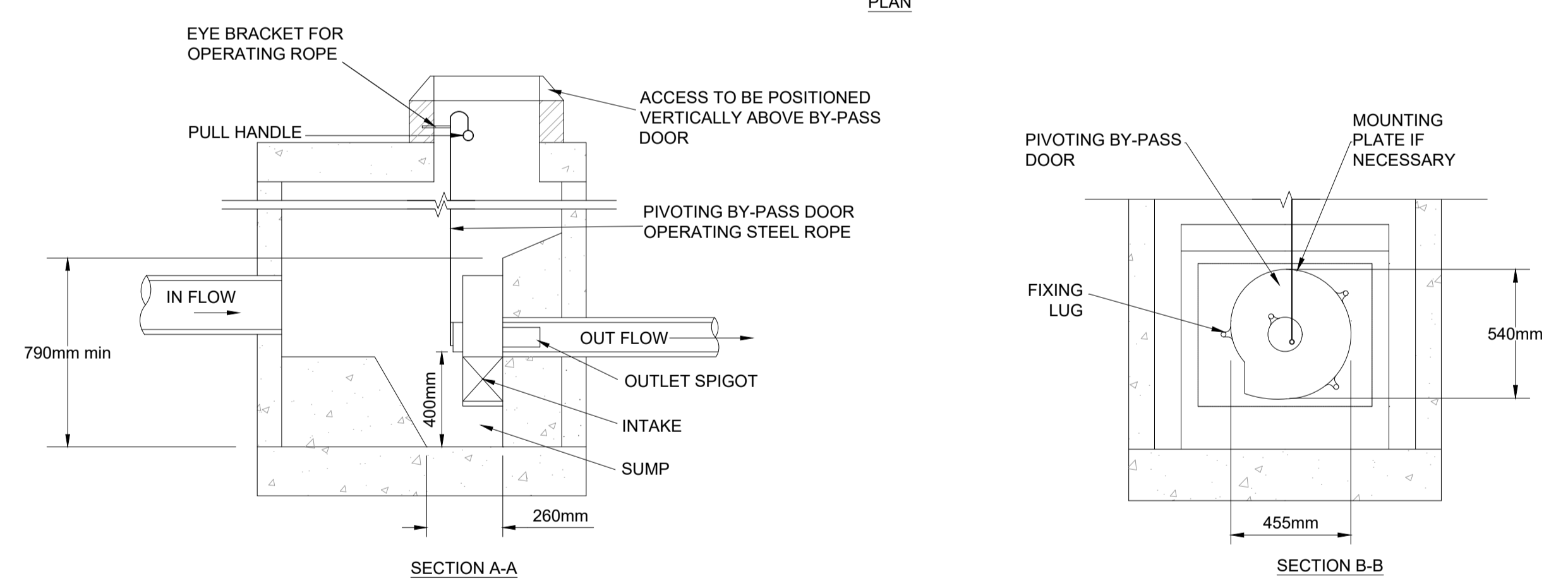
FLOW CONTROL DEVICE DETAILS:

Hydro-Brake Chambers:

S58: CHE-0119-1000-2200-1000 IL 88.050

Orifice Plates:

S48: 50mm orifice plate (non-return valve) IL 90.350



TYPICAL FLOW CONTROL CHAMBER
SCALE 1:20

NOTE: FLOW CONTROL DETAILS & CONSTRUCTION TO BE CONFIRMED WITH ADOPTING AUTHORITY VIA S104 TECHNICAL APPROVAL PROCESS

REVISIONS

P01 23/02/24 First Issue. MT JAC JAC

Rev	Date	Description	By	Ckd	App
-----	------	-------------	----	-----	-----

Hydrock OVER COURT BARN
OVER LANE
ALMONDSBURY
BRISTOL
BS32 4DF
T: +44 (0) 1454 619533
e: bristol@hydrock.com

CLIENT
CALA HOMES

PROJECT
HIMLEY VILLAGE,
BICESTER,
OXFORDSHIRE

TITLE
PHASE 2A
ADOPTABLE DRAINAGE
CONSTRUCTION DETAILS
SHEET 4

HYDROCK PROJECT NO.
C-27141-C SCALE @ A1
AS SHOWN

STATUS DESCRIPTION TENDER	STATUS S2
DRAWING NO. PROJECT CODE ORIGINATOR ZONE LEVEL TYPE-ROLE-NUMBER 27141-HYD-2A-XX-DR-C-0403	REVISION P01