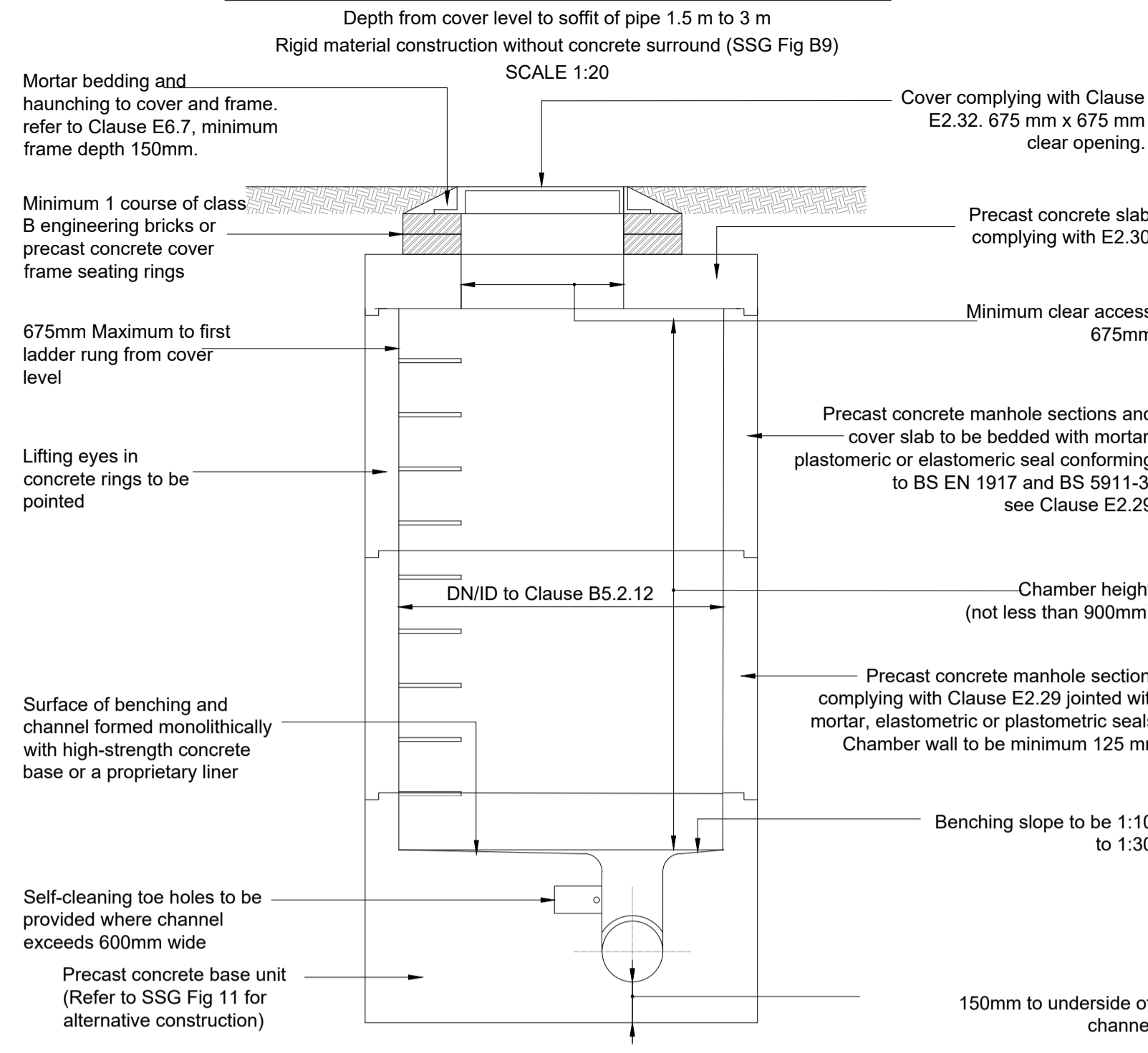
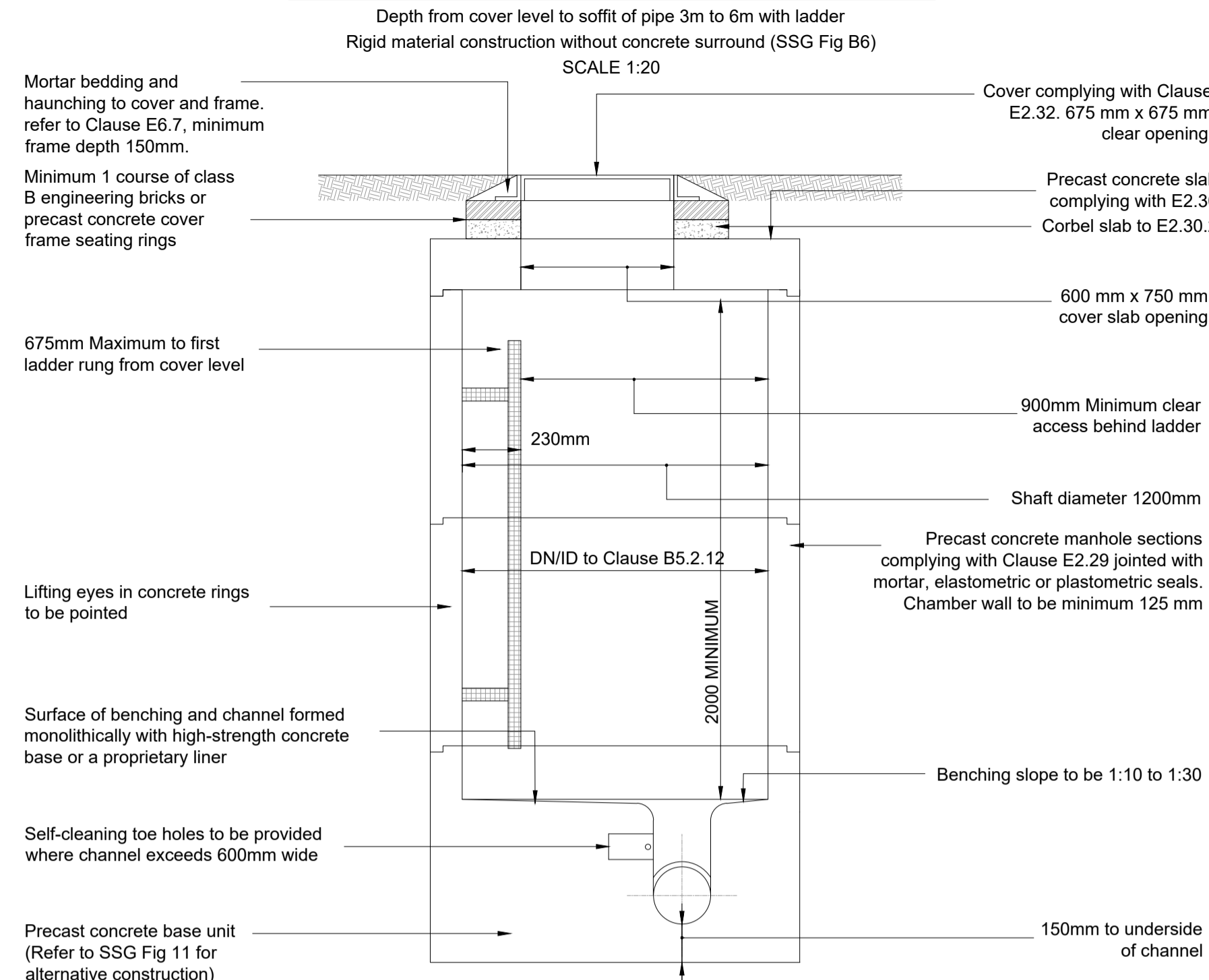


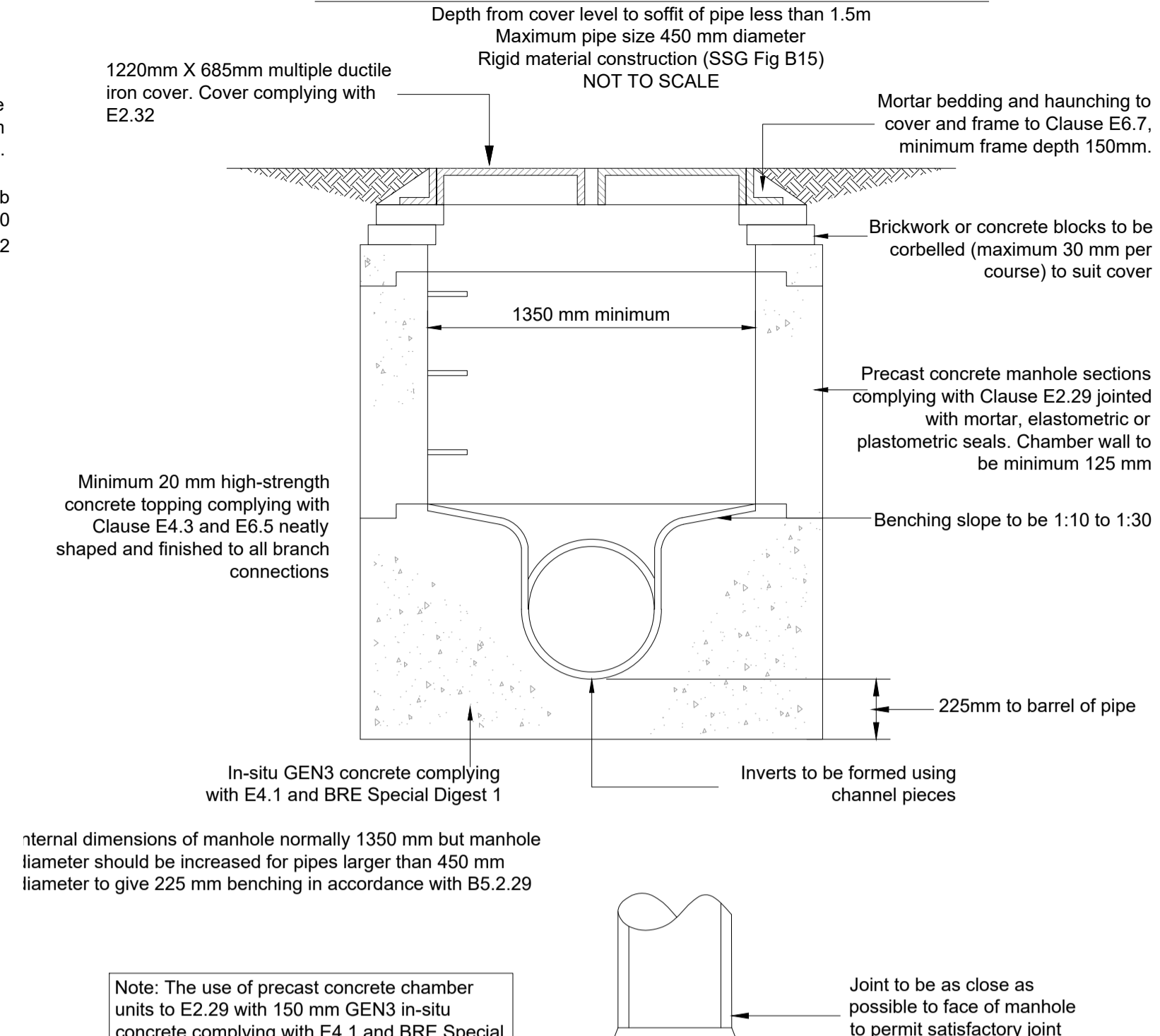
### TYPICAL MANHOLE DETAIL - TYPE B



### TYPICAL MANHOLE DETAIL - TYPE A2

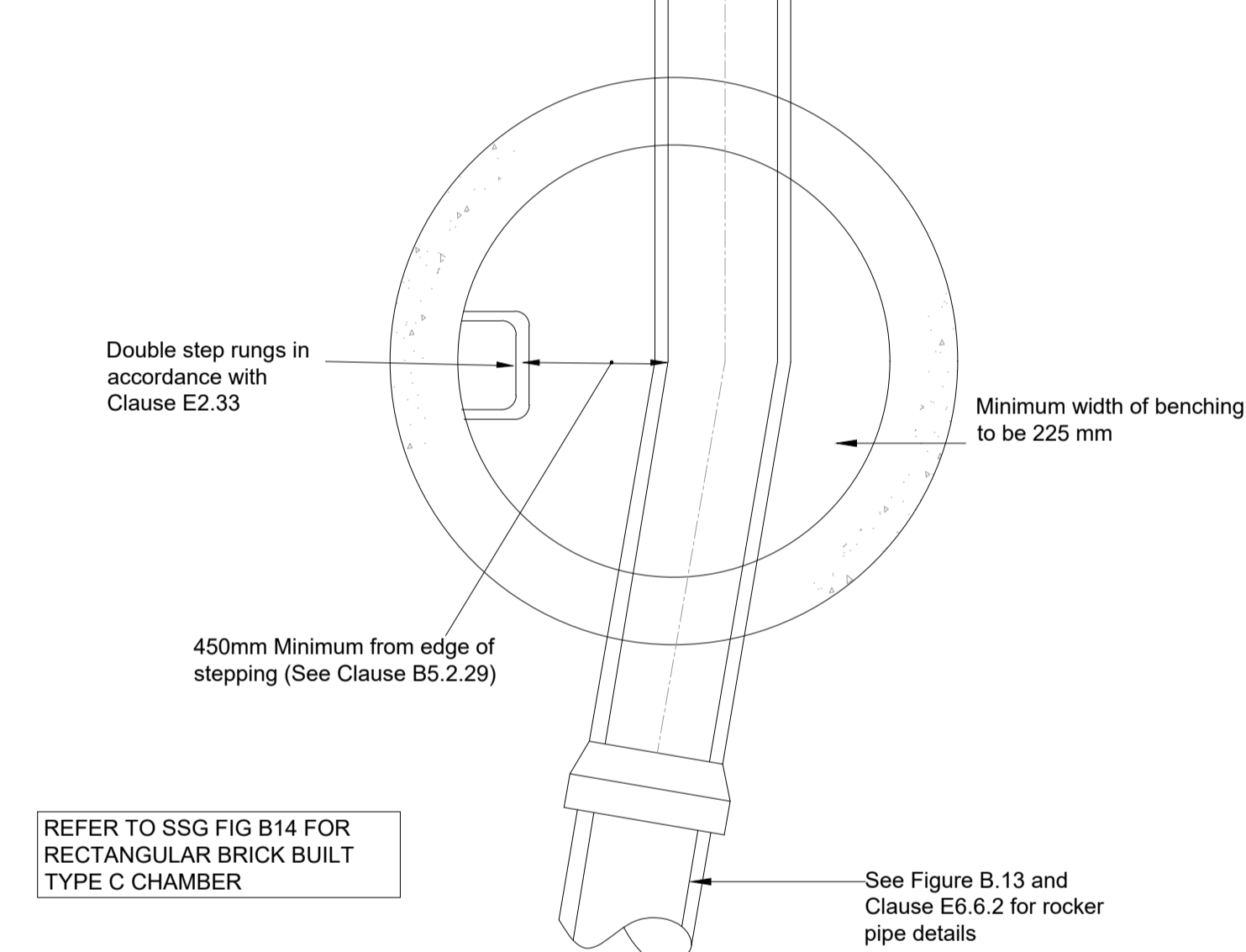
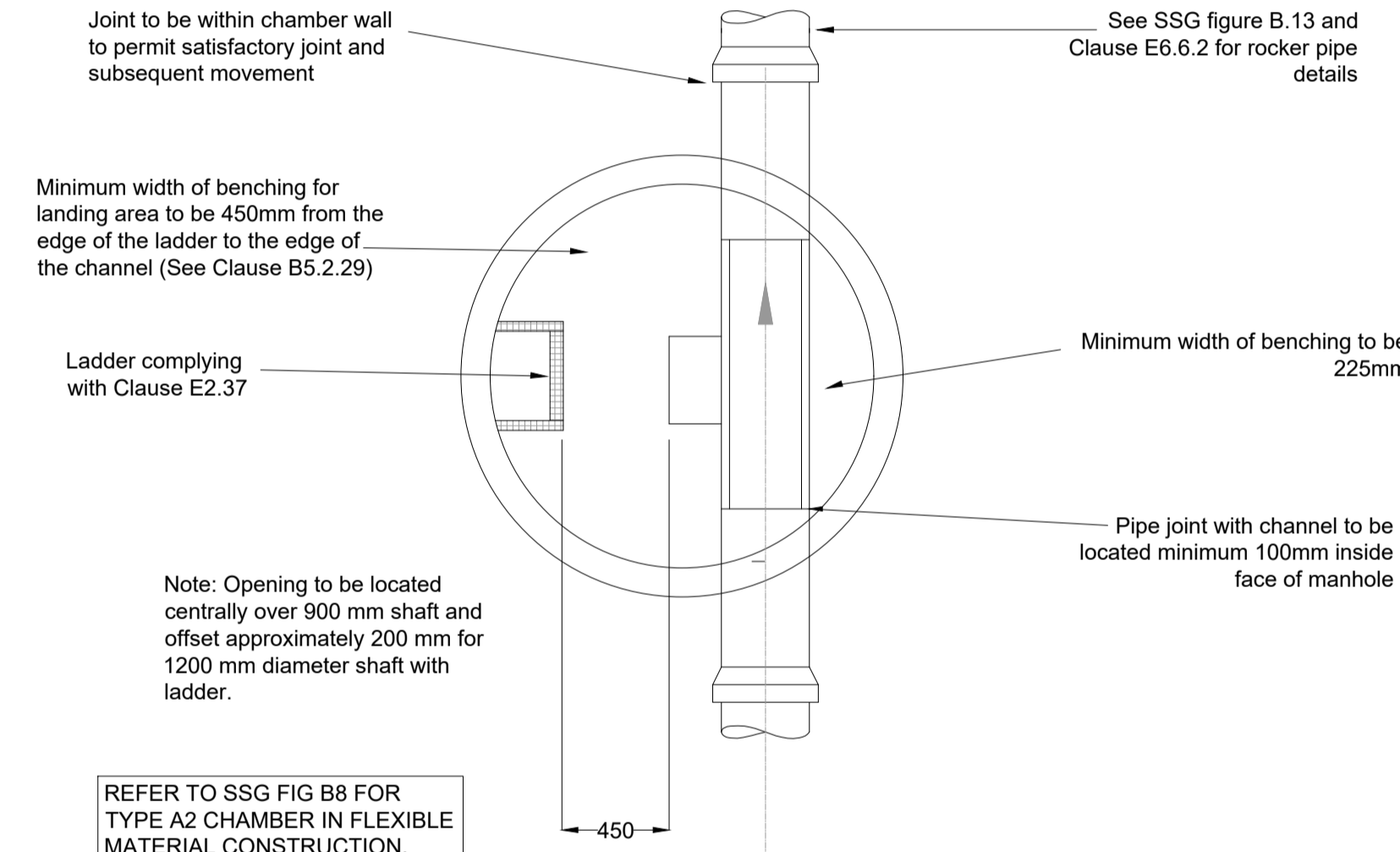
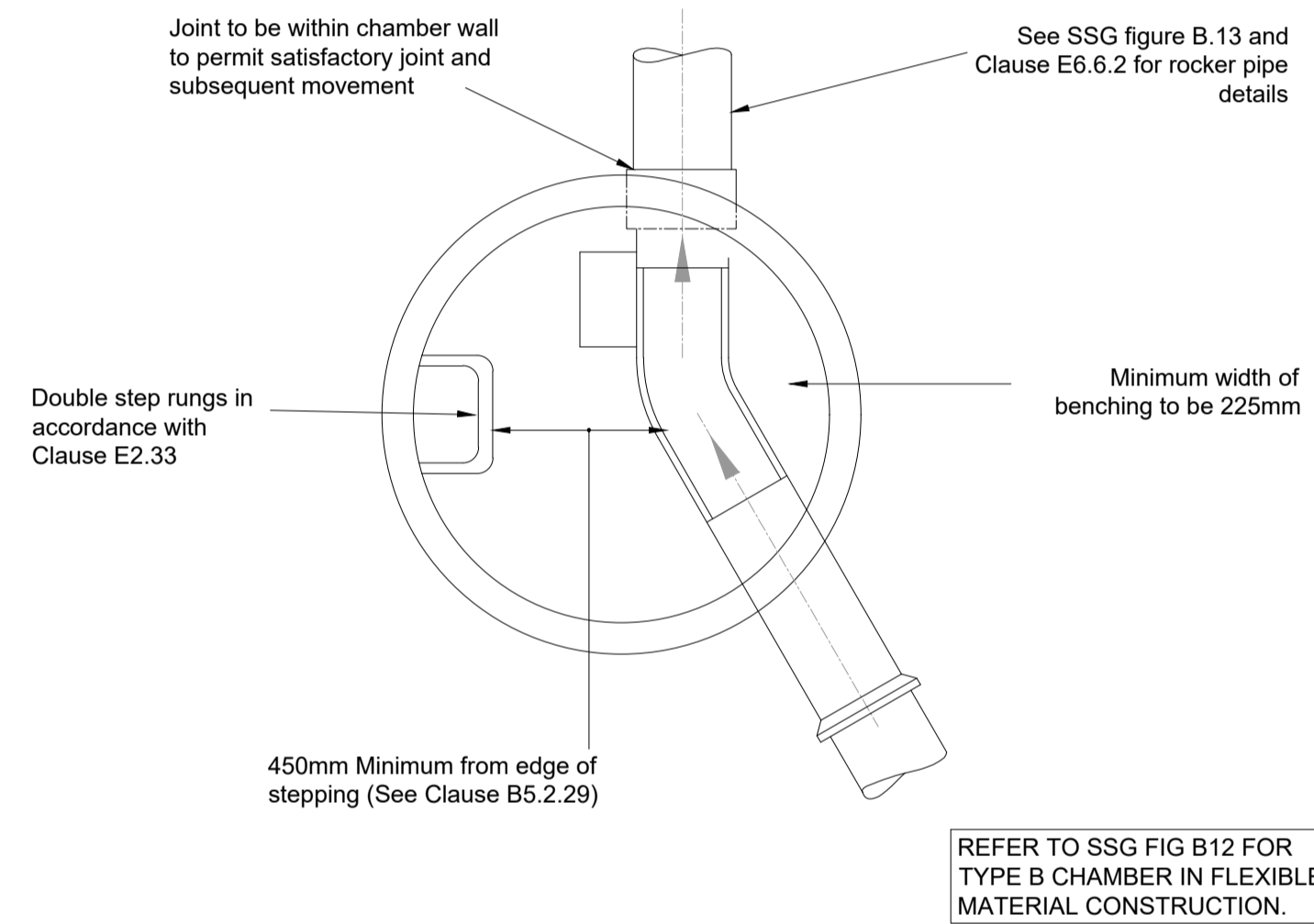


### TYPICAL MANHOLE DETAIL - TYPE 'C'



Notes:

- Do not scale this drawing
- The planning, design and construction of sewers shall be in accordance with Sewerage Sector Guidance Appendix C - 'Design and Construction Guidance'.
- All sewers to be laid soffit to soffit unless otherwise shown.
- Compliance with Health & Safety matters on any trench/manhole is obligatory and a permit to enter a confined space is required when connecting site drainage to the existing public sewerage system. A permit to enter a confined space will be obtained from the local water authority prior to the works commencing on any public sewerage system.
- All pipes to be plastic unless otherwise shown.
- Ladders to be galvanised mild steel to BS 4211.
- Step rungs to be double width, plastic encapsulated mild steel. Distance between step rungs to be 250-300mm.
- Precast concrete rungs will not be cut under any circumstance.
- Any and all construction undertaken prior to relevant technical approval is done so at risk.



Roads and sewers issued for construction at request of the client. Note site is subject to planning approval, S104, and S38. Any construction is at risk, and subject to change

REVISIONS

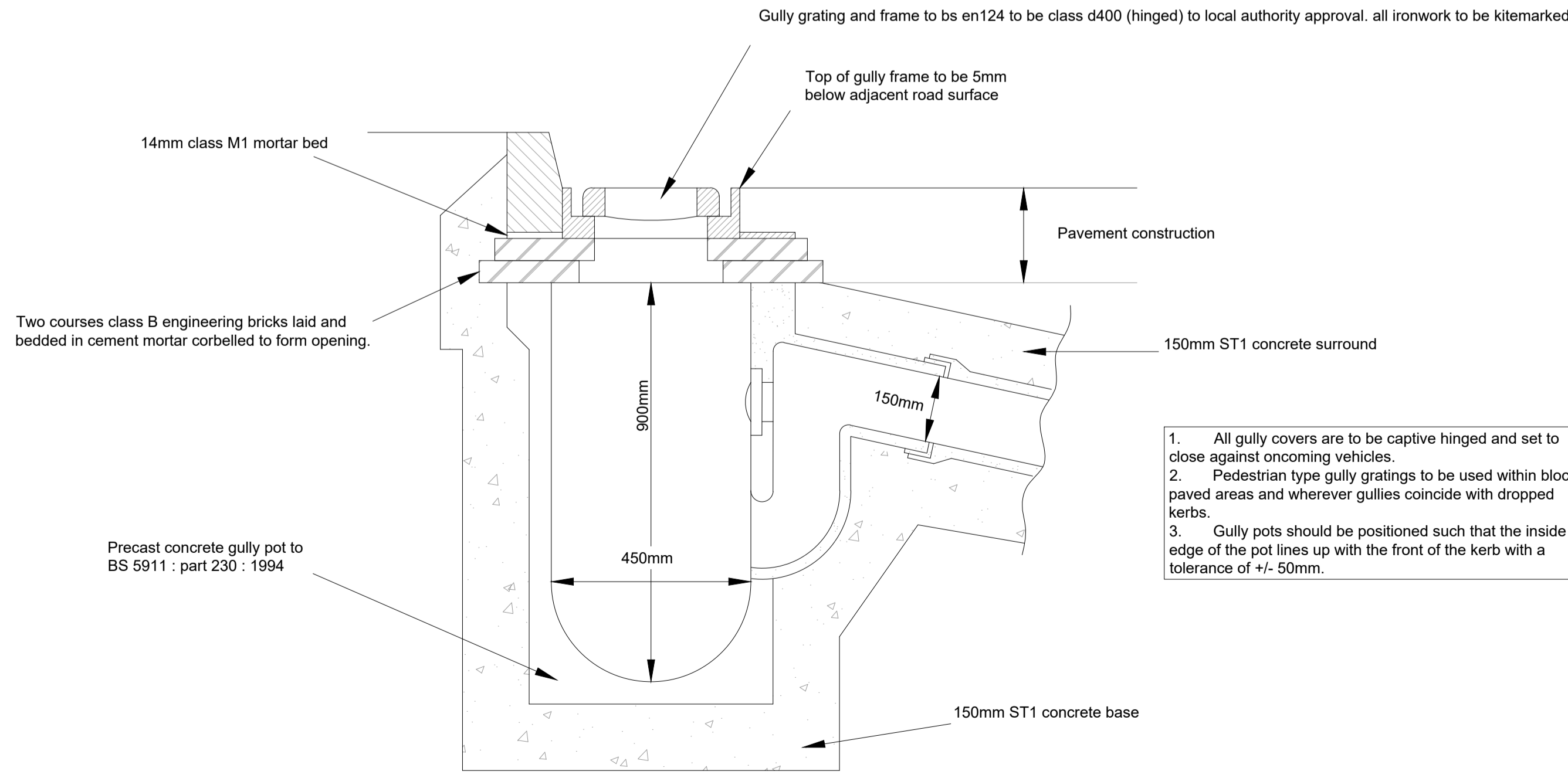
Rev	Date	Description	By	Ckd	App
C01	13/09/24	Roads and sewers issued for construction.	JH	OD	OD
P02	09/07/24	Back drop detail added. 675x675mm openings to manholes	DN	OD	OD
P01	08/03/24	First Issue.	BT	JAC	JAC

CLIENT: CALA HOMES

PROJECT: HIMLEY VILLAGE, BICESTER, OXFORDSHIRE

TITLE: PHASE 2A ADOPTABLE DRAINAGE CONSTRUCTION DETAILS SHEET 2

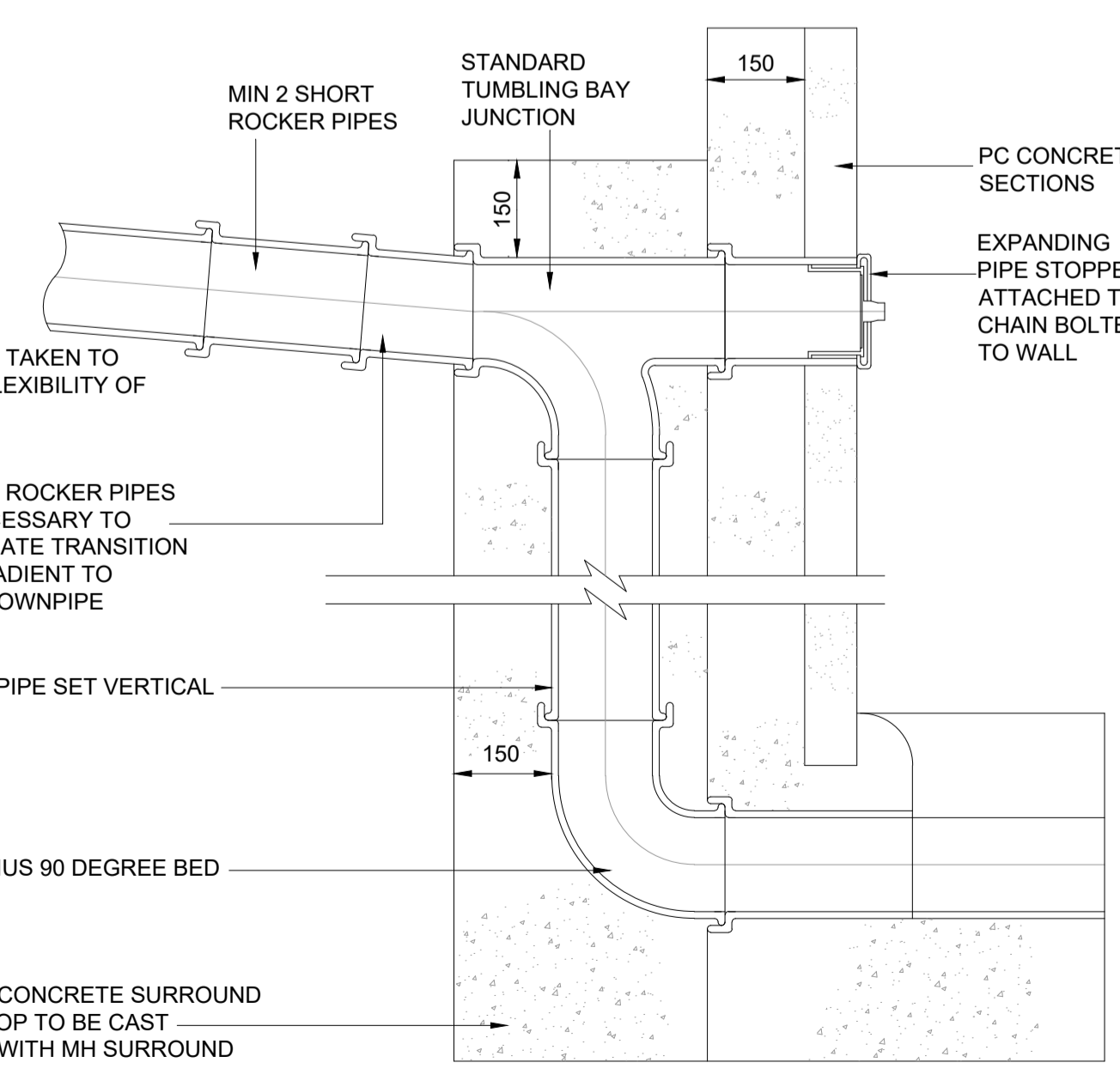
HYDROCK PROJECT NO. C-27141-C	SCALE @ A1 AS SHOWN	STATUS D4
STATUS DESCRIPTION CONSTRUCTION	DRAWING NO. (PROJECT CODE-ORIGINATOR-ZONE-LEVEL-TYPE-ROLE-NUMBER) 27141-HYD-2A-XX-DR-C-0401	REVISION C01



- All gully covers are to be captive hinged and set to close against oncoming vehicles.
- Pedestrian type gully gratings to be used within block paved areas and wherever gullies coincide with dropped kerbs.
- Gully pots should be positioned such that the inside edge of the pot lines up with the front of the kerb with a tolerance of +/- 50mm.

### GULLY DETAIL

SCALE 1:10



### TYPICAL VERTICAL BACKDROP DETAIL

Note : steeper gradients are preferred to the use of backdrops

SCALE 1:10