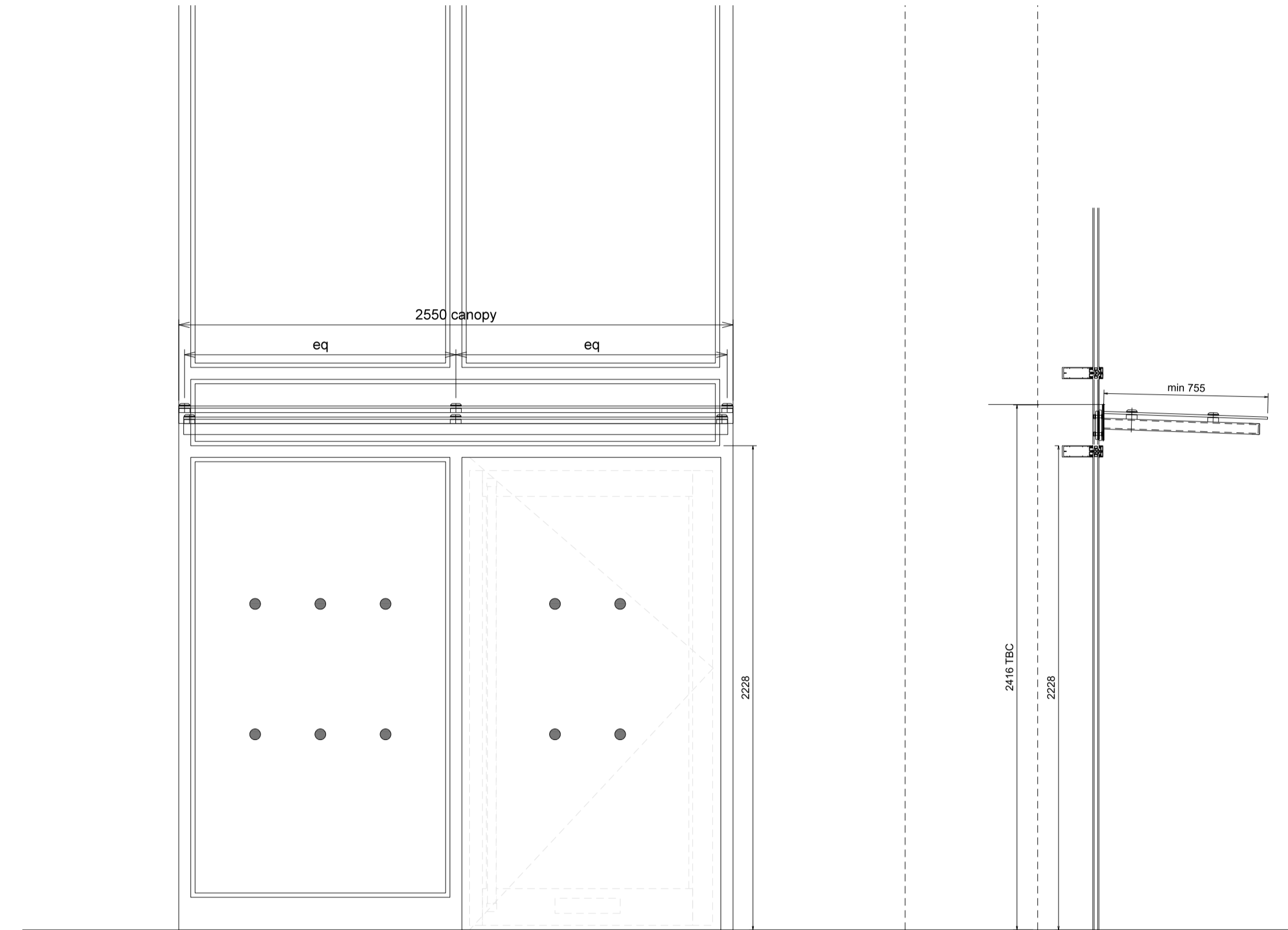


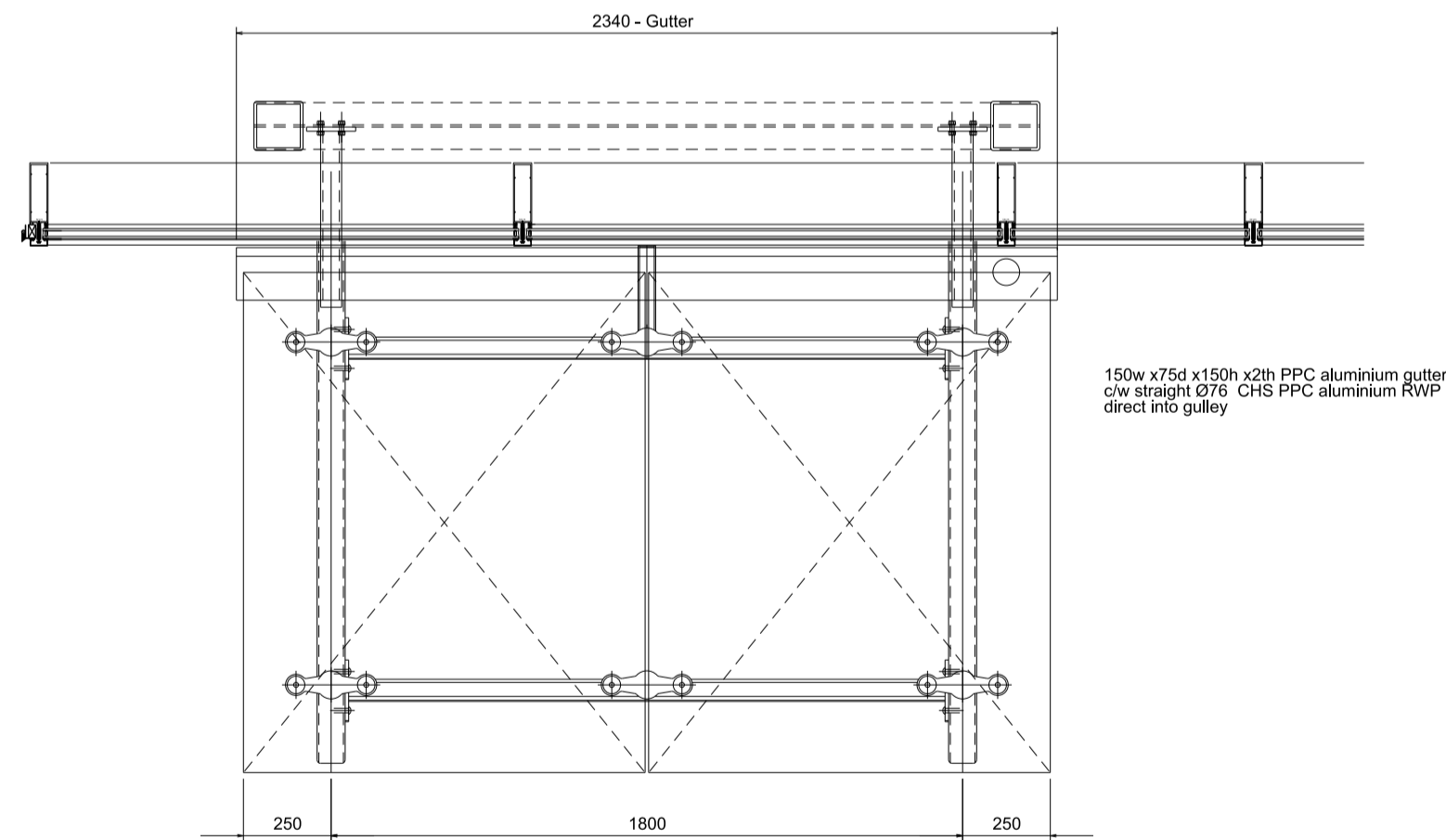
01 CANTILEVERED ENTRANCE CANOPY - TYPE 1
025 typical front elevation - Units 4+5

02 CANTILEVERED ENTRANCE CANOPY - TYPE 1
025 typical side elevation - Units 4+5

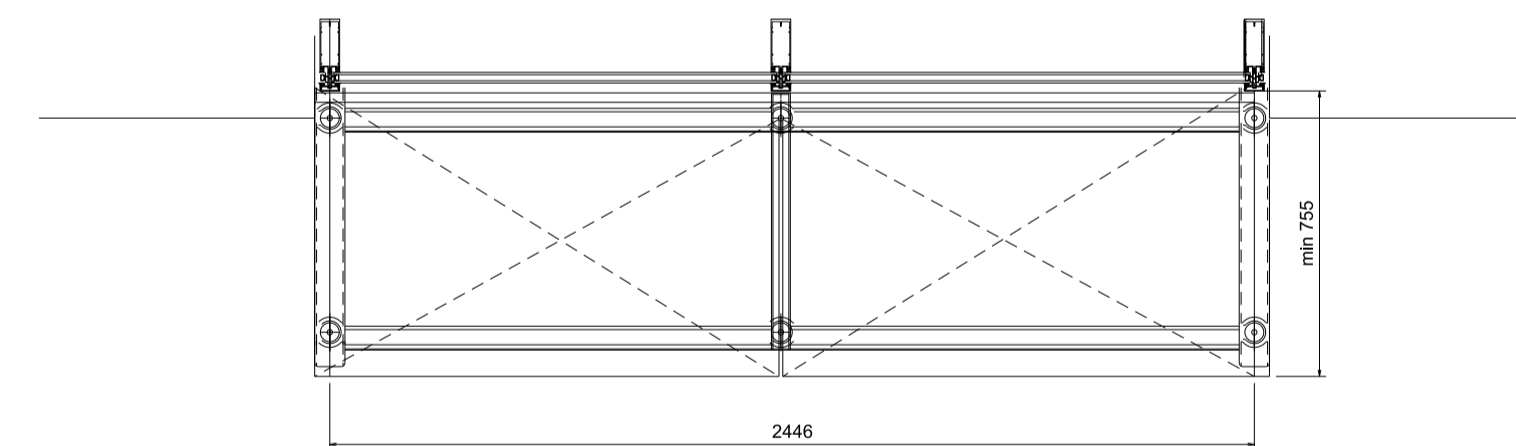


04 CANTILEVERED ENTRANCE CANOPY - TYPE 2
025 typical front elevation - Units 1-3

05 CANTILEVERED ENTRANCE CANOPY - TYPE 2
025 typical side elevation - Units 1-3



03 CANTILEVERED ENTRANCE CANOPY - TYPE 1
025 typical plan - Units 4+5



06 CANTILEVERED ENTRANCE CANOPY - TYPE 2
025 typical plan - Units 1-3

Rev	Description	Chk	Date
A	Unit References updated.	SM	07/03/2024

27 Greville Street
London EC1N 8SU

tel +44(0)20 7400 2120

enquiries@cornisharchitects.com
www.cornisharchitects.com

RIBA Chartered Practice

cornisharchitects

Project Title:
PHASE 3 AXIS J9 BICESTER

Drawing Title:
ENTRANCE CANOPY DETAILS

Drawing Status:
TOWN PLANNING

Scale:
0 200 millimetres 1600

Drawn By: S K Scale: 1:20 @ A1 Date: 20/08/2021 Chk'd By: C S

ALBION LAND

Drawing No: **20019 - TP - 025** Rev: **A**