

448000

449500

450000

450500

451000

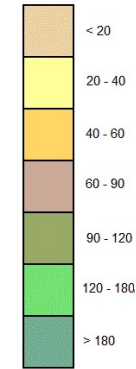
M M
MOTT
MACDONALD

General

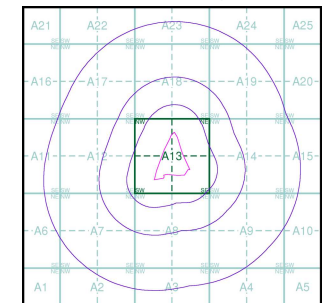
- ▭ Specified Site
- Specified Buffer(s)
- X Bearing Reference Point

Estimated Soil Chemistry Chromium

Chromium Concentrations mg/kg



Estimated Soil Chemistry Chromium - Slice A



Order Details

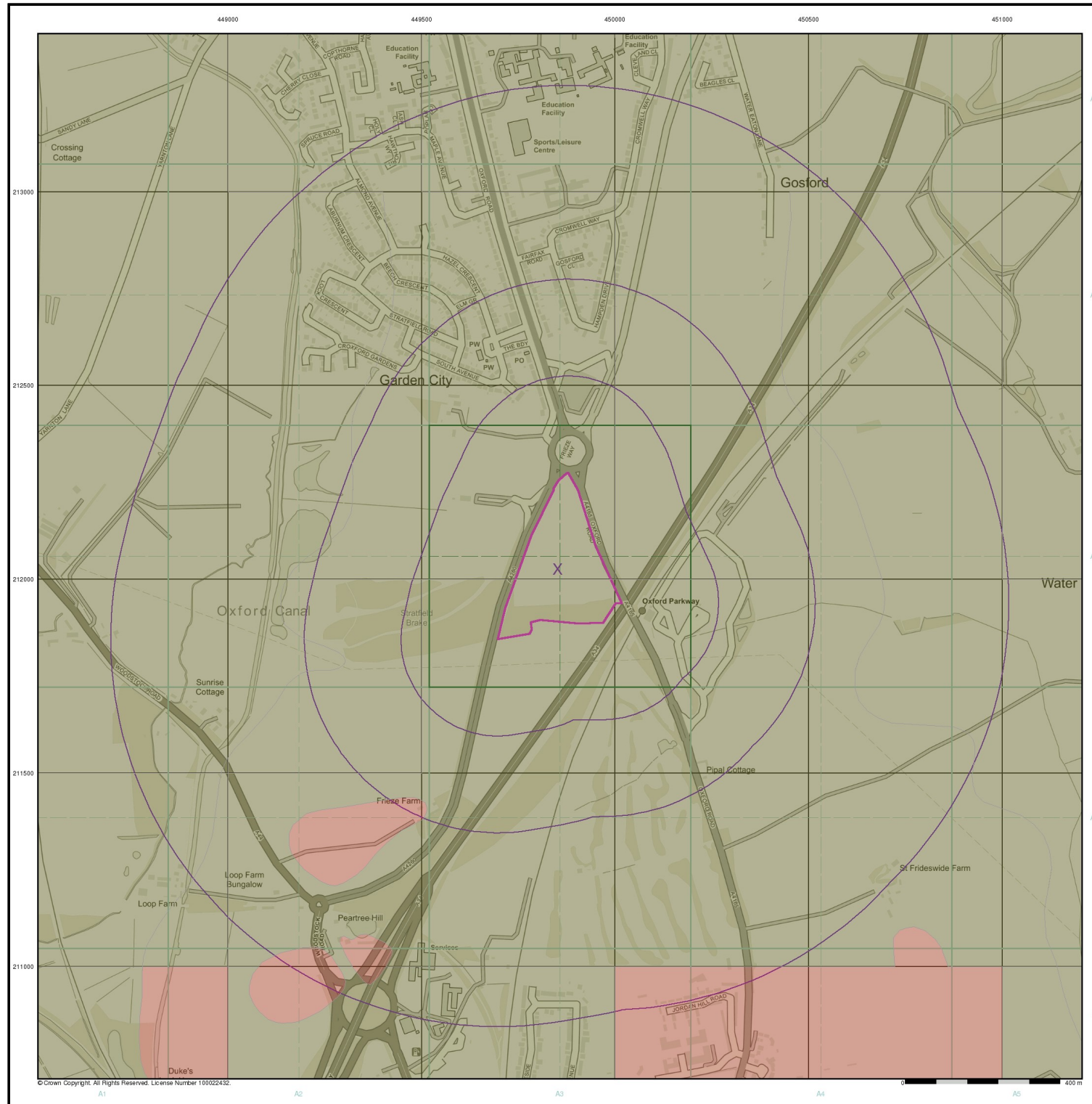
Order Details: 310784179_1_1
 Customer Ref: 100111993 GEO02
 National Grid Reference: 449850, 212030
 Slice: A
 Site Area (Ha): 7.02
 Search Buffer (m): 1000

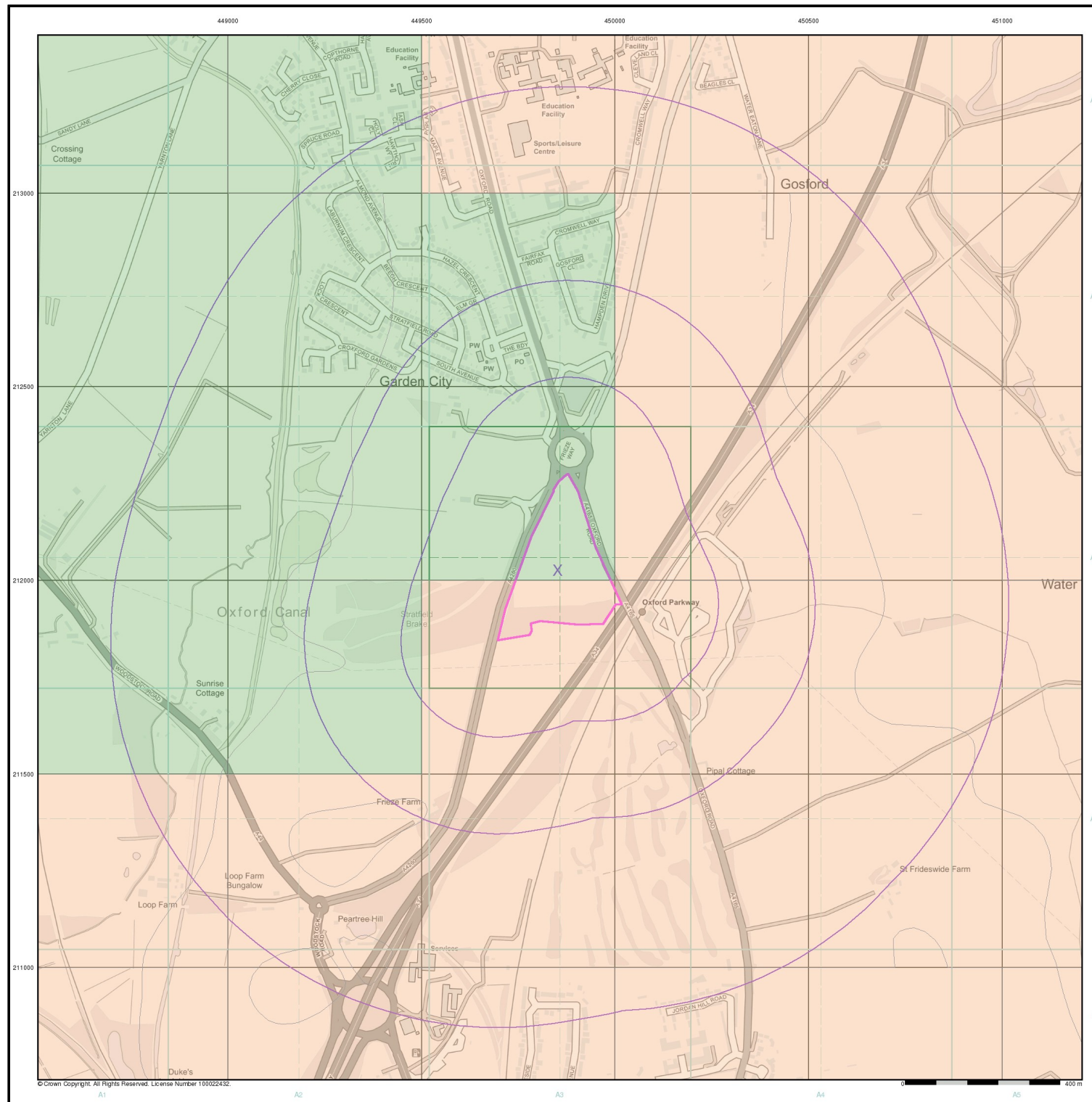
Site Details

Site at 449850, 211960

Landmark
INFORMATION GROUP

Tel: 0844 844 9952
 Fax: 0844 844 9951
 Web: www.envirocheck.co.uk





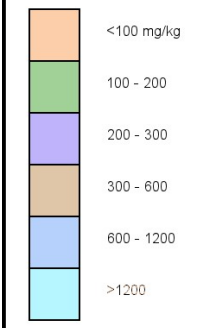
M M
MOTT
MACDONALD

General

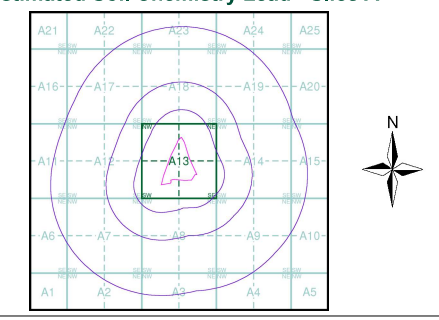
- ▭ Specified Site
- Specified Buffer(s)
- X Bearing Reference Point

Estimated Soil Chemistry Lead

Lead Concentrations mg/kg



Estimated Soil Chemistry Lead - Slice A



Order Details

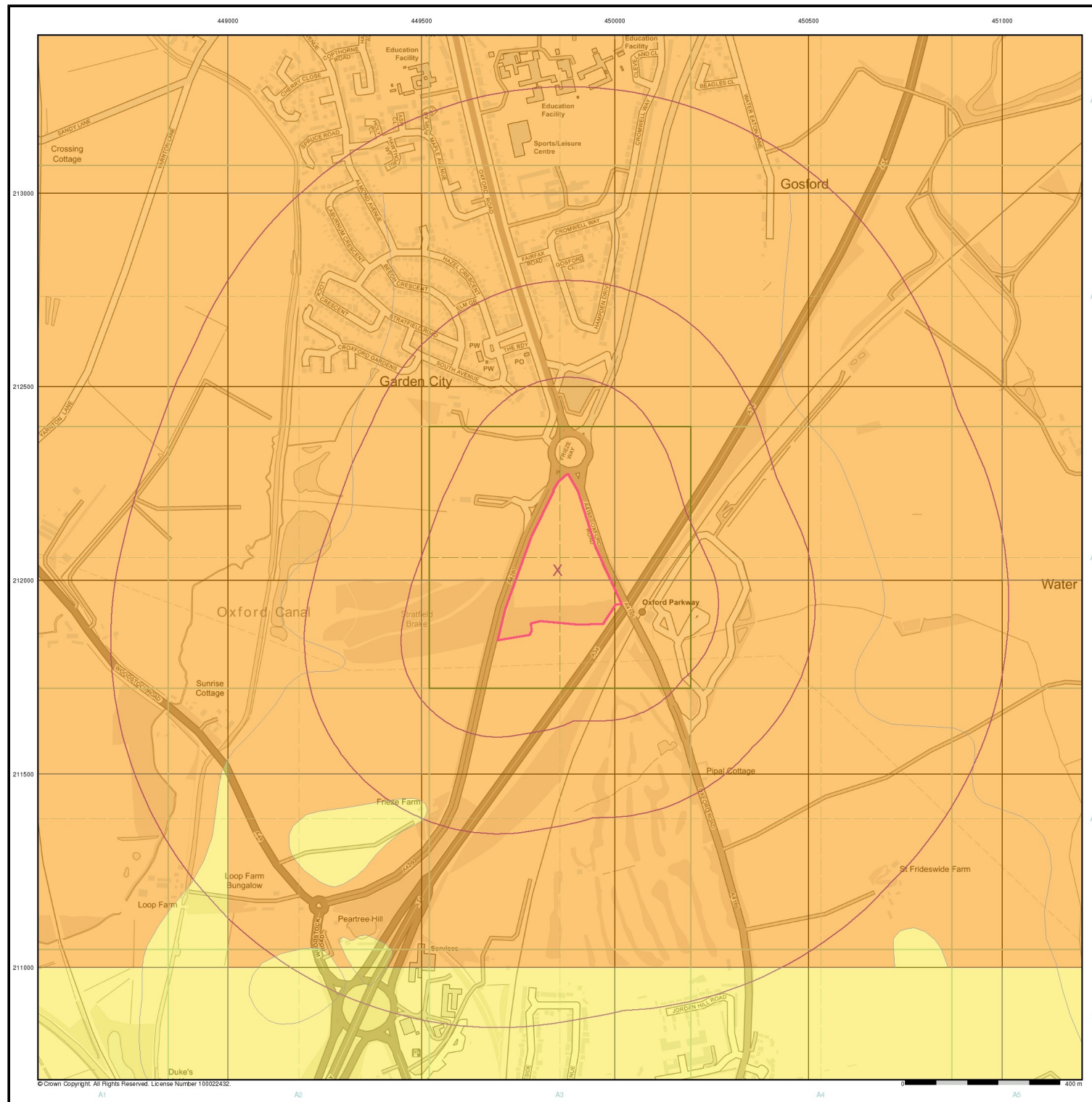
Order Details: 310784179_1_1
 Customer Ref: 100111993 GEO02
 National Grid Reference: 449850, 212030
 Slice: A
 Site Area (Ha): 7.02
 Search Buffer (m): 1000

Site Details

Site at 449850, 211960

Landmark
 INFORMATION GROUP

Tel: 0844 844 9952
 Fax: 0844 844 9951
 Web: www.envirocheck.co.uk



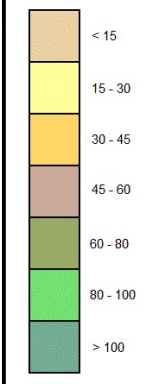
M M
MOTT
MACDONALD

General

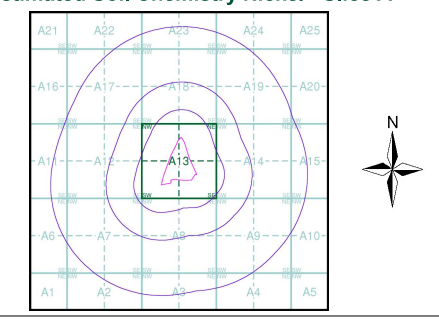
- Specified Site
- Specified Buffer(s)
- X Bearing Reference Point

Estimated Soil Chemistry Nickel

Nickel Concentrations mg/kg



Estimated Soil Chemistry Nickel - Slice A



Order Details

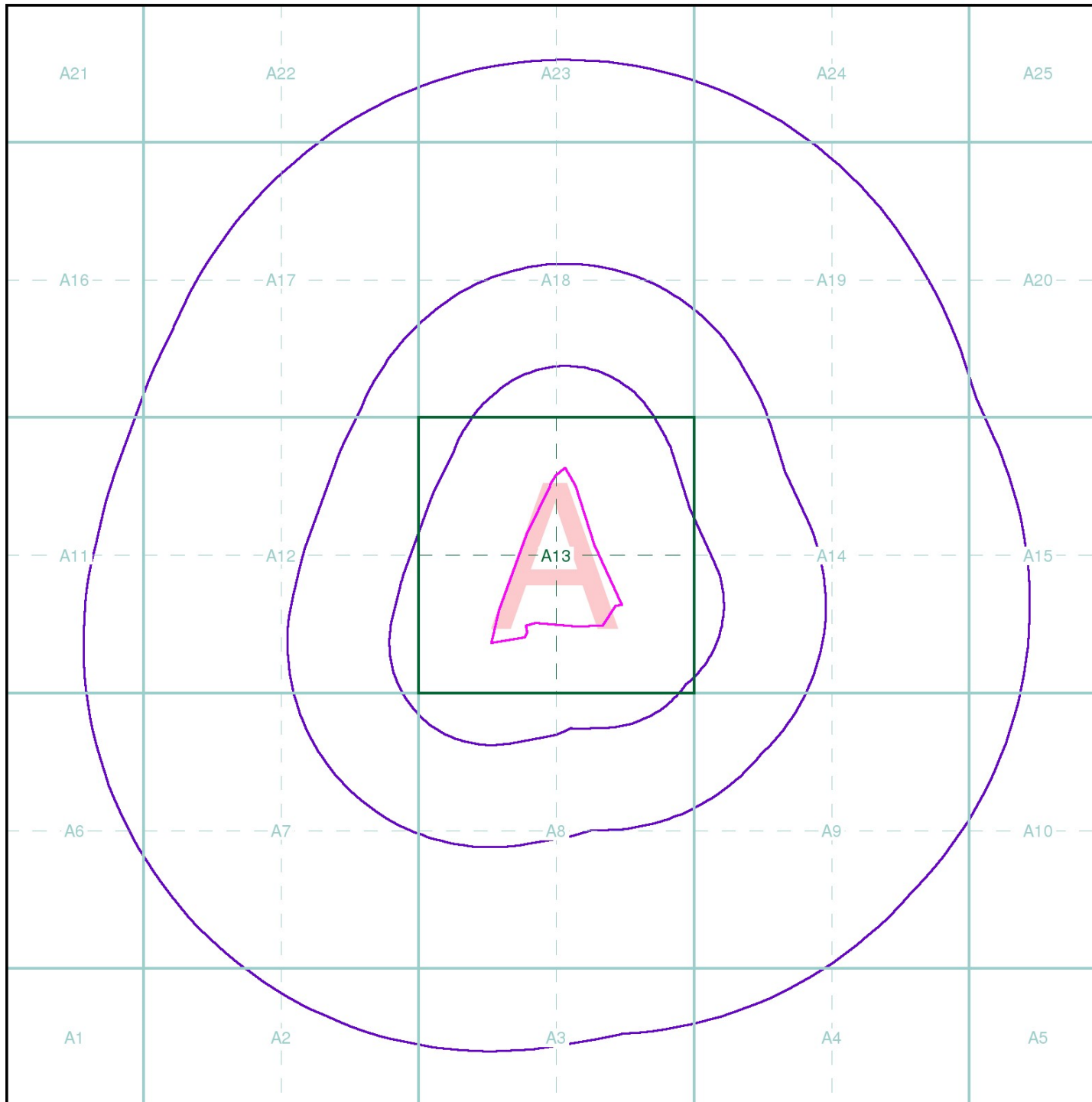
Order Details: 310784179_1_1
 Customer Ref: 100111993 GEO02
 National Grid Reference: 449850, 212030
 Slice: A
 Site Area (Ha): 7.02
 Search Buffer (m): 1000

Site Details

Site at 449850, 211960

Landmark
 INFORMATION GROUP

Tel: 0844 844 9952
 Fax: 0844 844 9951
 Web: www.envirocheck.co.uk



M M

**MOTT
MACDONALD**
Index Map

For ease of identification, your site and buffer have been split into Slices, Segments and Quadrants. These are illustrated on the Index Map opposite and explained further below.

Slice
Each slice represents a 1:10,000 plot area (2.7km x 2.7km) for your site and buffer. A large site and buffer may be made up of several slices (represented by a red outline), that are referenced by letters of the alphabet, starting from the bottom left corner of the slice "grid". This grid does not relate to National Grid lines but is designed to give best fit over the site and buffer.

Segment
A segment represents a 1:2,500 plot area. Segments that have plot files associated with them are shown in dark green, others in light blue. These are numbered from the bottom left hand corner within each slice.

Quadrant
A quadrant is a quarter of a segment. These are labelled as NW, NE, SW, SE and are referenced in the datasheet to allow features to be quickly located on plots. Therefore a feature that has a quadrant reference of A7NW will be in Slice A, Segment 7 and the NW Quadrant.

A selection of organisations who provide data within this report:



Envirocheck reports are compiled from 136 different sources of data.

Client Details

Miss S Kerr, Mott Macdonald, 22 Station Road, Cambridge, CB1 2JD

Order Details

Order Number: 310784179_1_1
Customer Ref: 100111993 GEO02
National Grid Reference: 449860, 212020
Site Area (Ha): 7.02
Search Buffer (m): 1000

Site Details

Site at 449850, 211960

Full Terms and Conditions can be found on the following link:
<http://www.landmarkinfo.co.uk/Terms/Show/515>



Tel: 0844 844 9952
Fax: 0844 844 9951
Web: www.envirocheck.co.uk