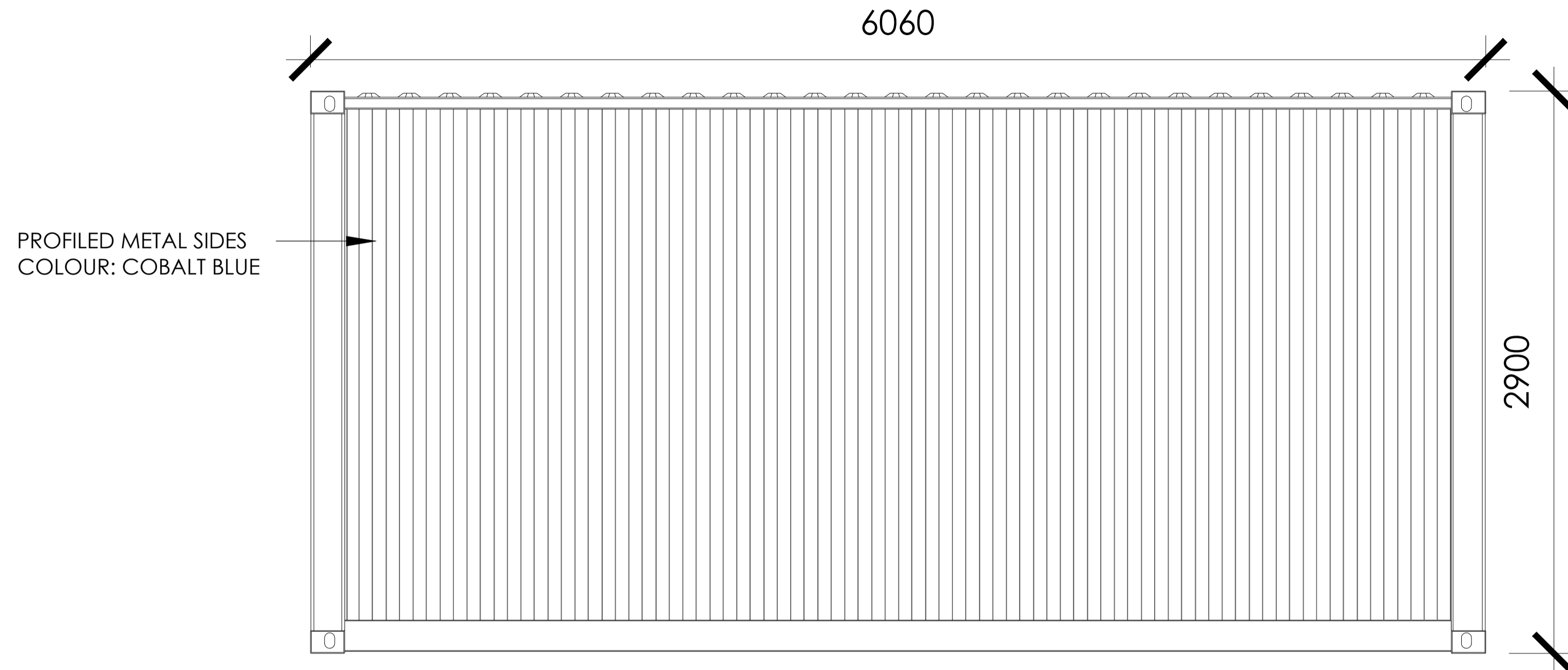
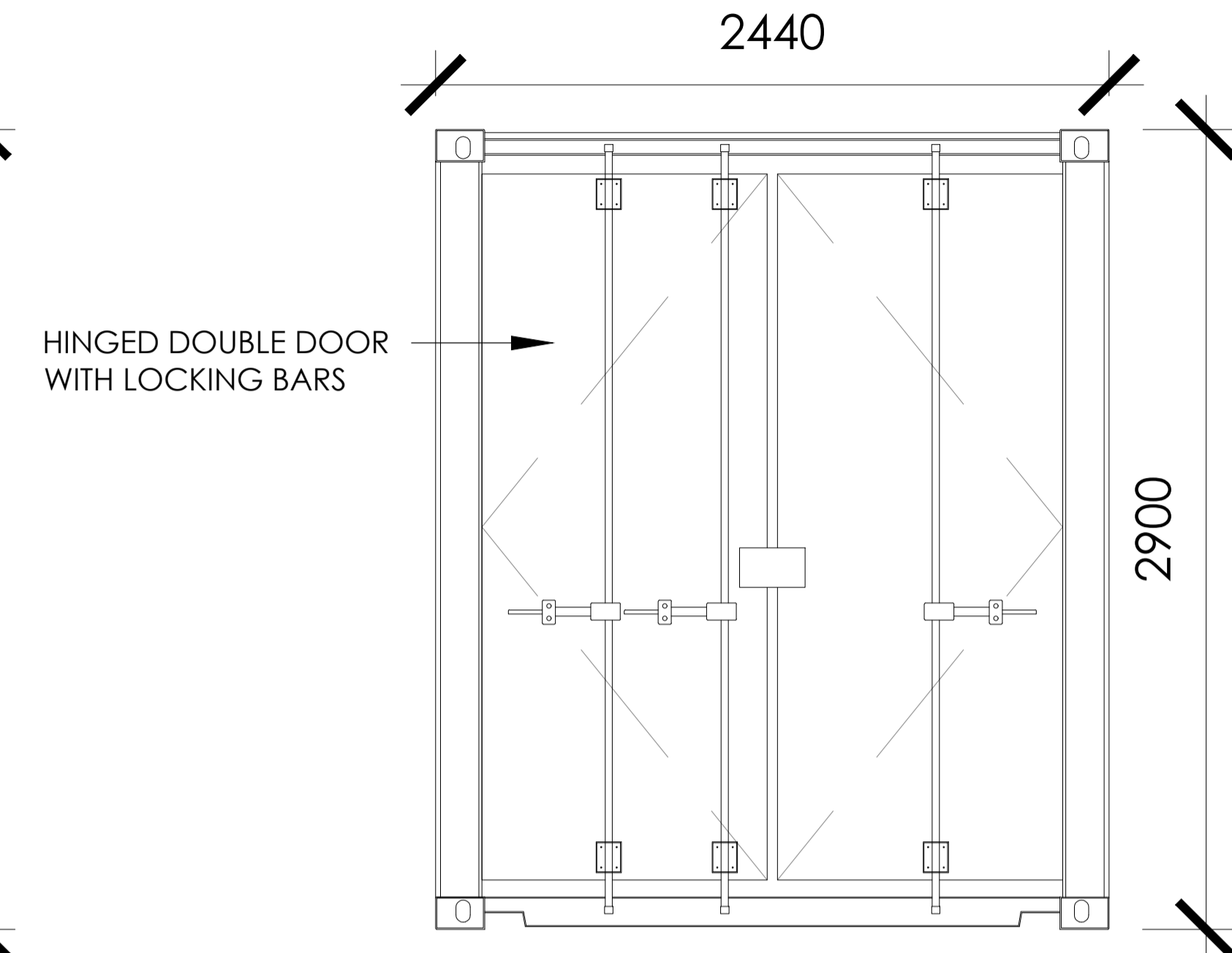


NOTES

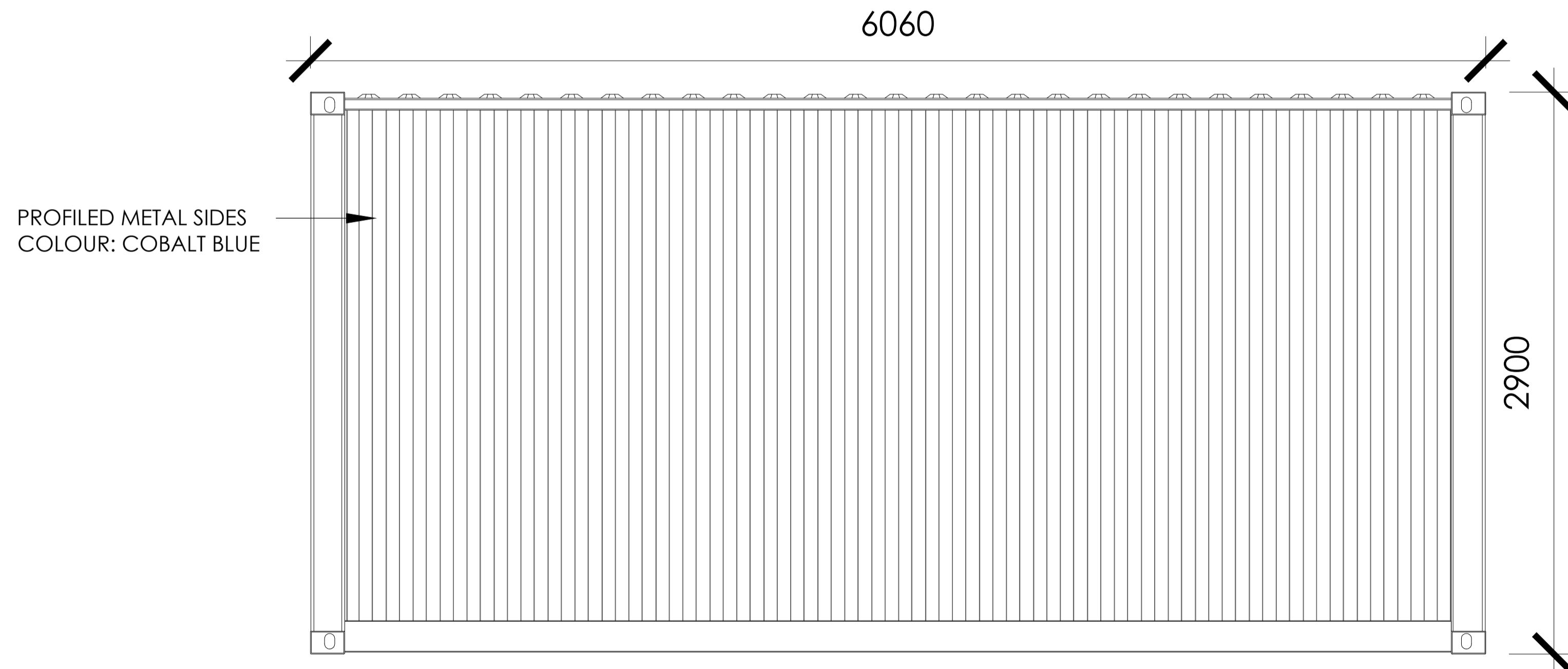
1. IF THIS DRAWING HAS BEEN RECEIVED ELECTRONICALLY IT IS THE RECIPIENT'S RESPONSIBILITY TO PRINT THE DOCUMENT TO THE CORRECT SCALE.
2. ALL DIMENSIONS ARE IN MILLIMETRES UNLESS STATED OTHERWISE. IT IS RECOMMENDED THAT INFORMATION IS NOT SCALED OFF THIS DRAWING.
3. THIS DRAWING SHOULD BE READ IN CONJUNCTION WITH ALL OTHER RELEVANT DRAWINGS AND SPECIFICATIONS.



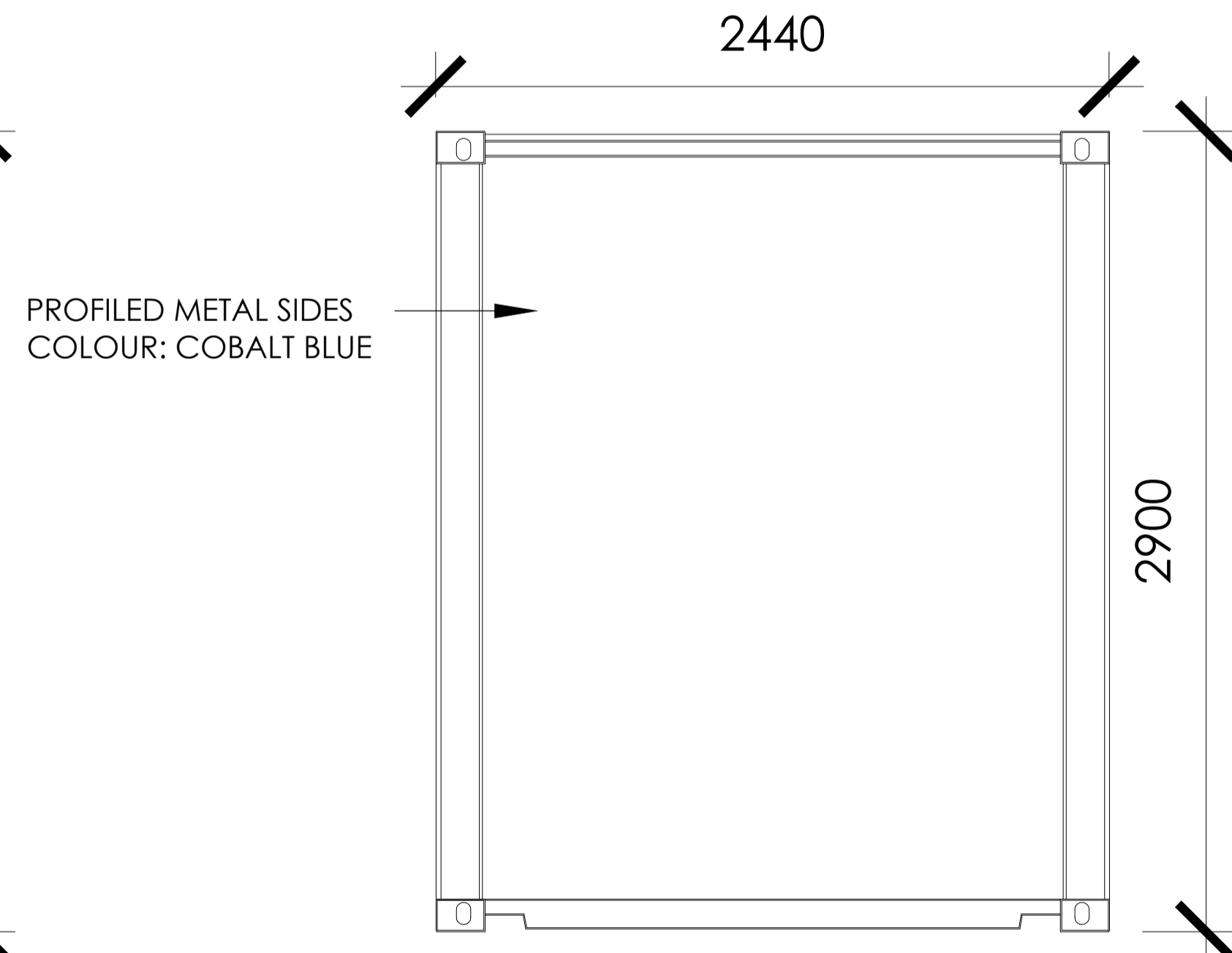
SOUTH WALL ELEVATION



EAST WALL ELEVATION



NORTH WALL ELEVATION



WEST WALL ELEVATION

PLANNING ISSUE

PL1	PLANNING ISSUE 1	CG	01.12.23	MD	
REV.	AMENDMENT		DRAWN	DATE	AUTHD

client: WAE TECHNOLOGIES LTD.

project: OXFORD TECHNOLOGY PARK

site: TECHNOLOGY DR, LANGFORD LN
KIDLINGTON, OXFORDSHIRE

content: BUILDING 5
WATER TANK PROPOSED ELEVATIONS

date: DECEMBER 2023

scale: 1 : 20 @ A1

ALL DIMENSIONS TO BE CHECKED ON SITE

GARRETT | MCKEE
ARCHITECTS
RILEY HOUSE
RILEY ROAD
MARLOW
BUCKINGHAMSHIRE
T: 01628 907000
www.garrettmckee.co.uk