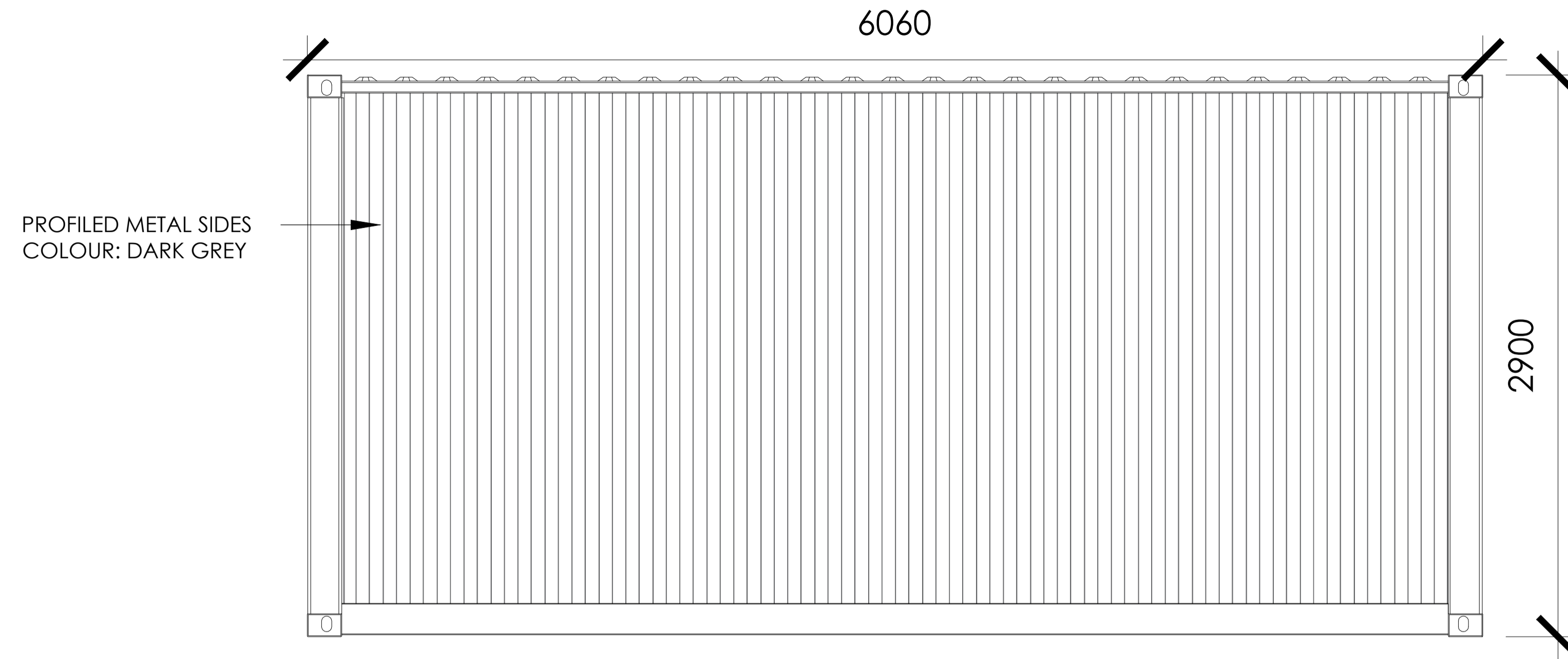
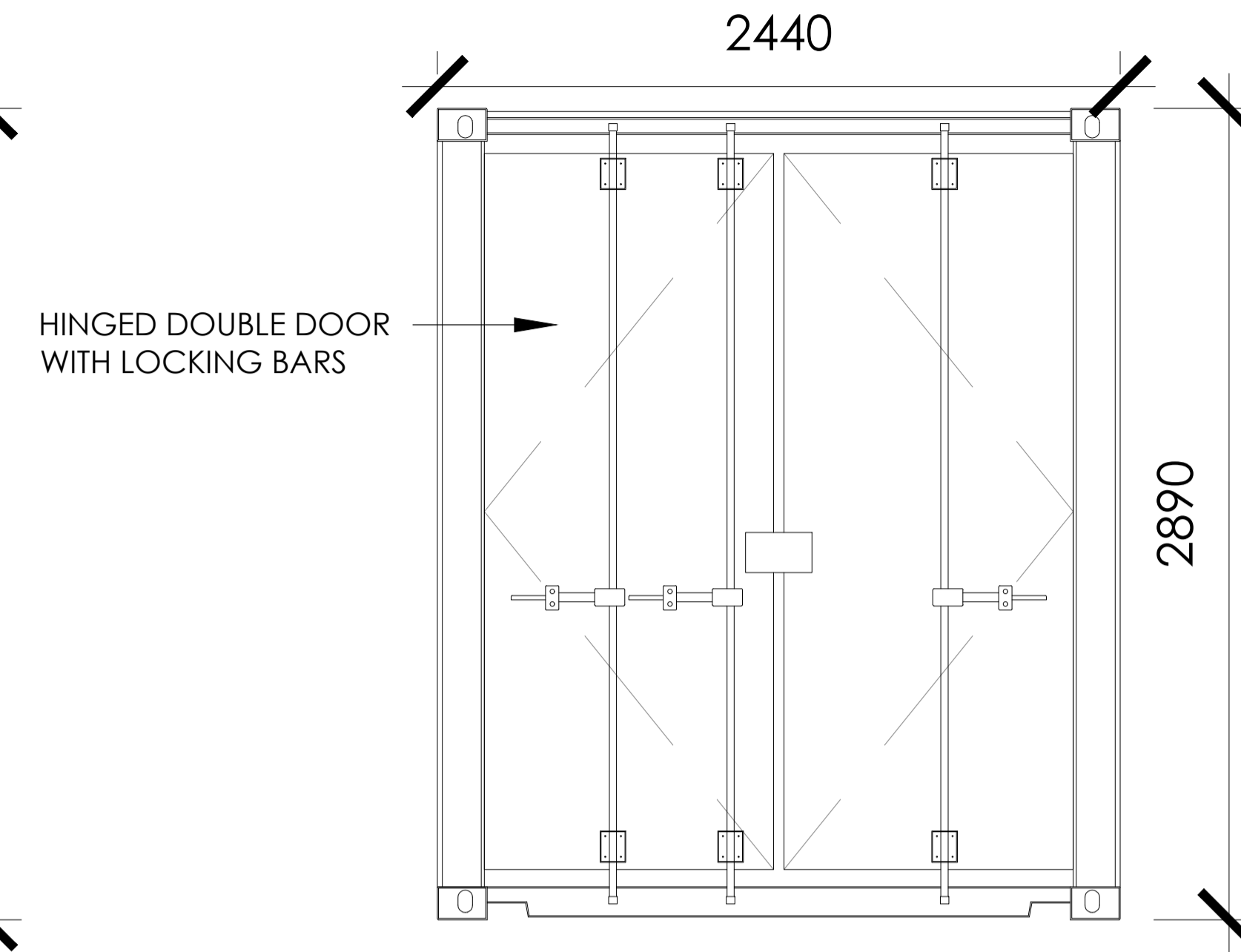


NOTES

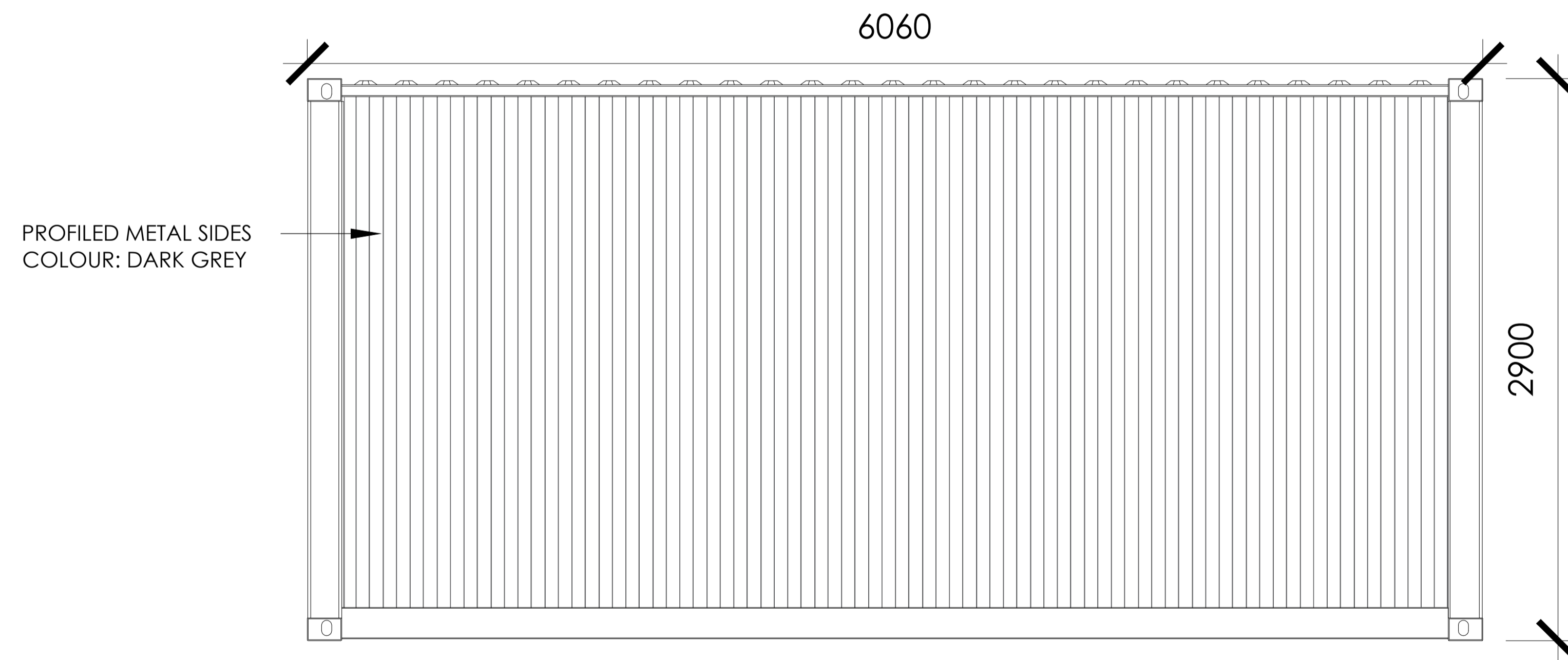
1. IF THIS DRAWING HAS BEEN RECEIVED ELECTRONICALLY IT IS THE RECIPIENT'S RESPONSIBILITY TO PRINT THE DOCUMENT TO THE CORRECT SCALE.
2. ALL DIMENSIONS ARE IN MILLIMETRES UNLESS STATED OTHERWISE. IT IS RECOMMENDED THAT INFORMATION IS NOT SCALED OFF THIS DRAWING.
3. THIS DRAWING SHOULD BE READ IN CONJUNCTION WITH ALL OTHER RELEVANT DRAWINGS AND SPECIFICATIONS.



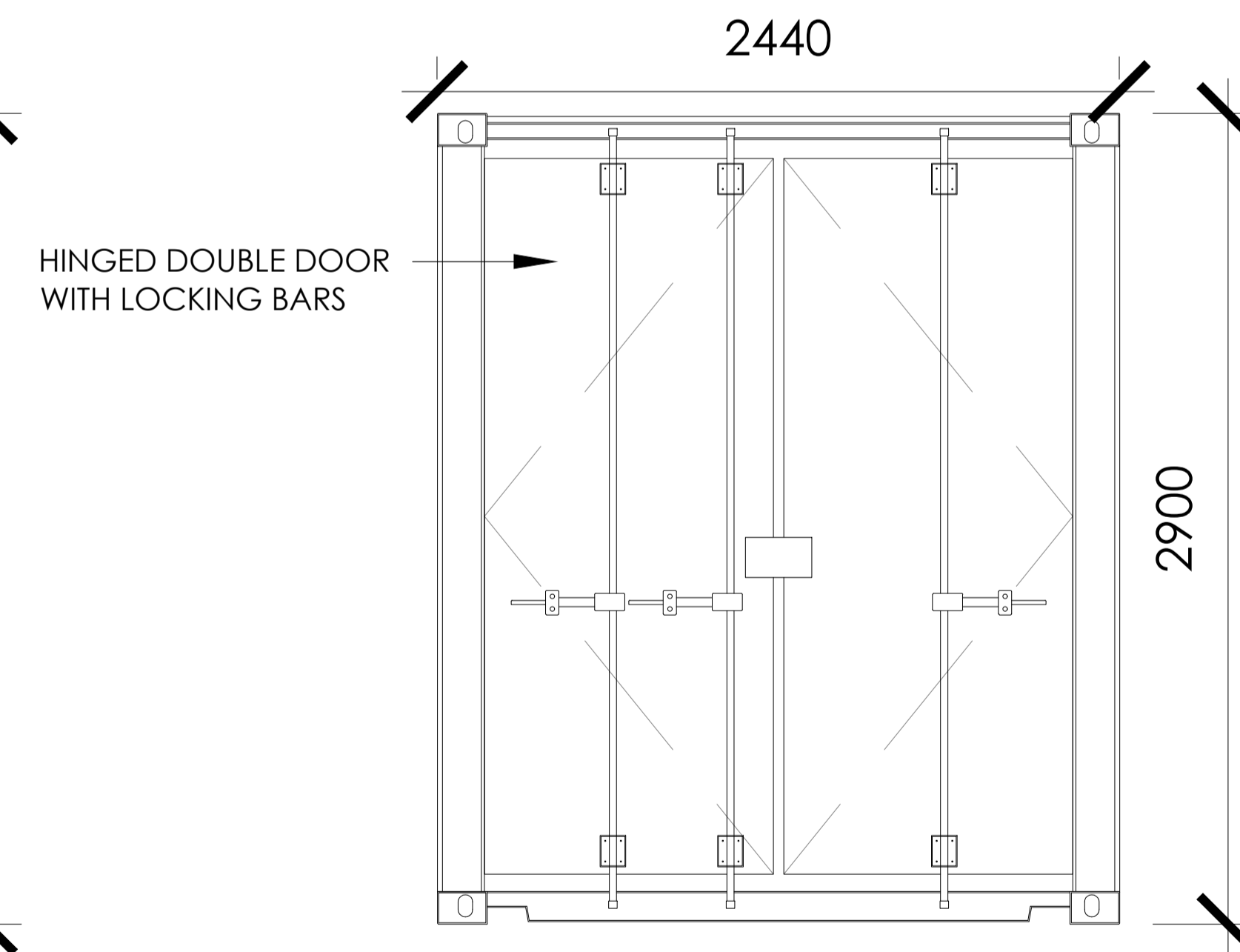
EAST WALL ELEVATION



SOUTH WALL ELEVATION



WEST WALL ELEVATION



NORTH WALL ELEVATION

PLANNING ISSUE

PL1 PLANNING ISSUE 1 CG 01.12.23 MD  
REV. AMENDMENT DRAWN DATE AUTHD

client: WAE TECHNOLOGIES LTD.

project: OXFORD TECHNOLOGY PARK

site: TECHNOLOGY DR, LANGFORD LN  
KIDLINGTON, OXFORDSHIRE

content: BUILDING 5  
CELL Z - 2/3 PROPOSED ELEVATIONS

date: DECEMBER 2023

scale: 1 : 20 @ A1

ALL DIMENSIONS TO BE CHECKED ON SITE

**GARRETT | MCKEE**  
ARCHITECTS  
RILEY HOUSE  
RILEY ROAD  
MARLOW  
BUCKINGHAMSHIRE  
T. 01628 907000  
www.garrettmckee.co.uk

drg.no: 2851 - 12 revision: PL1