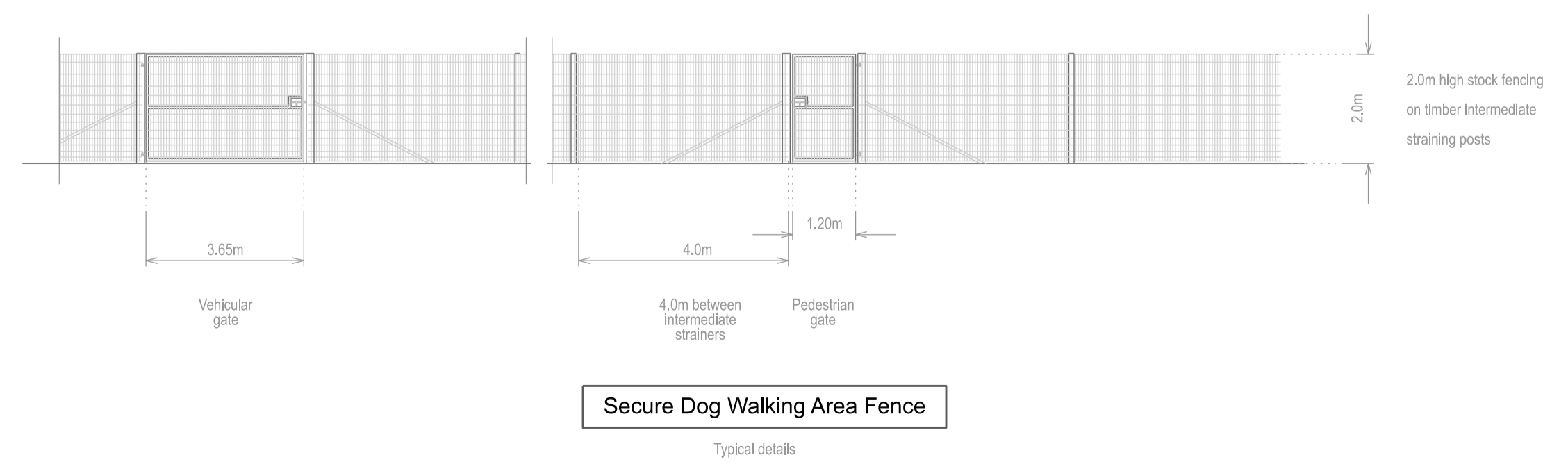
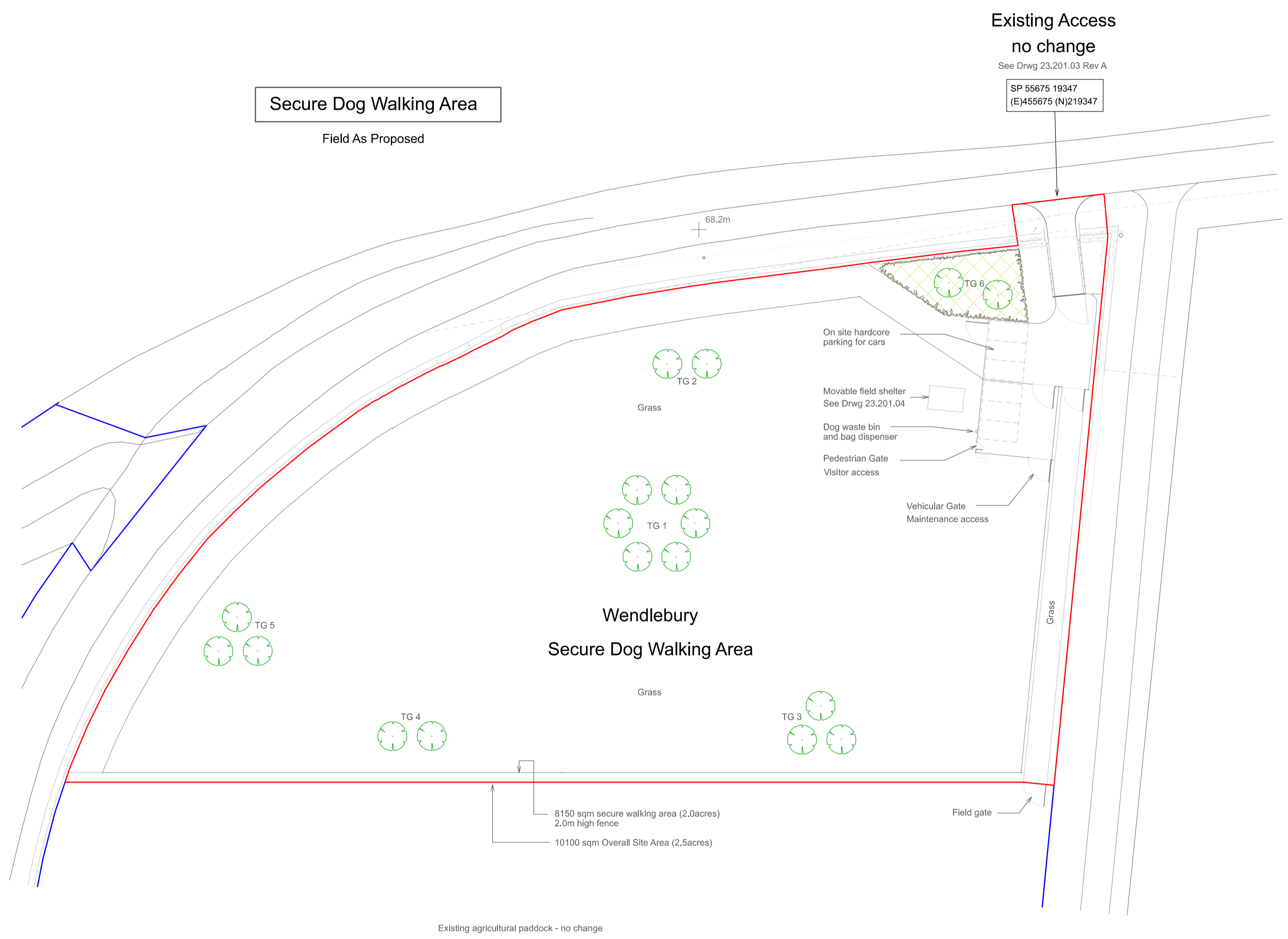
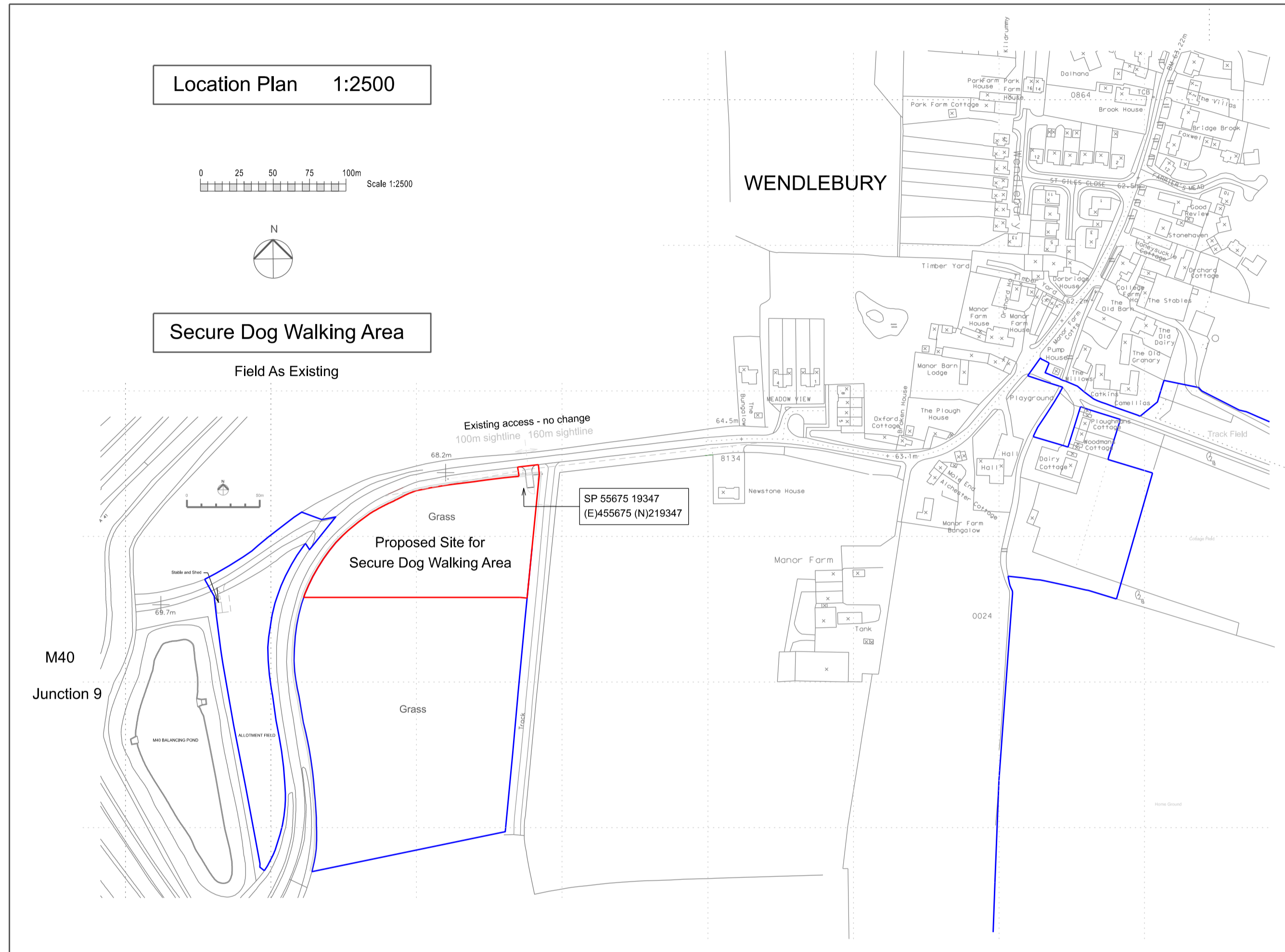
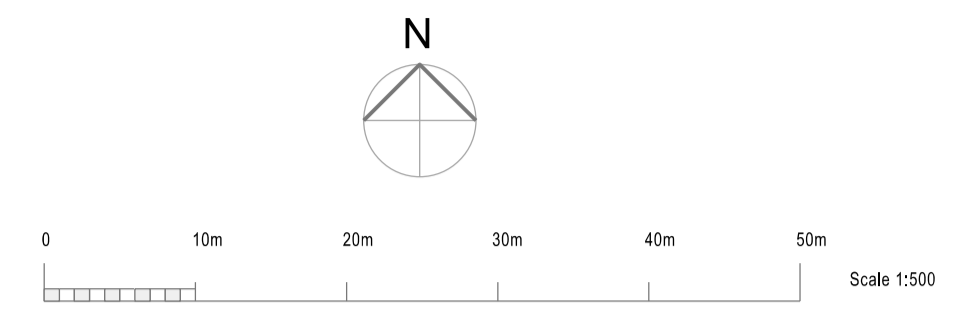
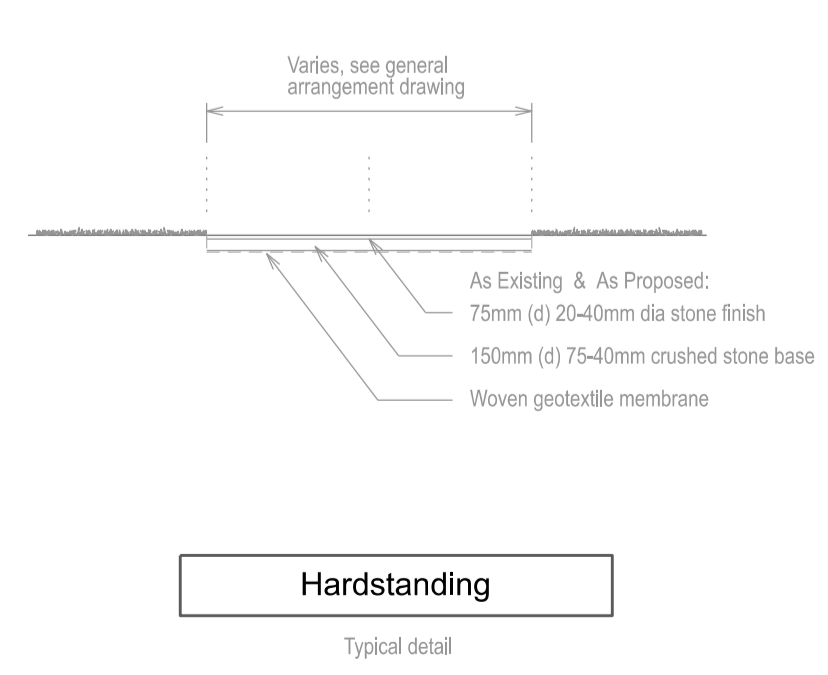


DO NOT SCALE
Contractor to check all dimensions on site and report discrepancies before proceeding.
This drawing is copyright.



Secure Dog Walking Area Fence
Typical details



Hardstanding
Typical detail

Landscaping Key	
Understorey planting	Tree Group
Tree Group TG 1 (6no.)	3no. English Oak (Quercus robur) 3no. Common Hornbeam (Carpinus betula)
Tree Group TG 2 (2no.)	2no. Lime (Tilia cordata)
Tree Group TG 3 (3no.)	2no. English Oak (Quercus robur) 1no. Lime (Tilia cordata)
Tree Group TG 4 (2no.)	1no. Lime (Tilia cordata) 1no. Common Hornbeam (Carpinus betula)
Tree Group TG 5 (3no.)	2no. English Oak (Quercus robur) 1no. Common Hornbeam (Carpinus betula)
Tree Group TG 6 (2no.)	2no. English Oak (Quercus robur)
TG 6 underplanting: (170sqm)	45-60cm bare rooted transplants 45no. Hawthorn (Crataegus monogyna) 45no. Blackthorn (Prunus spinosa) 10no. Field Maple (Acer campestre)

Rev A 22.11.2023 Planting added for Planning

PLANNED APPROACH
ARCHITECTS
Telephone 07929 296003 Email: tim@plannedapproach.co.uk

Client: Mrs Millcent Lee
Site: College Farm, Wendlebury, Bicester OX25 2PR
Project: Wendlebury Secure Dog Walking Area

LOCATION and BLOCK PLANS As Existing & As Proposed
1:2500, 1:500, 1:50 TPH August 2023
Original at A1 Drwg no. 23 / 201.02 Rev A