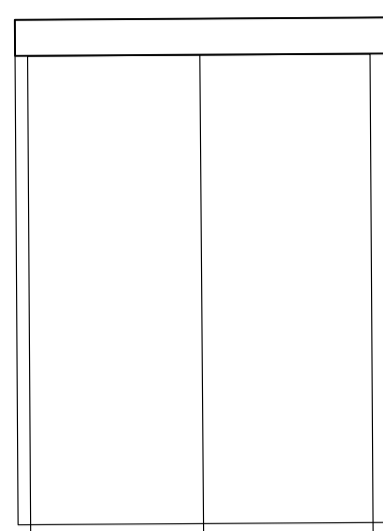
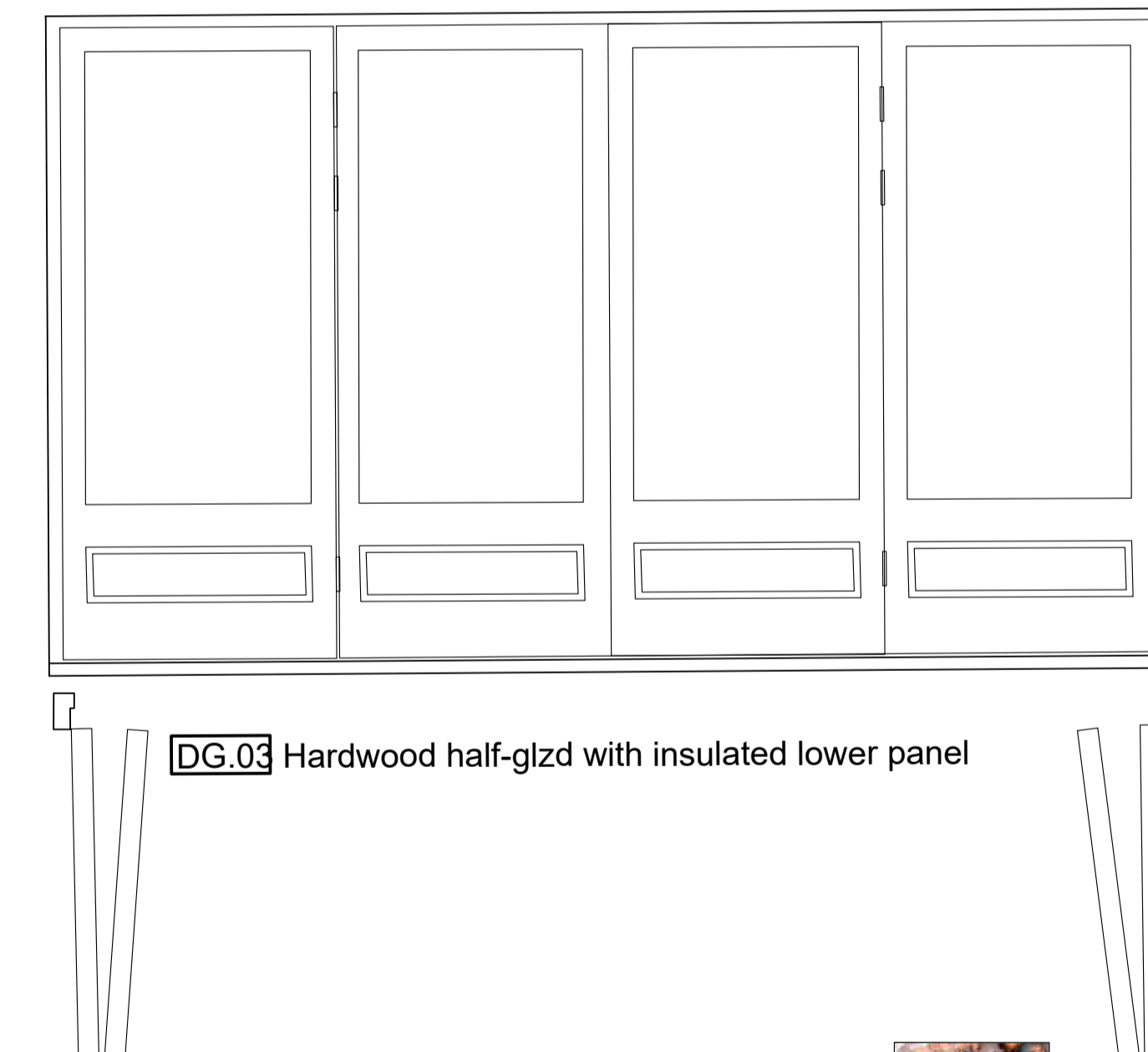
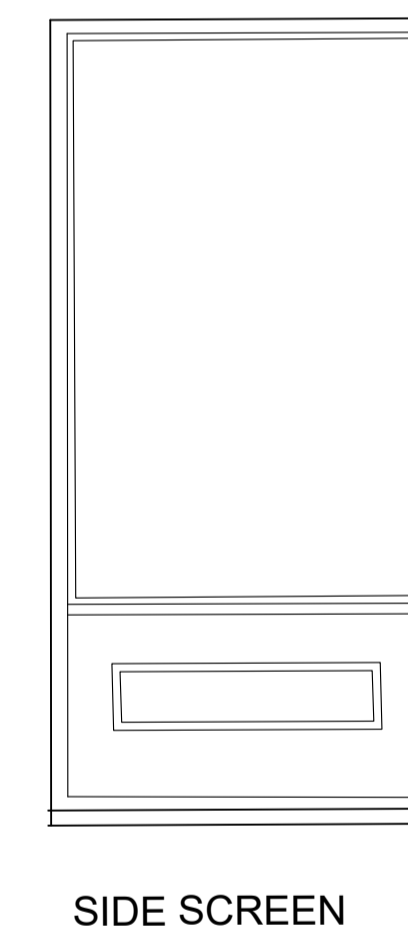
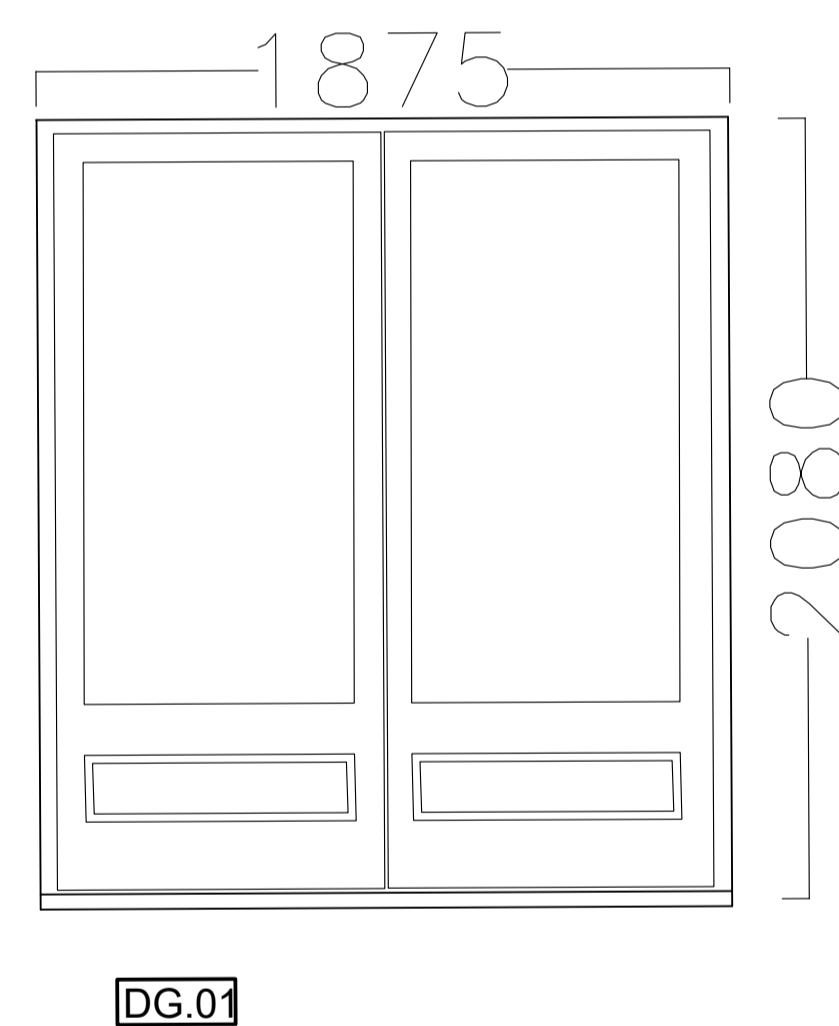
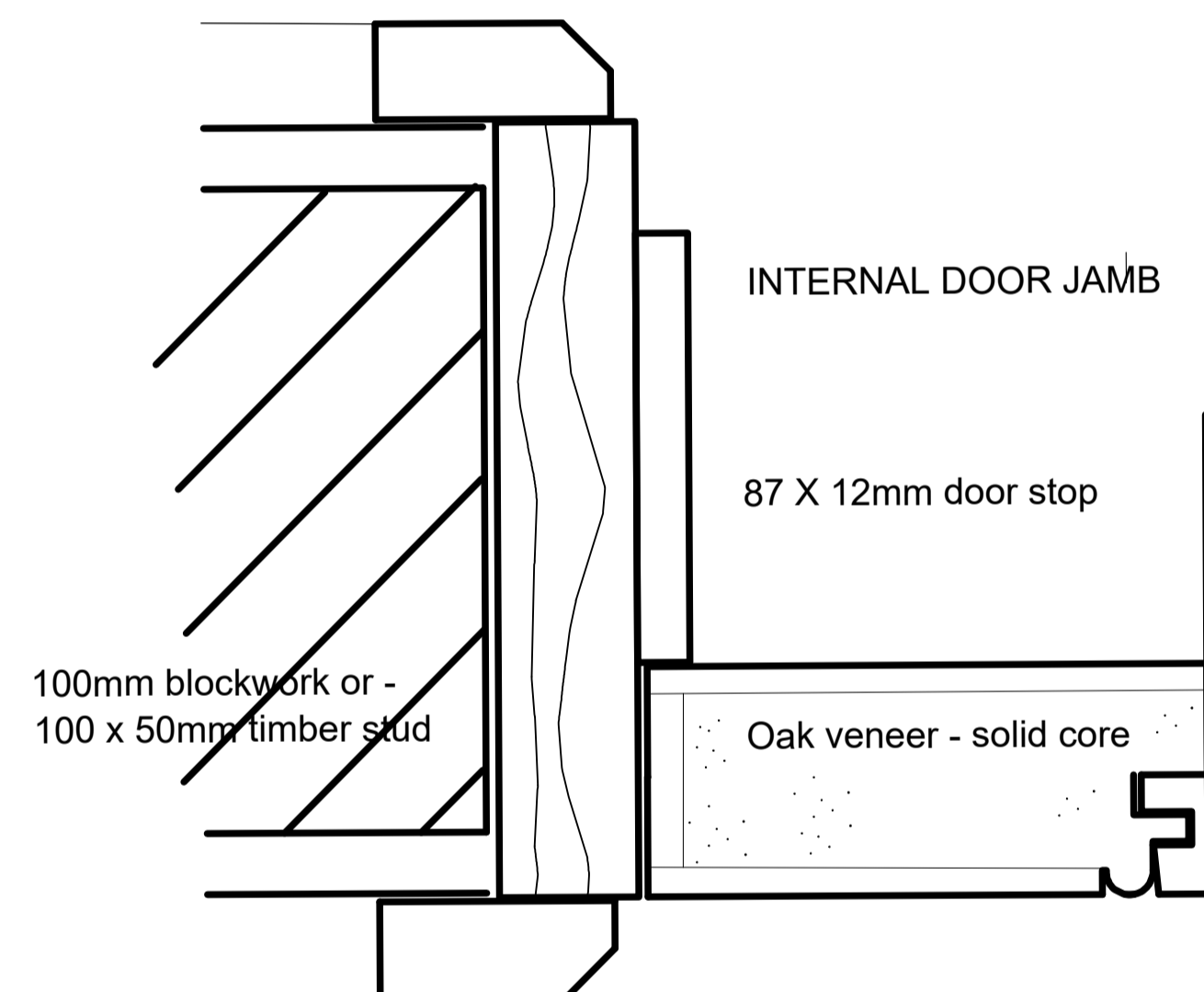
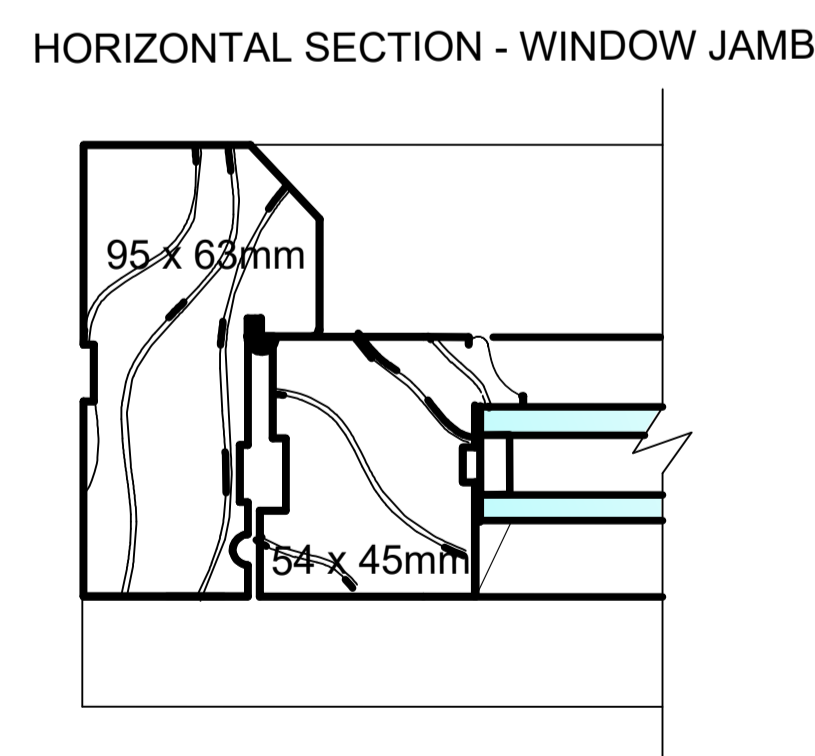
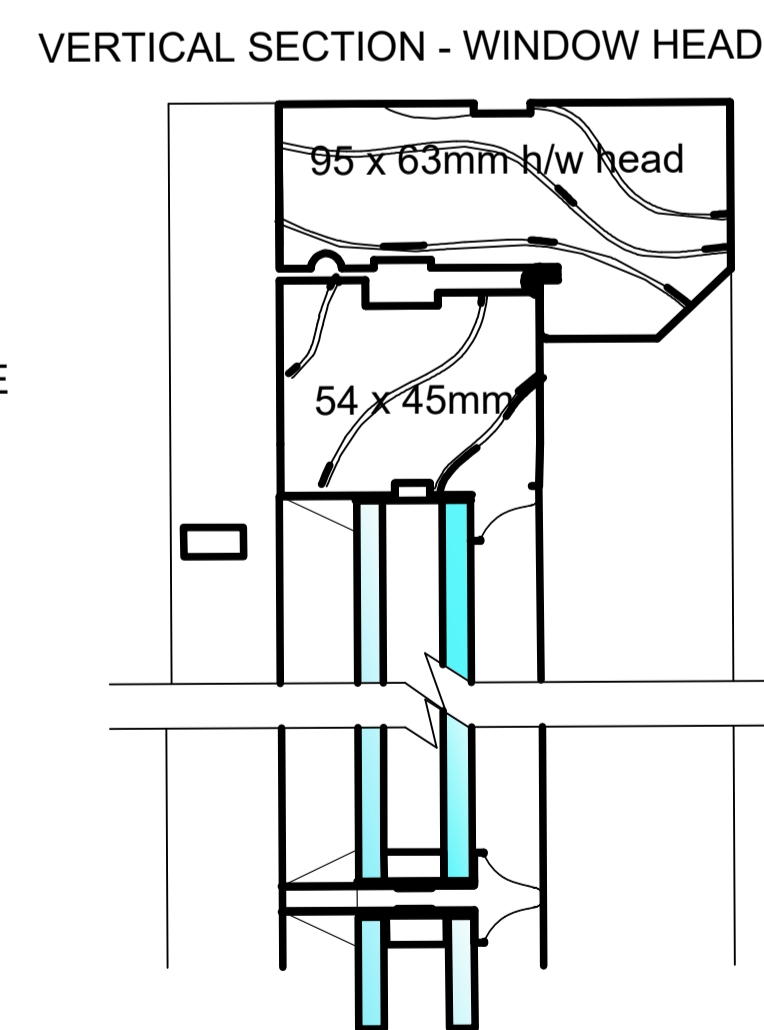
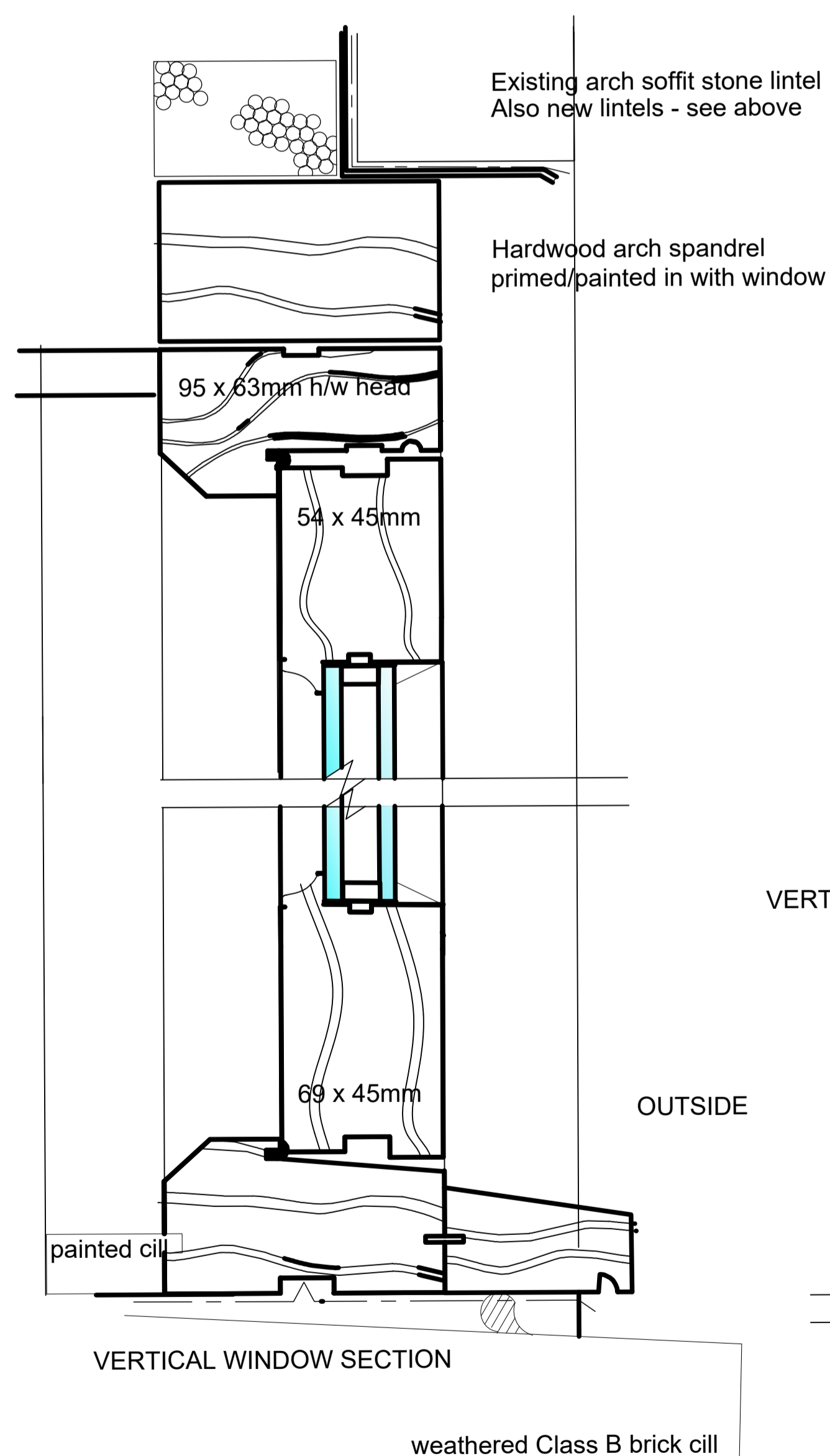
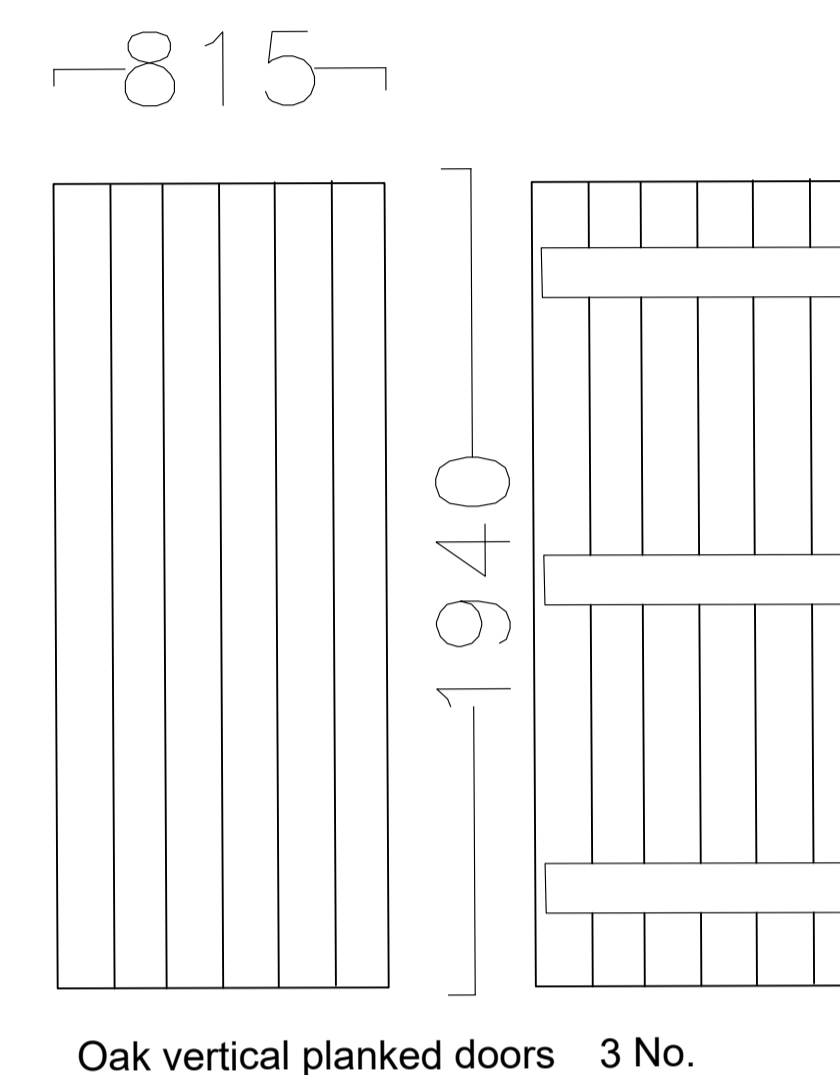
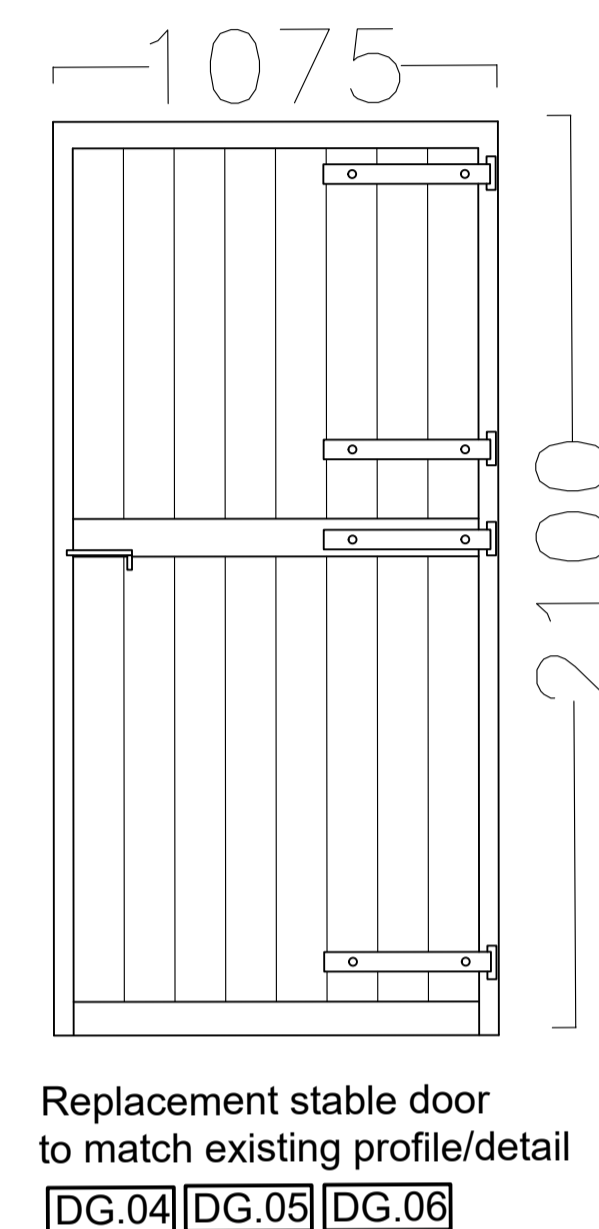
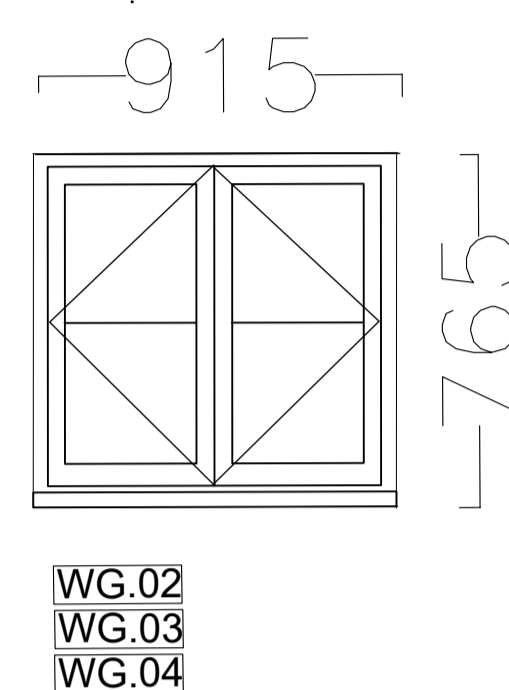
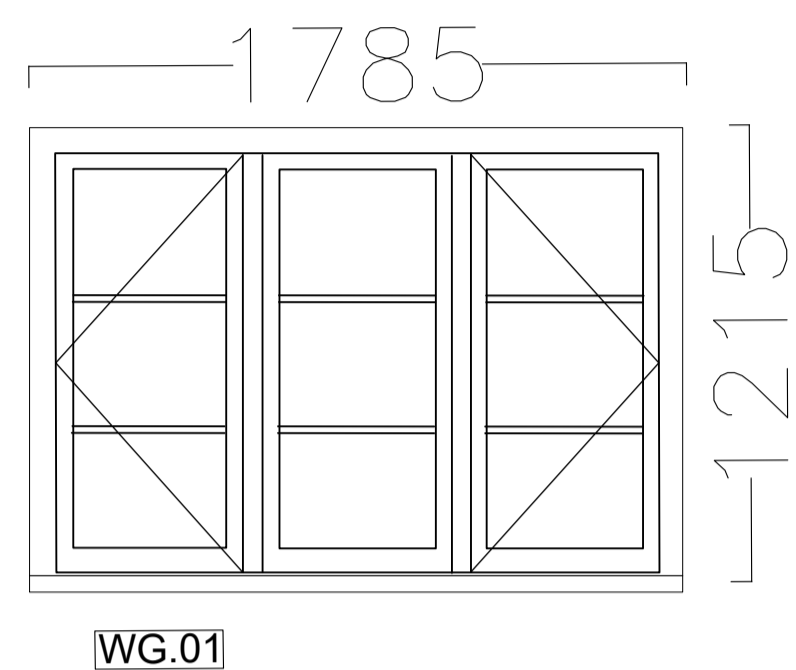


REVISIONS	
A	

replacement inclined metal conservation rooflight

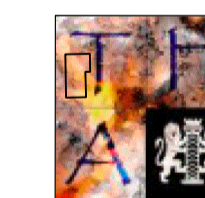


DOORS : DG 1 European Redwood for painting (h/w cill)  
 DOORS : DG 2 European Redwood for painting \*\*\*  
 DOORS : DG 3 European Redwood for painting \*\*\*  
 WINDOWS : WG 1 - 3 selected hardwood for painting (h/w cill)  
 Flush casements all equal - with draughtstripped rebated frames  
 Fittings : slotted catches, traditional black metal monkey tail fasteners



INDICATIVE WINDOW SECTIONS -

NOTES : ALL OPENINGS TO BE MEASURED ON SITE PRIOR TO MANUFACTURE



TONY HERRING ASSOCIATES LTD  
 CHARTERED ARCHITECTS

JOB  
 CEDAR LODGE NORTH SIDE  
 STEEPLE ASTON OX25 4ET  
 CLIENT  
 ALEX & FRANCIS PASTEUR

TITLE  
 PROPOSED ALTERATIONS TO  
 OUTBUILDINGS-JOINERY SCHEDULE

SCALE  
 Not to scale  
 See Figured Dims.  
 DATE  
 Sept 2023  
 DRWG. REF  
 668.09