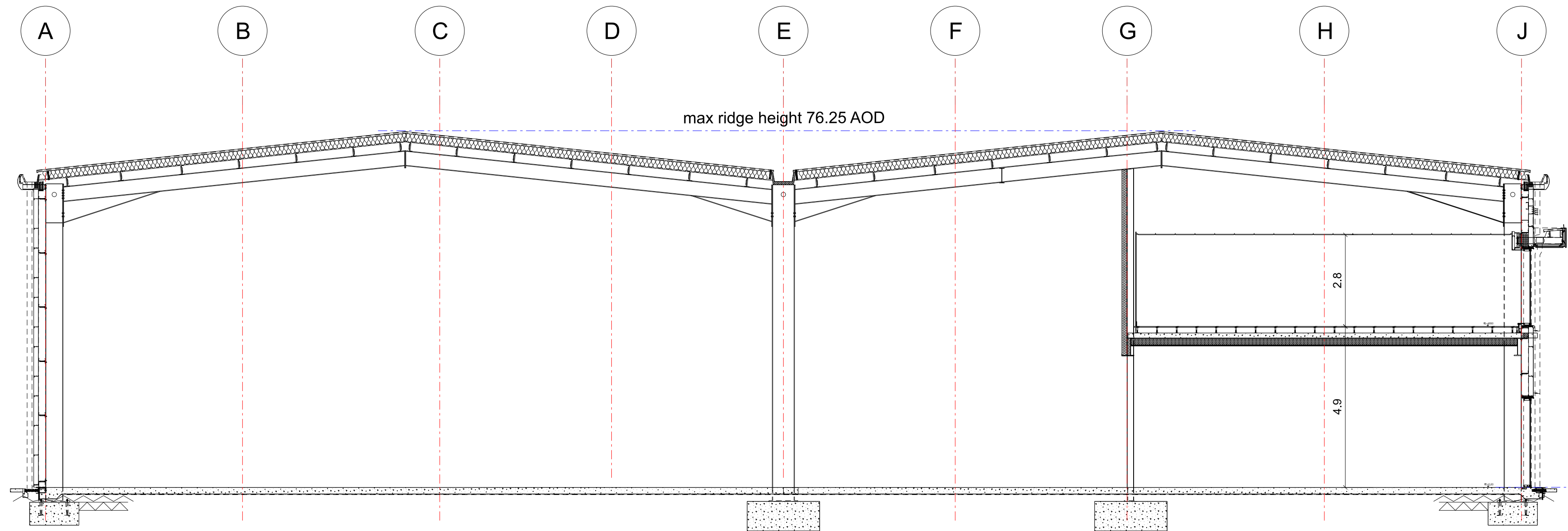


NOTES

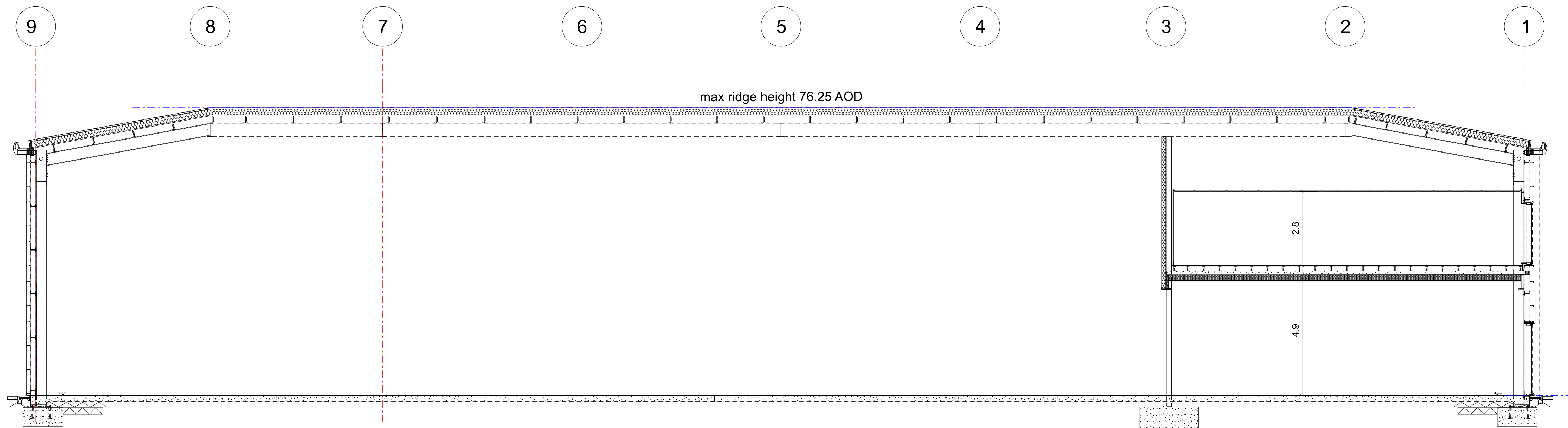
Reproduced from the Ordnance Survey map with the permission of the Controller of Her Majesty's Stationery Office, © Crown Copyright.

C A Cornish & Associates Ltd Licence no LIG0908.

Subject to Statutory Approvals.



1 Unit 8
017 Short Section



2 Unit 8
017 Long Section

Rev	Description	Chk	Date
A	Units combined in to one, Drawings title updated accordingly.	GU	13/09/2023

27 Greville Street
London EC1N 8SU

tel +44(0)20 7400 2120

enquiries@cornisharchitects.com
www.cornisharchitects.com

RIBA
Chartered Practice

cornisharchitects

Project Title:
CATALYST BICESTER RM4

Drawing Title:
UNIT 8 SECTIONS

Drawing Status:
TOWN PLANNING

Scale:
0 1 metres 8

Drawn By: Scale: Date: Chk'd By:
G U 1:100 @ A1 13/09/2023 S M

ALBION LAND

Drawing No. 22011 - TP - 017 Rev. A

Copyright of Cornish Architects ©