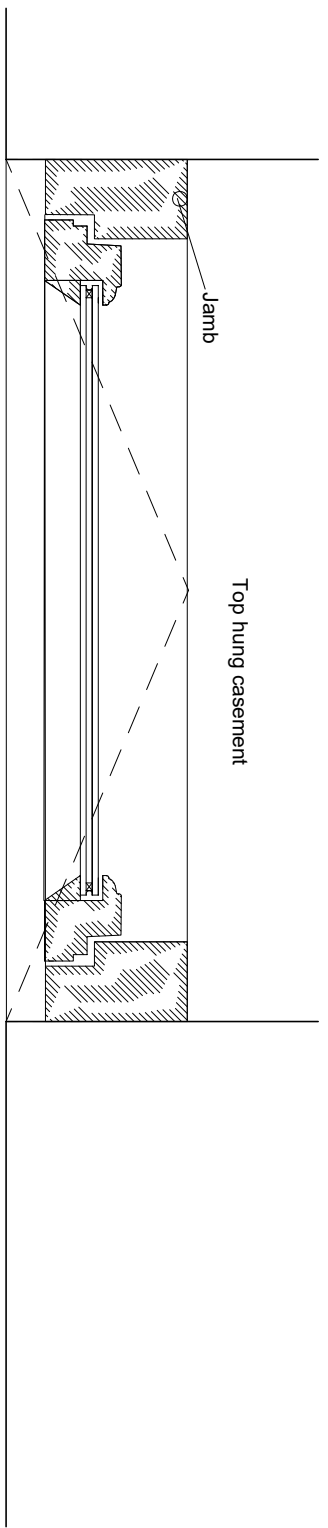


Plan section:  
A50/A55



Plan section:  
A56

# Rosemary Cottage



Subject: Proposed window Plan section A52/53/57	Measure: 1:5	Date: 20.10.2023	Rev. date: -	Drawingnr.: 1.031/N 03
---	-----------------	---------------------	-----------------	---------------------------