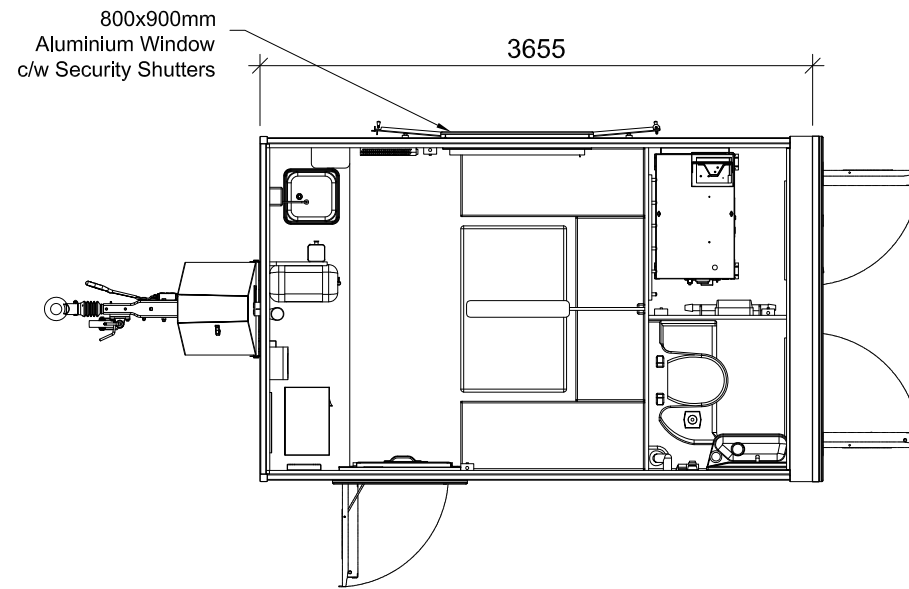


This drawing is the copyright of IPV Flexgen Limited and must not be reproduced in whole or in part or used in any manner without their written permission.
 Scaled dimensions must not be taken from this drawing. All dimensions are to be confirmed on site prior to commencement of work.

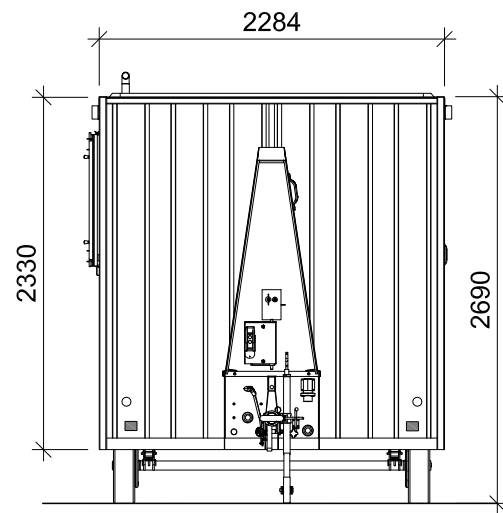
Revisions:

Revision	Date	Revision Notes	Drawn	Inspected
01	07.07.23	First Issue	GF	RH

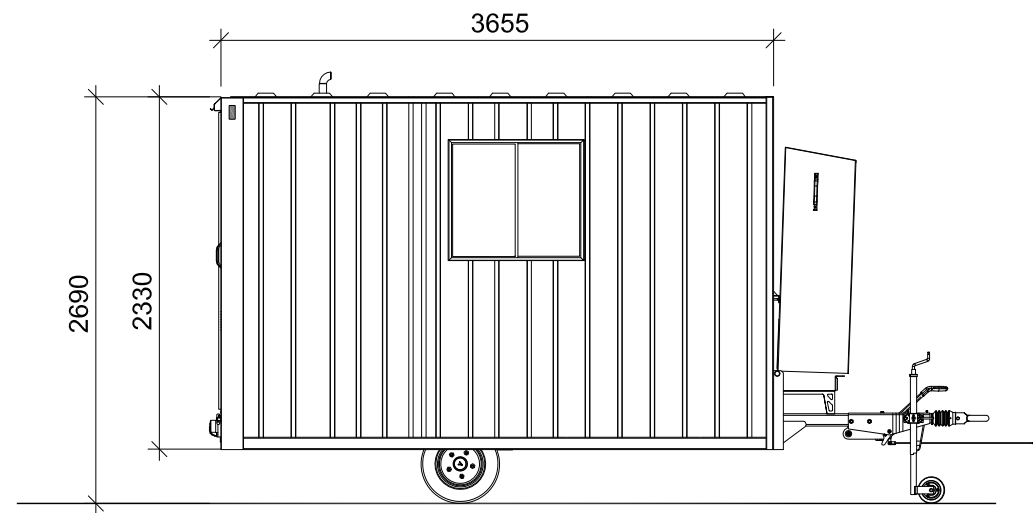
LEGEND:



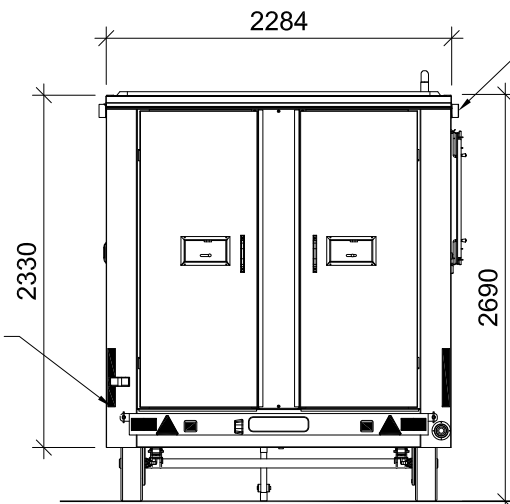
PLAN VIEW



FRONT ELEVATION

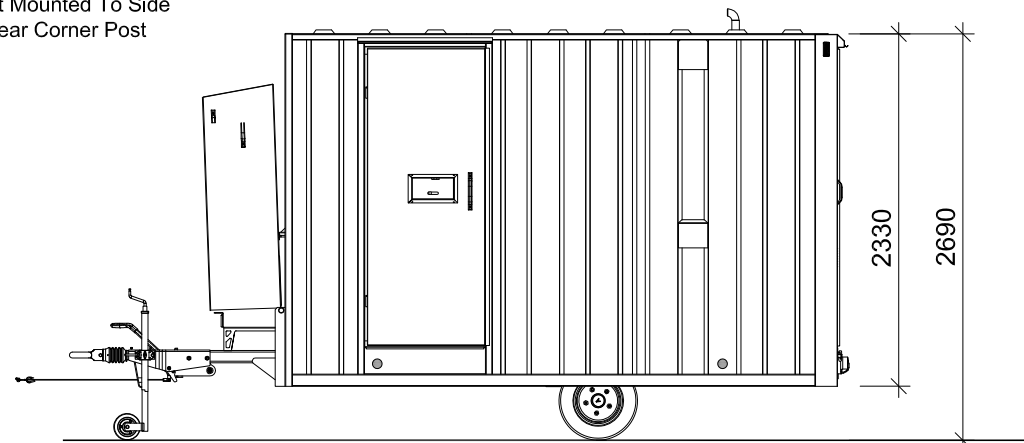


SIDE ELEVATION (RIGHT)



REAR ELEVATION

Front/Rear Clearance Light Mounted To Side of Rear Corner Post



SIDE ELEVATION (LEFT)



SCALE 1:50

Project:
Duns Tew Solar Park
 Duns Tew, Blicester
 Oxfordshire, OX25 6JJ



IPV Flexgen Limited
 Nelson House, 2 Hamilton Terrace,
 Leamington Spa
 CV32 4LY
 Tel: +44(0)1926 911282

Status:
PLANNING

Drawing Title:
**STANDARD DRAWING
 Gatehouse**

Drawn: GF	Checked: RH	First Issued: 07.07.2023
Project Code: PV1014- SD-01		Drawing Number:
Sheet Size: A3	Scale: 1:50	Revision: 01