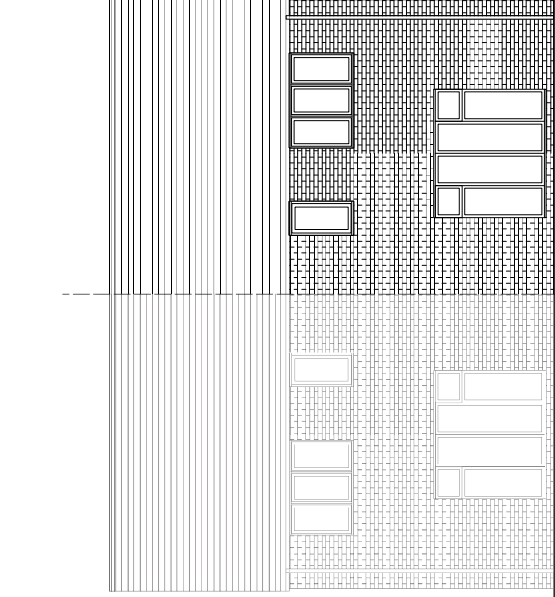
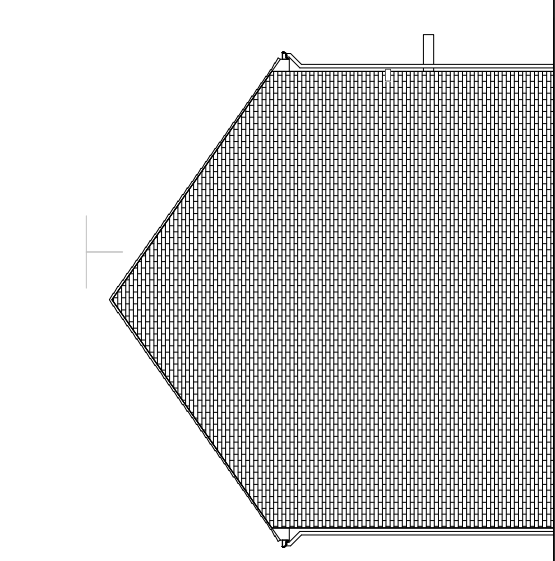




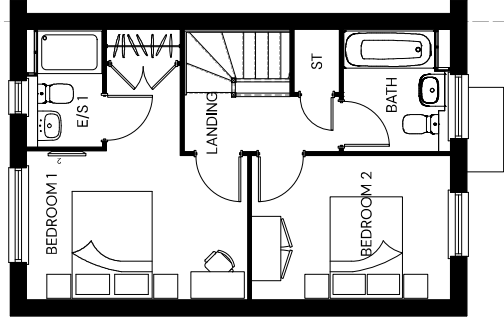
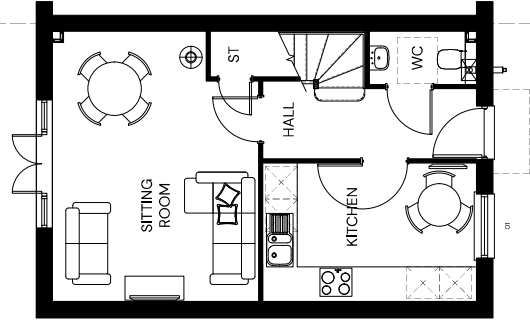
FRONT ELEVATION



REAR ELEVATION

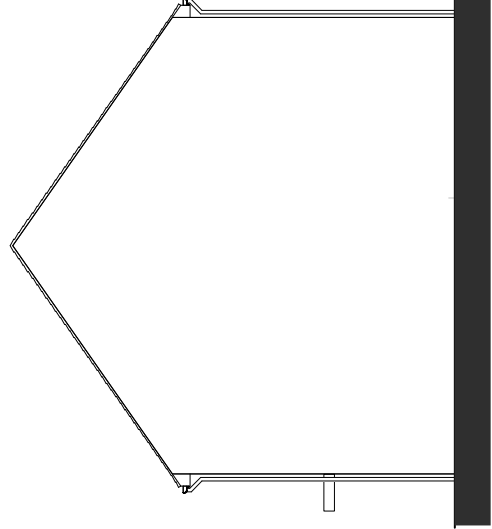


SIDE ELEVATION



GROUND FLOOR PLAN

FIRST FLOOR PLAN



SIDE ELEVATION

Bathrooms / WCs to have Obscure Glazing
 0 1 2 m



HIMLEY VILLAGE BICESTER – PHASE 2A – BAYBERRY CA3

| PEGASUSGROUP.CO.UK | TEAM/DRAWN BY: DJWR/CB | APPROVED BY: MCC/EH | DATE: 29/05/2024 | SCALE: 1:100@A3 | DRWG: P22-3092_DE_02_C_02 | CLIENT: CALA Cotswolds |

PLOTS:

- AS: 14, 16, 17, 18, 22, 33, 48, 99
- OPP: 15, 21, 32, 46, 47, 98