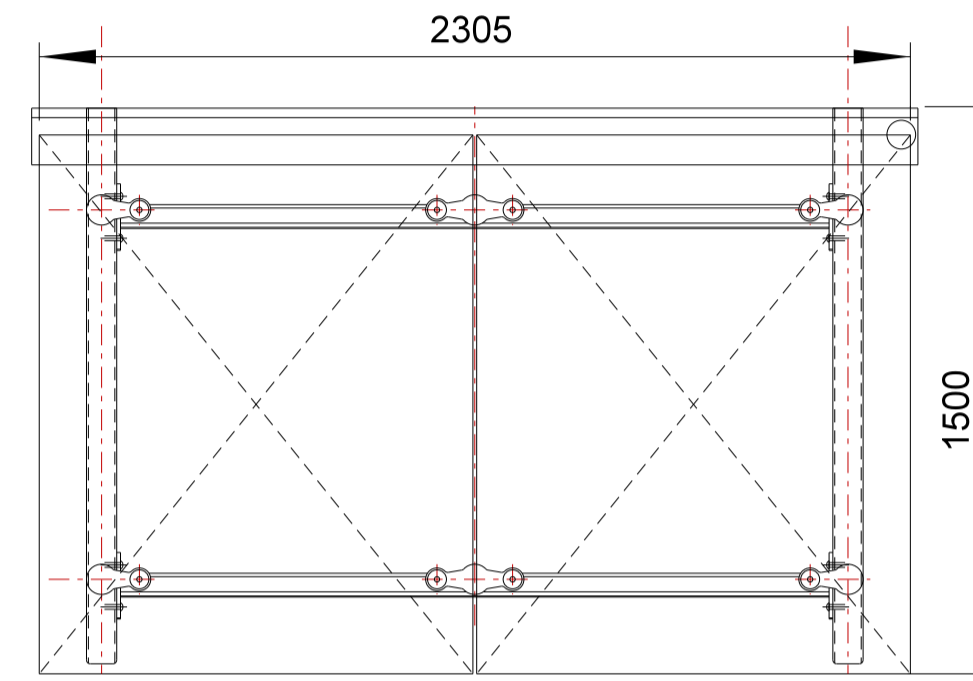
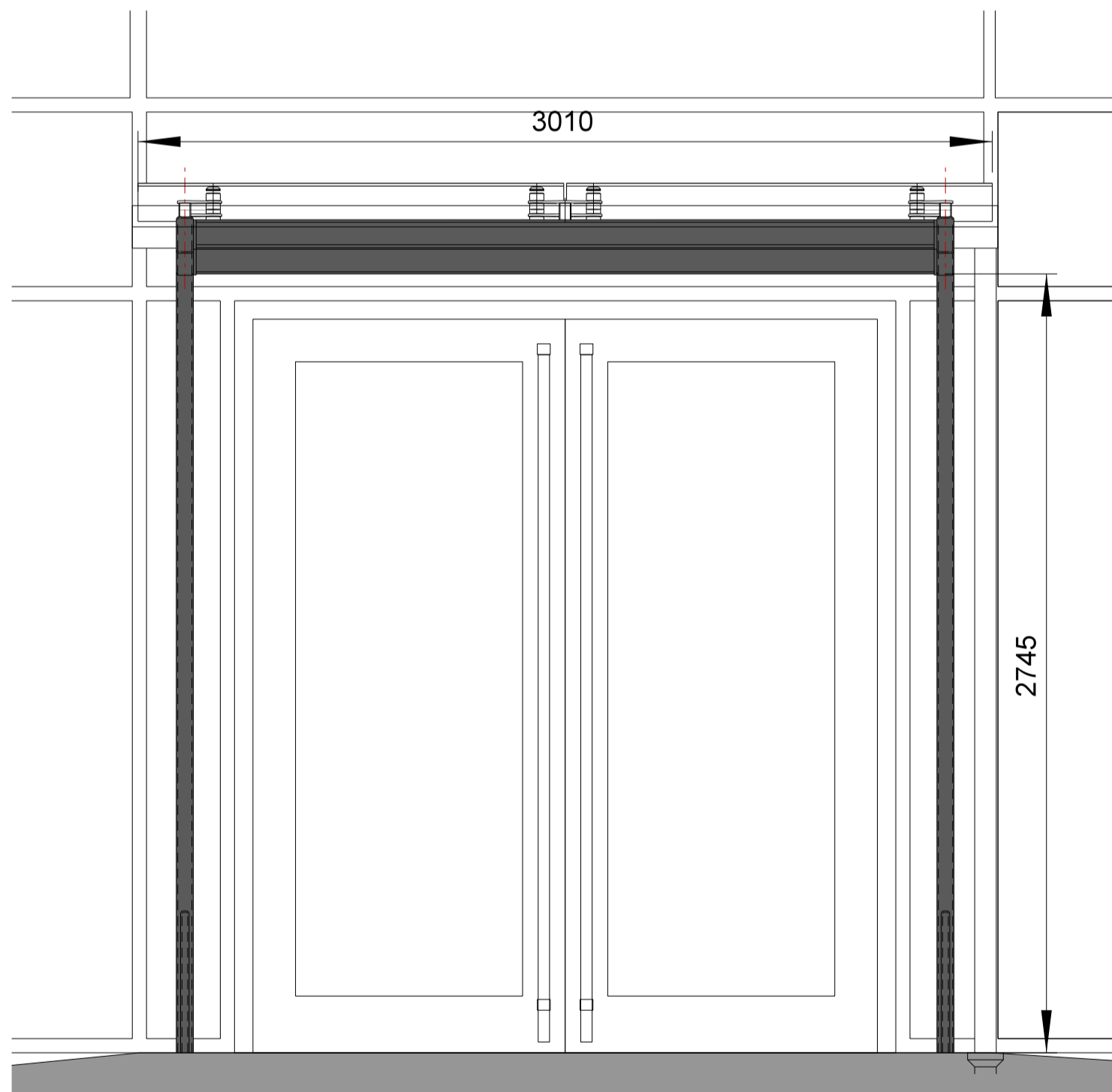


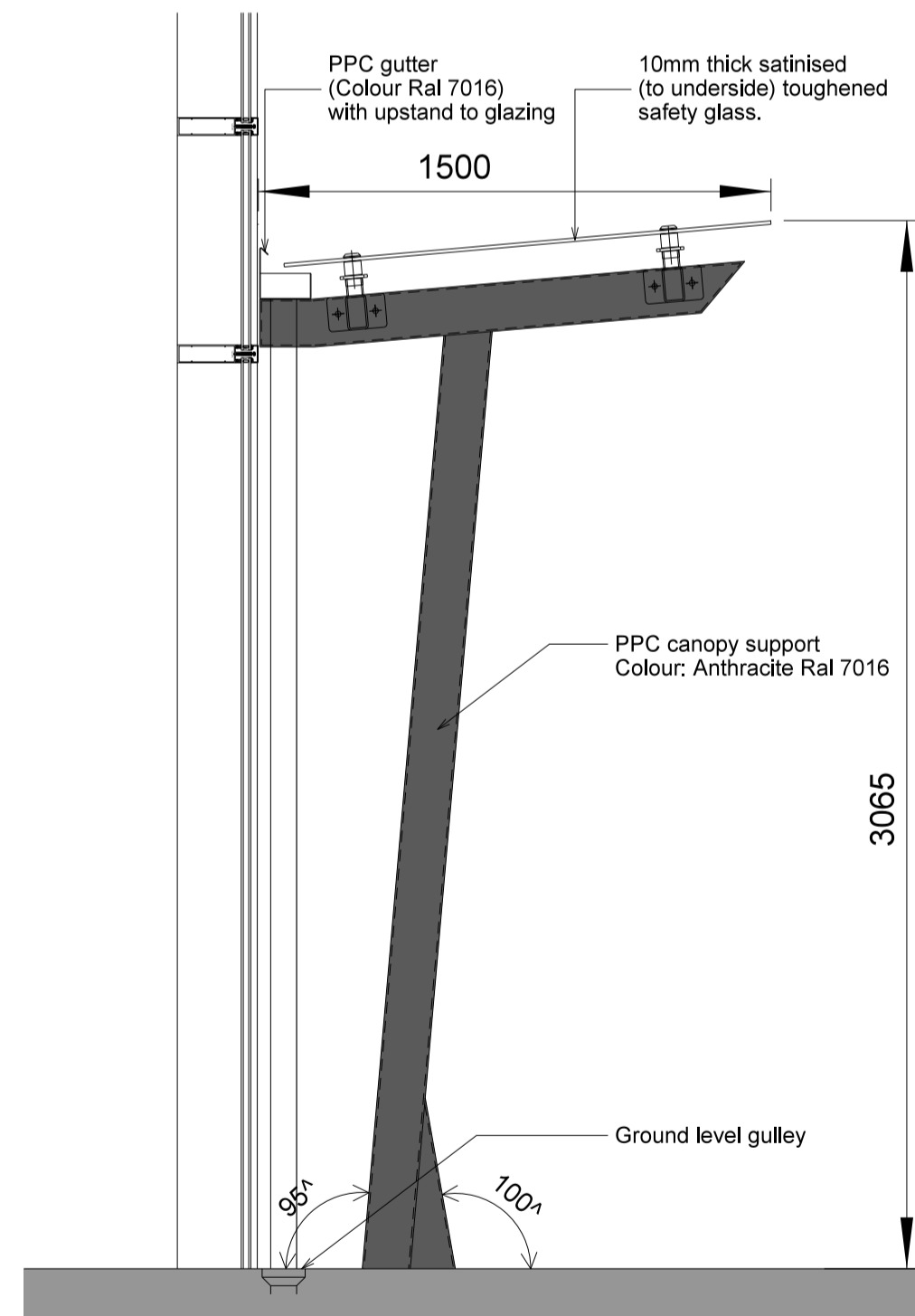
03 ENTRANCE CANOPY
020 plan



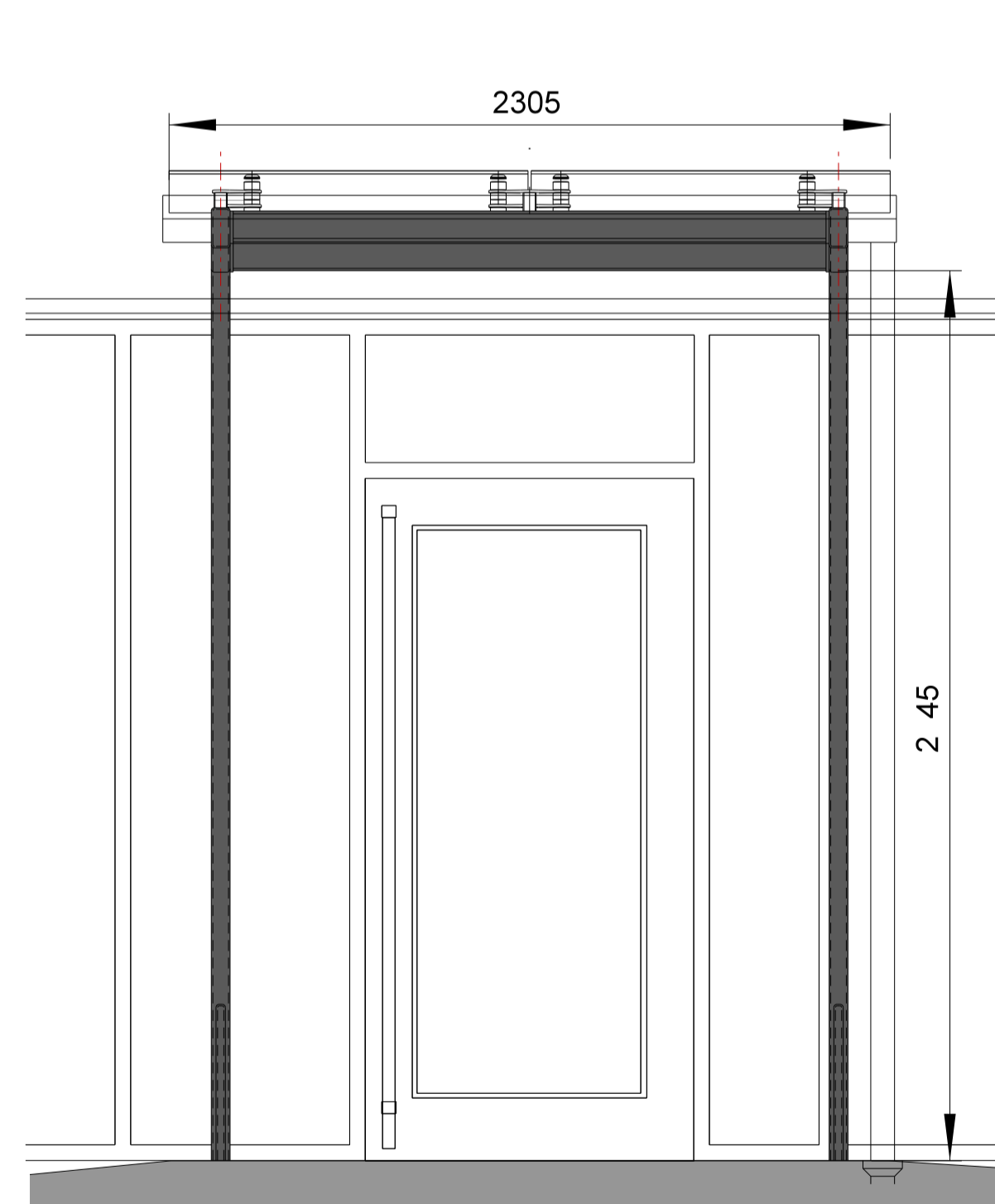
06 SIDE DOOR CANOPY
020 plan



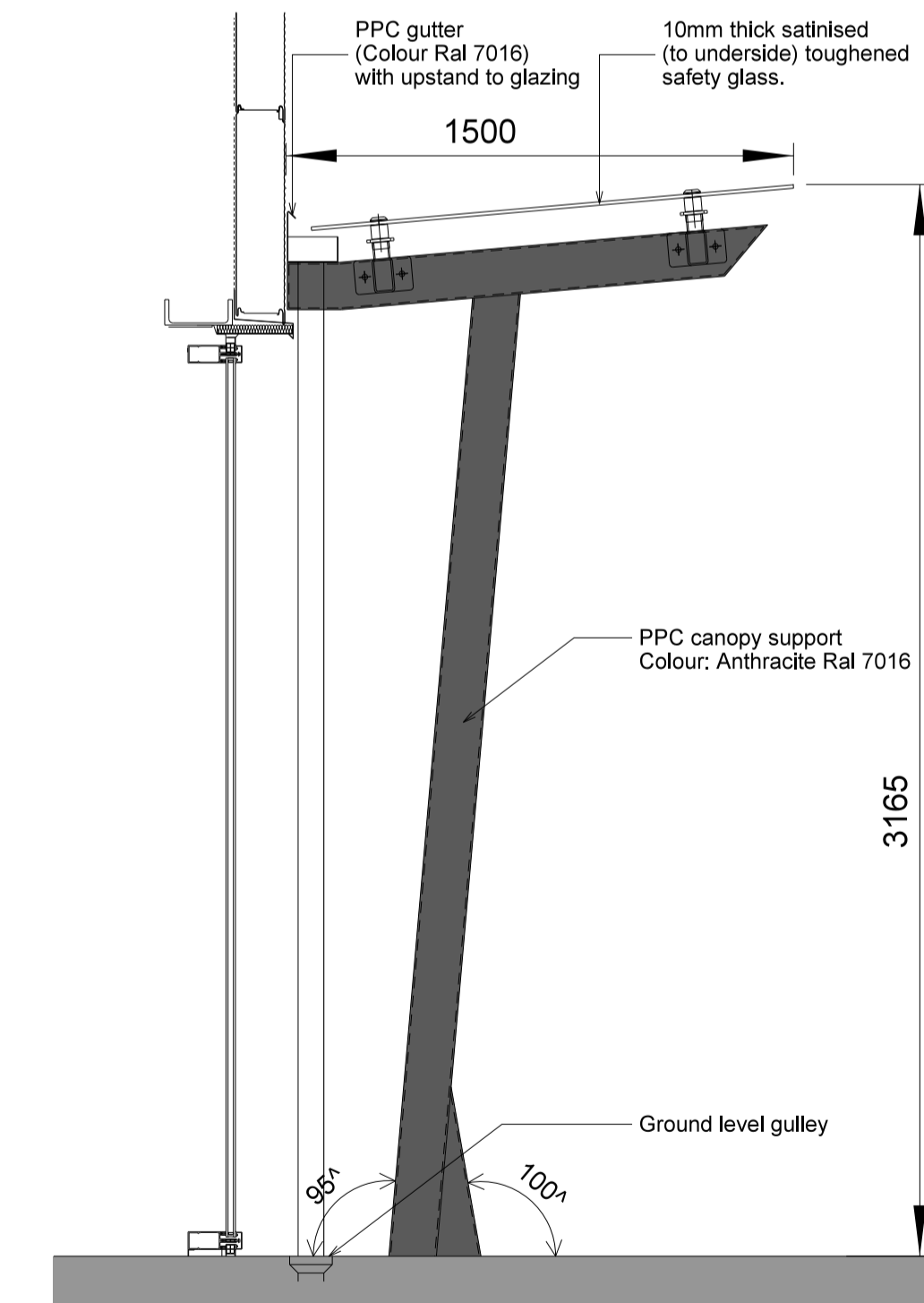
01 ENTRANCE CANOPY
020 front elevation



02 ENTRANCE CANOPY
020 section / side elevation



04 SIDE DOOR CANOPY
020 front elevation



05 SIDE DOOR CANOPY
020 section / side elevation

Rev	Description	Chk	Date
A	Side door canopy added to drawing	SM	12/04/2023

27 Greville Street
London EC1N 8SU

tel +44(0)20 7400 2120

enquiries@cornisharchitects.com
www.cornisharchitects.com

RIBA Chartered Practice

cornisharchitects

Project Title: CATALYST BICESTER RM4

Drawing Title: ENTRANCE CANOPY DETAILS

Drawing Status: TOWN PLANNING

Scale: 0 200 millimetres 1600

Drawn By: S M Scale: 1:20 @ A1 Date: 16/05/2022 Chk'd By: C S

ALBION LAND

Drawing No: 21023 - TP - 020 Rev: A