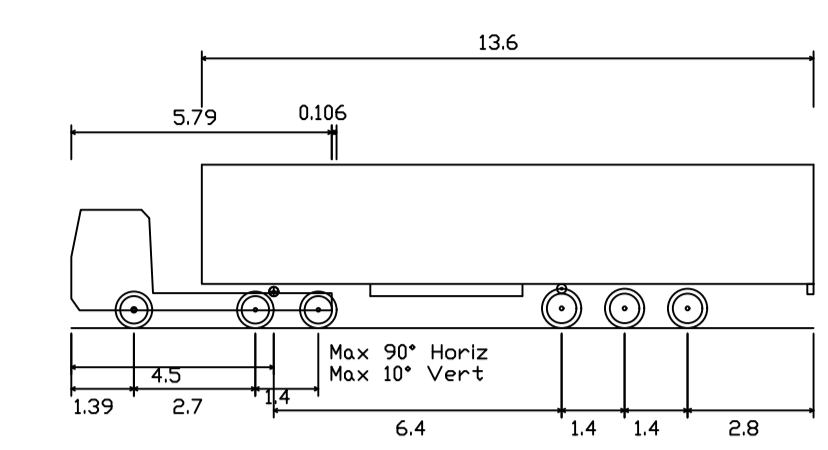
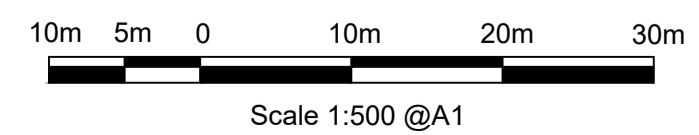
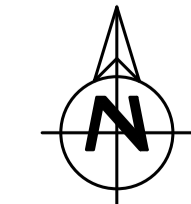


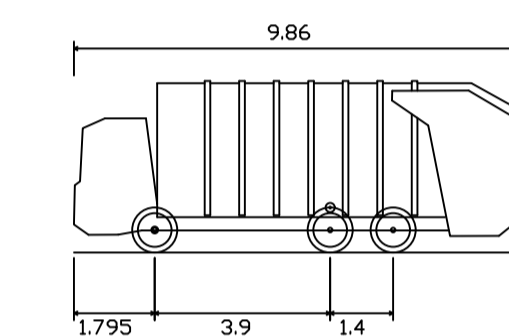


Vehicle Tracking 1:500



Max Legal Articulated Vehicle (16.5m)

- Overall Length 16.500m
- Overall Width 2.500m
- Overall Body Height 3.632m
- Min Body Ground Clearance 0.396m
- Max Track Width 2.500m
- Lock to Lock Time 6.00s
- Kerb to Kerb Turning Radius 6.870m



Large Refuse Vehicle (3 axle)

- Overall Length 9.860m
- Overall Width 2.450m
- Overall Body Height 3.814m
- Min Body Ground Clearance 0.366m
- Track Width 2.450m
- Lock to Lock Time 4.00s
- Kerb to Kerb Turning Radius 9.500m

## SLR CONTRIBUTION AGREEMENT

E	03.11.23	Updated to latest Street Lighting Layout
D	25.08.23	Revised to Technical Audit 1 comments
C	30.05.23	Revised to RSA 2 comments
B	15.05.23	Updated to latest lighting layout
A	26.04.23	Latest S278 crossing layout added
Rev	Date	Revision Description

### Revision Schedule

Project Title	
Axis J9 - Bicester	
Client	
 <b>ALBION LAND</b>	
Drawing Title	
Access Road (Phase 3) Vehicle Tracking	
<b>BAILEY JOHNSON HAYES</b> Consulting Engineers	
ST.ALBANS: Suite 4, Phoenix House, 63 Campfield Rd, ST.ALBANS, Herts AL1 5FL	
Scale	1:500 @A1
Date	06.04.23
Drawn	JNG
Drawing Number	S1209-AR-08 E