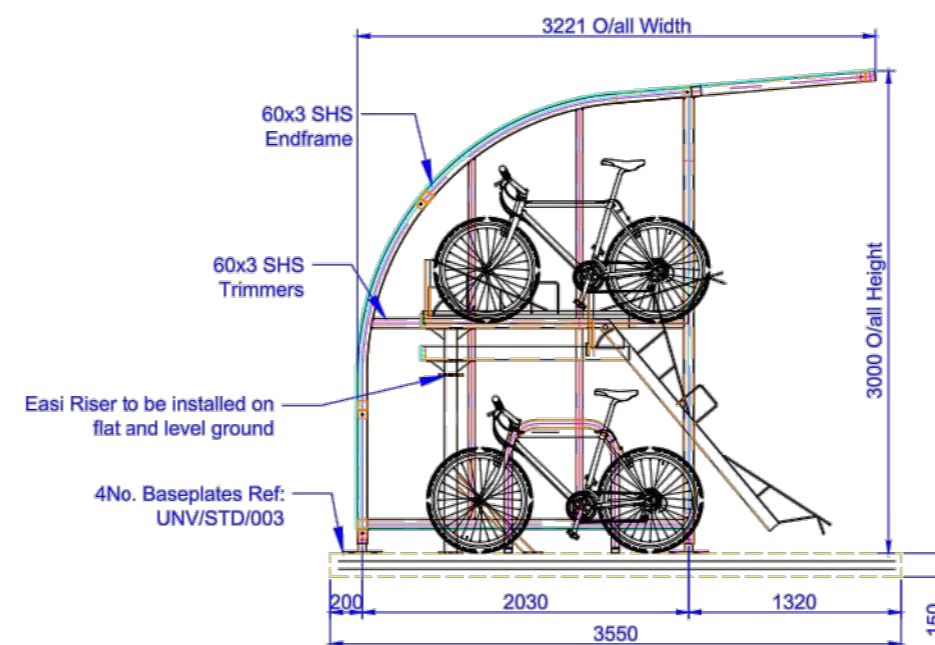


Notes

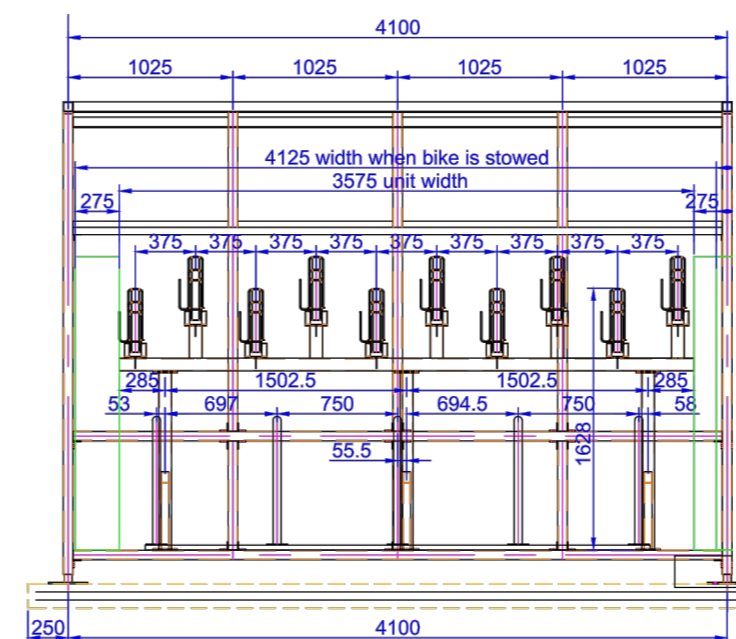
1. IF THIS DRAWING HAS BEEN RECEIVED ELECTRONICALLY IT IS THE RECIPIENTS RESPONSIBILITY TO PRINT THE DOCUMENT TO CORRECT SCALE.
2. ALL DIMENSIONS ARE IN MILLIMETRES UNLESS STATED OTHERWISE. IT IS RECOMMENDED THAT INFORMATION IS NOT SCALED OFF THIS DRAWING.
3. THIS DRAWING SHOULD BE READ IN CONJUNCTION WITH ALL OTHER RELEVANT DRAWINGS AND SPECIFICATIONS.



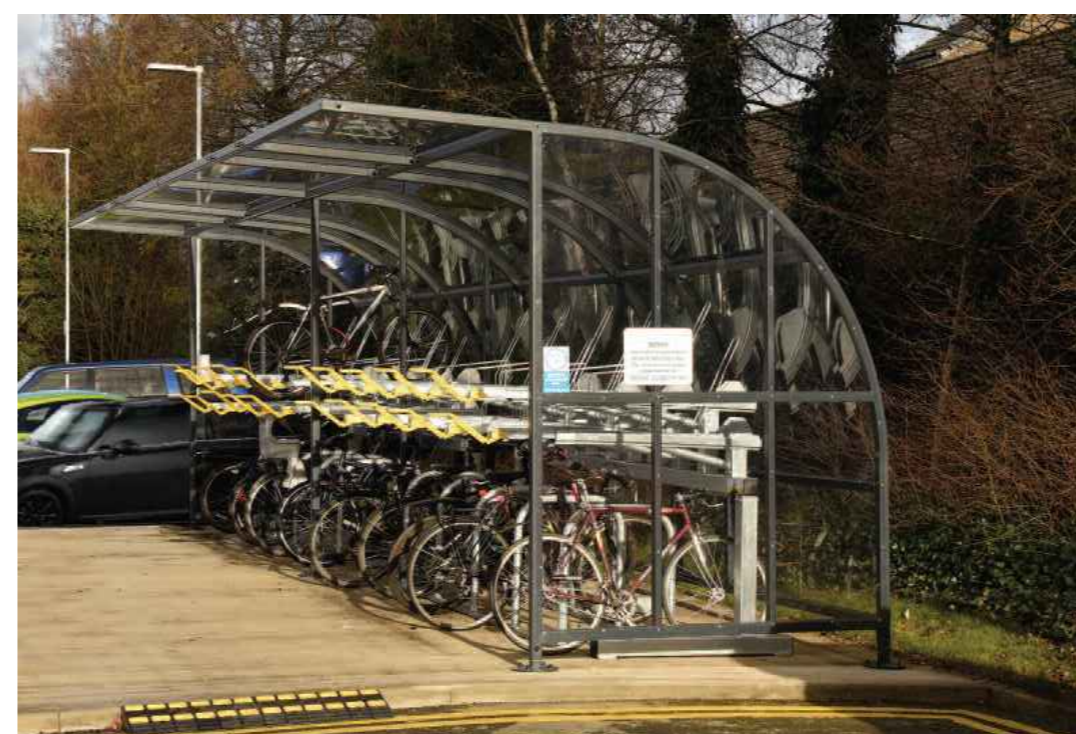
SITE PLAN DIAGRAM



CYCLE SHELTER SIDE ELEVATION



CYCLE SHELTER FRONT ELEVATION



TYPICAL CYCLE SHELTER IMAGE

PLANNING ISSUE

PL3	PLANNING ISSUE 3	LT	14.02.23	MD
PL2	PLANNING ISSUE 2	LT	31.01.23	MD
PL1	PLANNING ISSUE 1	LT	30.09.22	MD
REV.	AMENDMENT	DRAWN	DATE	AUTHD

client : HILL STREET HOLDINGS

project : OXFORD TECHNOLOGY PARK

site : LANGFORD LANE
KIDLINGTON, OXFORDSHIRE

content : BUILDING 8, 9, 10 & 11
PROPOSED CYCLE LOCATIONS

date : SEPT 2022

scale : NTS

ALL DIMENSIONS TO BE CHECKED ON SITE

GARRETT | MCKEE
ARCHITECTS

RILEY HOUSE
RILEY ROAD
MARLOW
BUCKINGHAMSHIRE
T 01628 907000
www.garrettmckee.co.uk

drg.no : revision :

2786 - 100

PL3