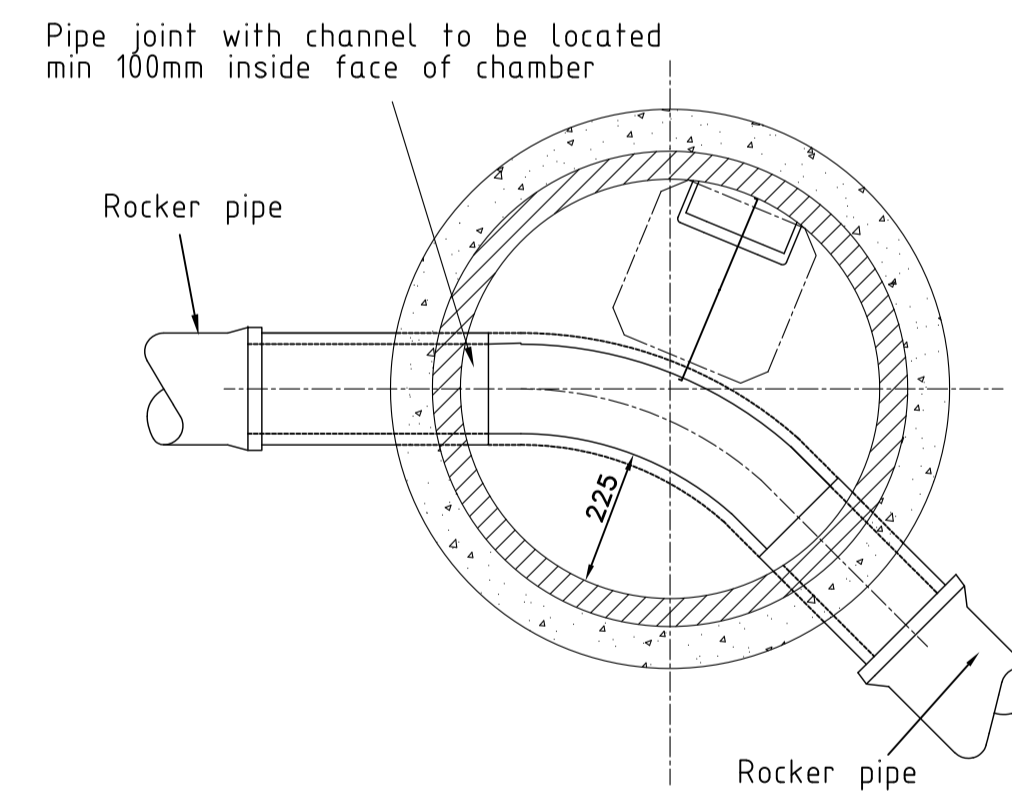
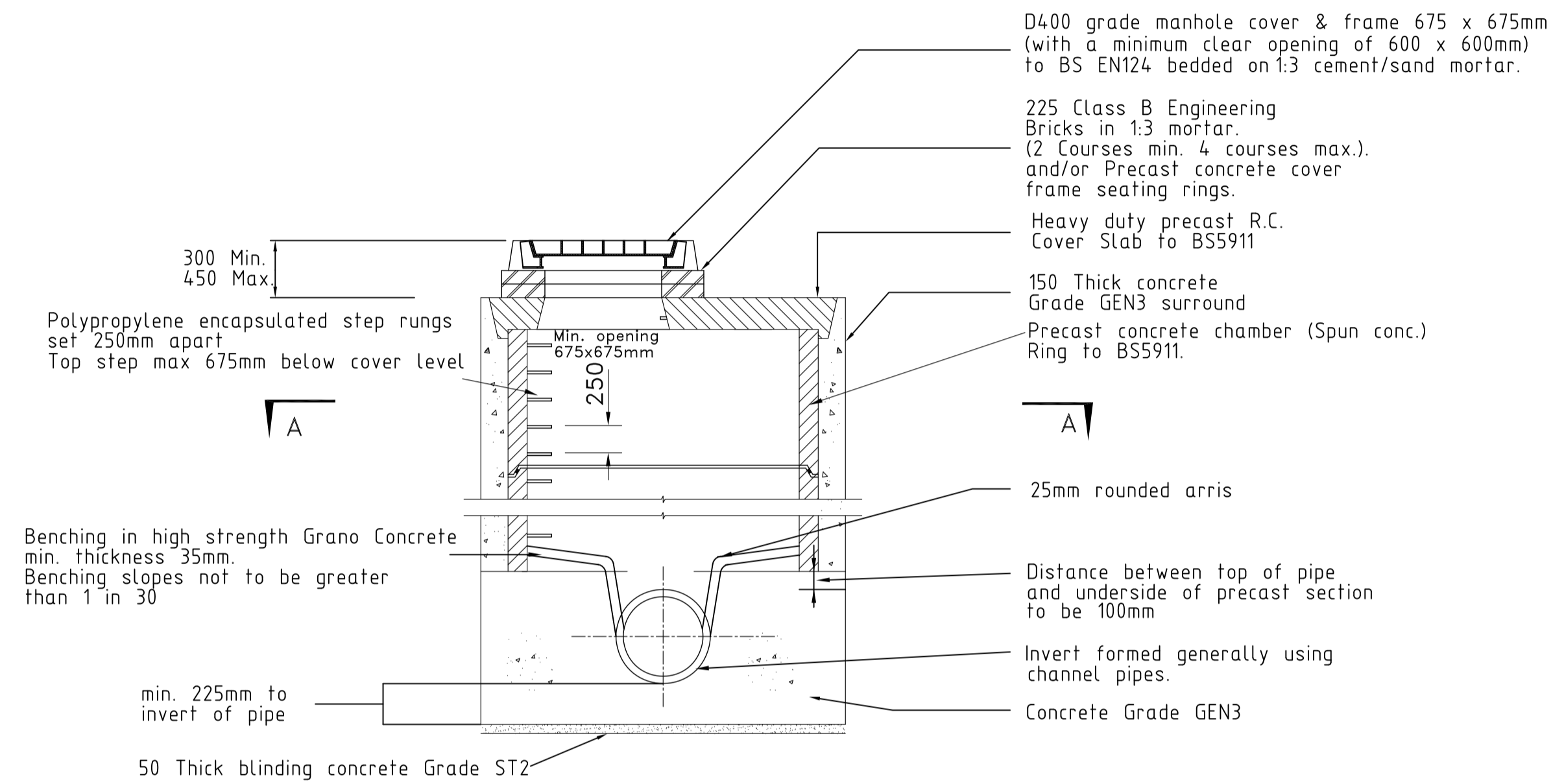


450 ϕ Polypropylene Inspection Chamber Details
(Max Depth 1.2m)



Plan A-A
1200 ϕ PCC Manhole Detail

NOTES

DO NOT SCALE FROM THIS DRAWING.
ALL DIMENSIONS MUST BE
CHECKED/VERIFIED ON SITE

Armstrong Stokes & Clayton Limited

Civil & Structural Engineering Consultants
Regus House, Herald Way, Pegasus Business Park, Castle Donington, Derbyshire, DE74 2TZ
Tel: 01159 417 893

Client:

EP Barrus Ltd

Job Title:

Proposed Development at Launton Road
Bicester
Oxfordshire

Drawing Title:

Drainage Details

Drawing number:

FRA115/101

Drawn:

JB

Date:

Jan 2024

Scale:

NTS

A1