

DARLING ASSOCIATES
ARCHITECTS

External Lighting

PLANNING CONDITION 15

Site 3 - JDE

Ruscote Avenue, Banbury

Planning Permission Nr.: 21/04171/F

February 2023

Revision A



Condition 15

Overview

Prior to the first use of the development hereby approved details of the external [lighting/security lighting/floodlighting] including the design, position, orientation and any screening of the lighting shall be submitted to and approved in writing by the Local Planning Authority. Prior to the first use of the development hereby approved the lighting shall be installed and operated in accordance with the approved scheme at all times thereafter.

Condition 15

External Lighting Plan

SMALL POWER LEGEND	
SYMBOL	DESCRIPTION
	SWITCHED FUSED SPUR

FS - DENOTES FACADE SIGNAGE SUPPLY
 SB - DENOTES SIGNAGE BLADE SUPPLY
 CV - DENOTES CEILING VOID

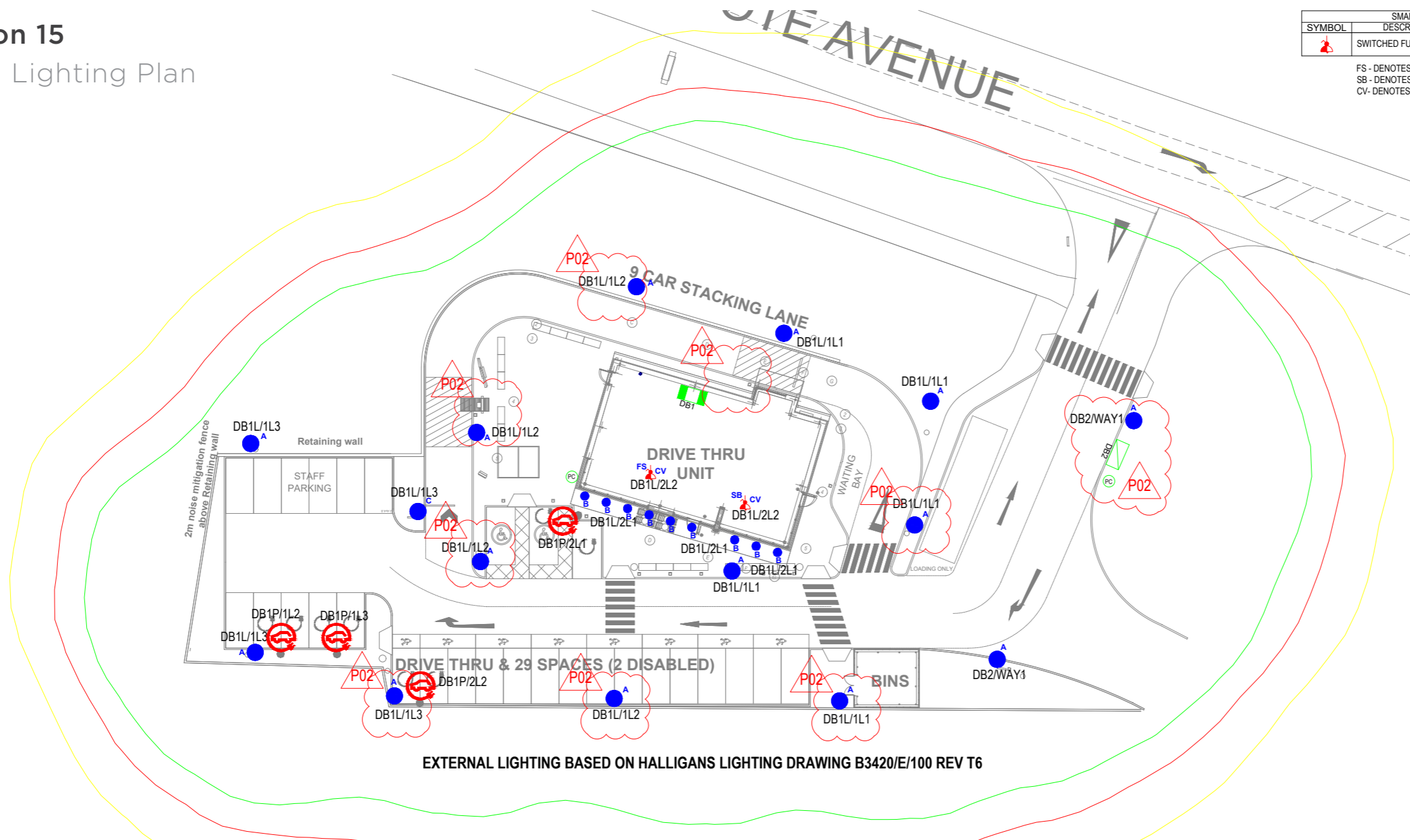
- Notes**
- Column lighting cabling to be PV/SWA/PVC
 - Internal signage and canopy lighting to be wired in flat LSZH multicore cable fitted to steel wire basket and girder clipped to structural steel
 - External lighting to turn off 1 hour after store closes
 - Column setting out by Site Engineer

Lighting Legend

- A** COLUMN MOUNTED FLOODLIGHT AT 6M ABACUS LIGHTING ALS1006/60W. Colour to be confirmed by Starbucks
- B** Ansell ABEAMLED 20W
- C** LED Quartz bollard by Abacus Lighting. Refer to architects drawing I6061-(90) - S3-S-001-DRI for exact locations. Colour to be confirmed by Starbucks

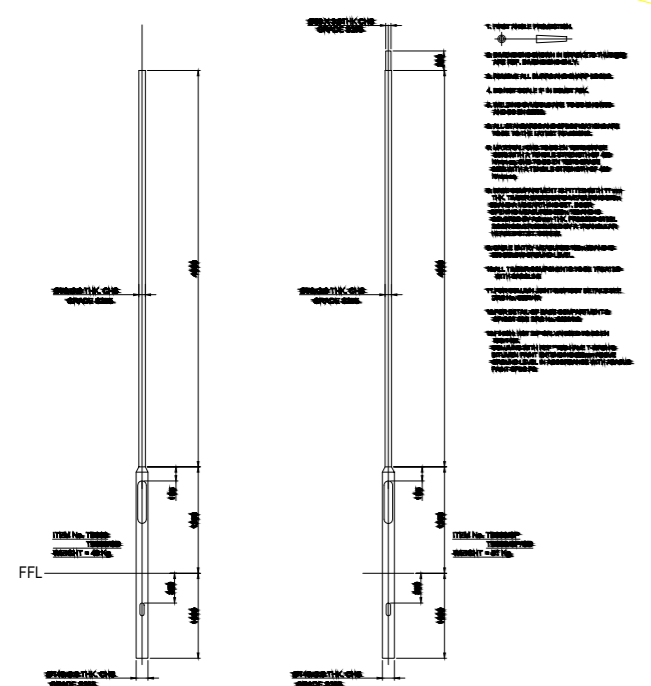
Isolines

- 0.2 lx
- 0.5 lx
- 1.0 lx

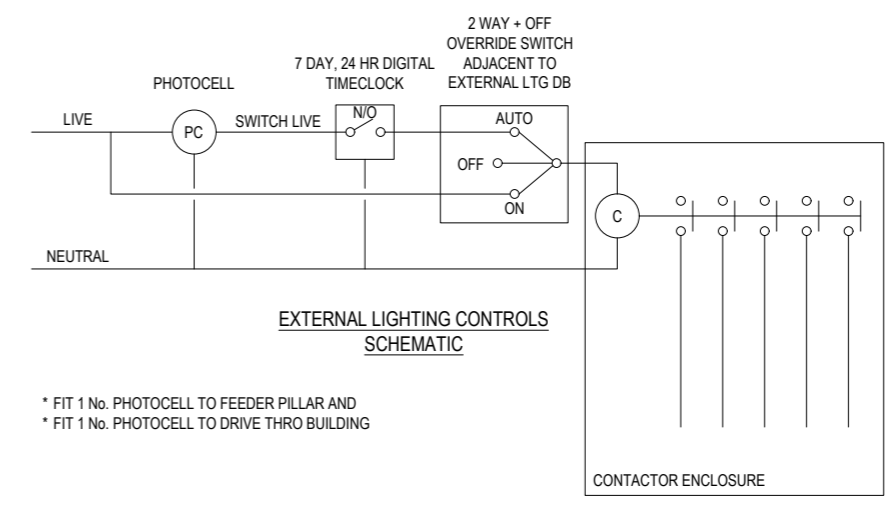


EXTERNAL LIGHTING BASED ON HALLIGANS LIGHTING DRAWING B3420/E/100 REV T6

COLUMN MOUNTING BWIC



ROLEC 0421G 2x7.4KW TYPE 2 SOCKET GREY



- * FIT 1 No. PHOTOCELL TO FEEDER PILLAR AND
- * FIT 1 No. PHOTOCELL TO DRIVE THRU BUILDING

Rev	Description	Drawn	Checked	Approved	Init	Date
P02	REVISED TO DTM COMMENTS			GC		04.01.23
P01	REVISED TO COMMENTS			GC		14.12.22

Client **PALOMA CAPITAL**

Site **Banbury Phase 3**

Drawing Title **EXTERNAL LIGHTING & EVC LAYOUT**

INTELLECT SERVICES LTD
 50 PARK LANE
 SUTTON BONINGTON
 LOUGHBOROUGH
 LEICESTER
 Tel : 01509 64992/ Mob: 07766685842

Status			
Preliminary			
Drawn	GC	Date	Nov 2022
Checked	JK	Scale	1:200@A1
Approved	JK		
Drawing Number	E601		Revision
			P02

1 External Lighting Spec - Lighting Bollards

External Lighting Spec - Lighting Bollards

1.1 Plan Showing Location and Orientation

Lighting Bollards

AL9001 LED Quartz bollard by Abacus Lighting.

Lighting Bollards are positioned as per the adjacent plan (Highlighted Blue) and provide 360 degree downlighting to the surrounding area.

Please see specification overleaf.



AL9000 Series Quartz LED Bollard

IP66

CE

Abacus®

Leaders in Lighting

High performance architecturally style LED bollard, ideal for paths, car parks, open areas, rail and amenity applications.



Benefits

- Louvres protected behind a 5mm thick polycarbonate cylinder
- Louvred light controller produces a highly controlled light output, reducing wasted light
- Anti-vandal screws increase protection against shocks or vibration

Key technical features

- Die cast aluminium head unit with clear polycarbonate outer cylinder (UV stabilised)
- Tough bollard shaft made from heavy duty steel CHS tubing
- Louvred light controller with LED light pumped into and through the acrylic louvres
- Operational equipment housed within bollard using IP67 driver on a removable tray. Facility to loop in and loop out electric cabling
- LED bollard has 90% efficiency
- Louvre rings can be printed with a logo, directional arrows or unique colour effects
- Vandal resistant with anti-vandal screws for extra security
- Upward light ratio (ULR) = 8%
- Flange plate or root mounting

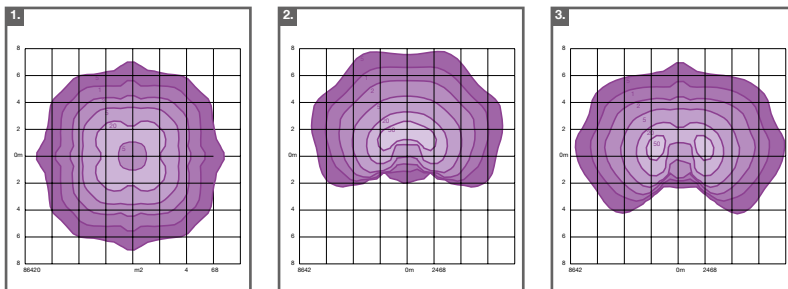
Applications

- Amenity
- Rail

Colour Effects:

- All white
- White with red band
- White with blue band
- White with green band

Individual requirements to be specified when ordering.
For emergency version, please enquire upon quotation.

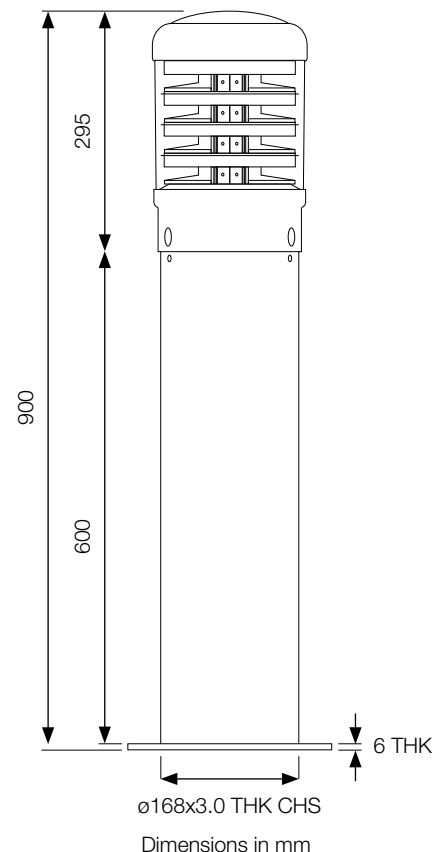


Symmetric Distribution
AL9001

Asymmetric Distribution
AL9002

Axial Distribution
AL9003

Item	No. LEDs & Wattages	Distribution	LED Current	Lumen Output	Colour Temp.
AL9001	16 x 1.6W	Symmetric	500mA	1975lm	4000K
AL9002	16 x 1.6W	Asymmetric	500mA	1975lm	4000K
AL9003	16 x 1.6W	Axial	500mA	1975lm	4000K



2 External Lighting Spec - Lamp Posts

External Lighting Spec - Lamp Posts

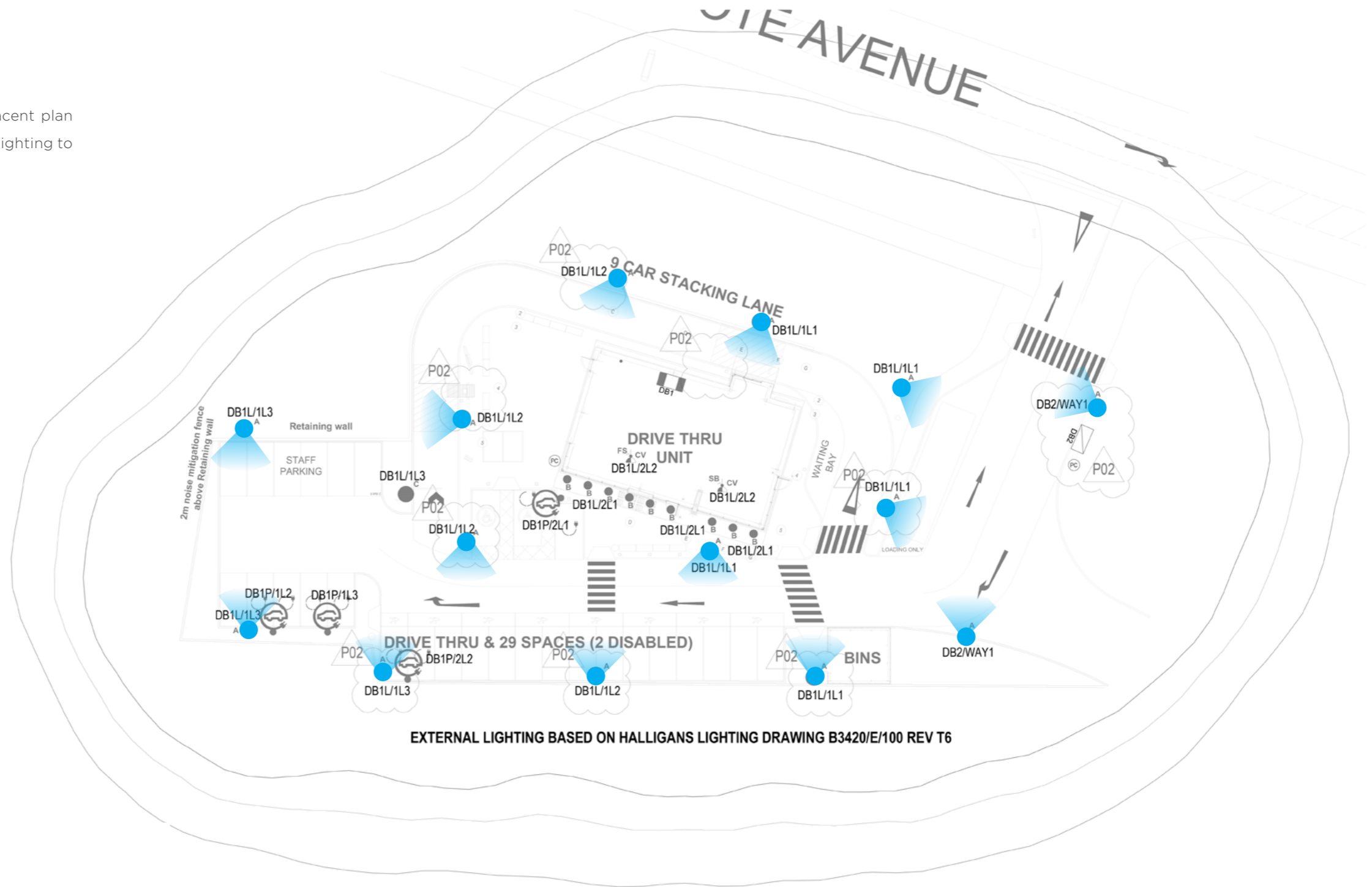
2.1 Plan Showing Location and Orientation

Lighting Bollards

ABACUS LIGHTING AL61006/60W.

Lighting Bollards are positioned as per the adjacent plan (Highlighted Blue) and provide 150 degree downlighting to the surrounding area.

Please see specification overleaf.



AL61000 Series

IP66

IK09



Abacus®

Leaders in Lighting

An innovative road lighting luminaire of modular construction designed with ease of maintenance in mind. Tool-less upgrades of key components such as power supply and light engine along with field-replaceable LED modules ensure the luminaire takes full advantage of future improvements in LED technology.

Constructed from high pressure die-cast aluminium, the AL61000 series is available in two body sizes and offers six standard lumen packages, from 1200 to 15,600 lumens, and comes with six different optics.

With a lifetime of 100,000 hours (L80B10) combined with an efficacy of more than 130 lm/W, the AL61000 series keeps both operating and maintenance costs to an absolute minimum.

Benefits

- Tool-less quick access latch
- Screw-less maintenance
- Durable die-cast aluminium housing
- Flexibility with vertical or horizontal spigot mounting
- Multiple optics

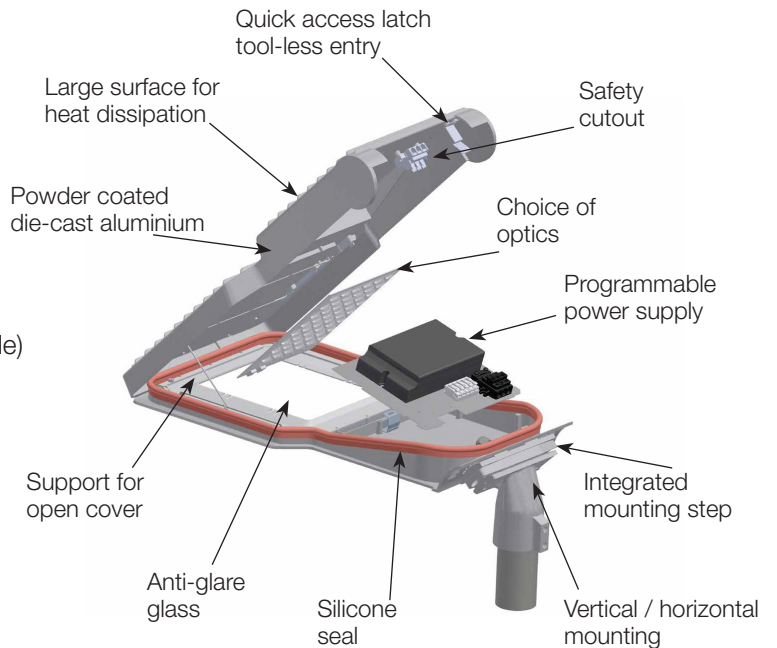
Key technical features

- Controls; Dali, 1-10V, RF or PLC (specify at enquiry)
- Efficacy up to 130 lm/W
- Integrated 5 level dimming module (optional)
- Overheat protection
- Constant light output (optional)
- Time-dependant lumious flux control
- Power reduction; flexible lumious flux
- IP66 and IK09 rated
- Colour temperature 4000K as standard (options available)
- CRI ≥70 (80 optional)
- Power supply 100Vac - 277Vac
- Standard surge protection 6kV

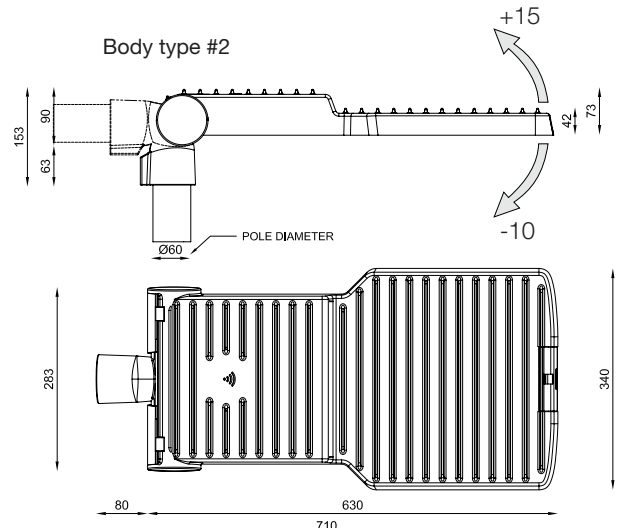
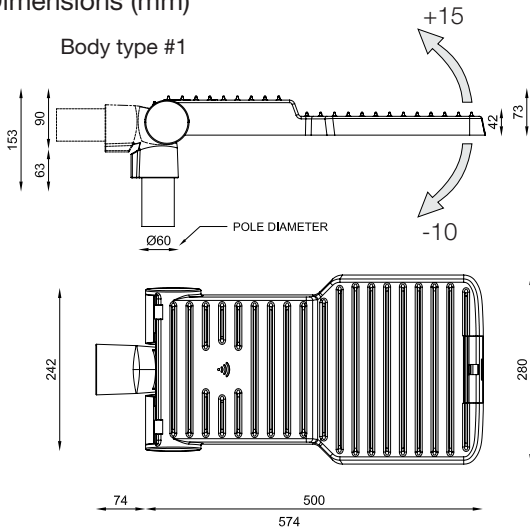
Applications

- Road
- Rail
- Open area
- Amenity

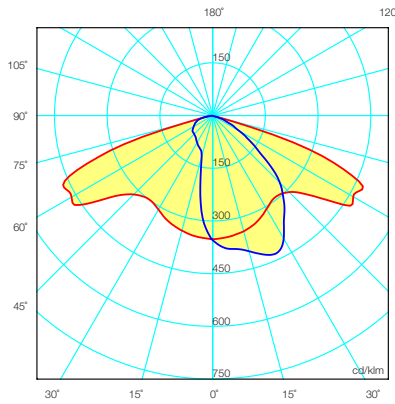
Colour: Grey



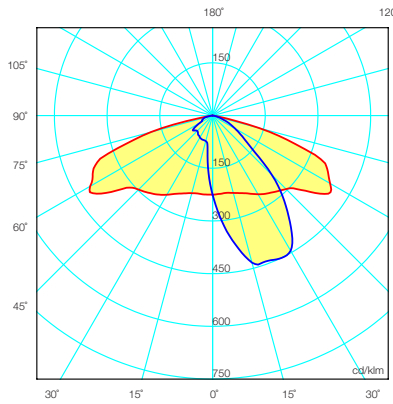
Dimensions (mm)



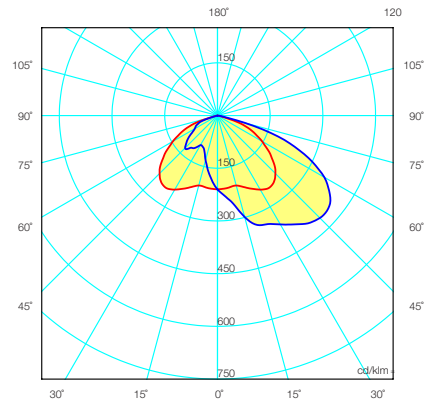
Optics



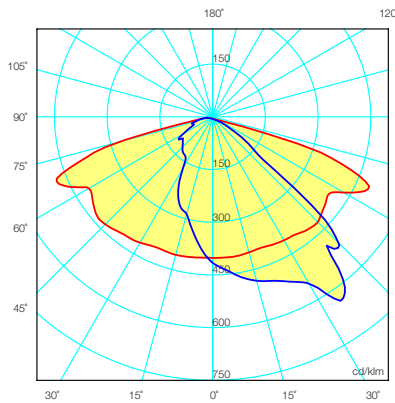
(010) Suitable for larger distance between poles and high mounting installations. Higher uniformity factor



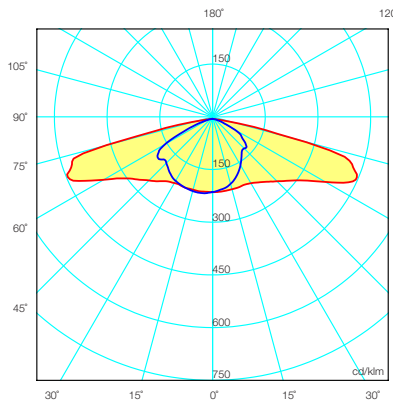
(002) Suitable for narrower roadways across roads, cycling and pedestrian areas



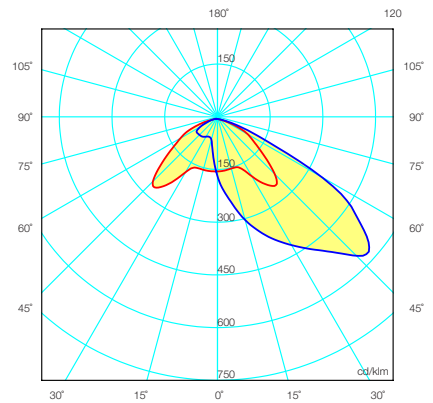
(110) Suitable for wide roadways, parking spaces. Smaller distance between columns



(020) Suitable for wide roadways, larger distance between columns



(200) Suitable for larger distance between columns, within bicycle paths



(202) Suitable for wide roadways and parking spaces with smaller distances between columns

Technical Specification	Body type 1	Body type 2
Lifetime L80B10	> 100,000 hours	
Supply voltage	100Vac - 277Vac	
LED	4-8	12-24
Power (W)	10, 25, 40	60, 80, 120
Light flux (lm)	1,200 - 5,100	7,530 - 15,540
Power factor	> 0.96	
CCT	4,000 K (other CCT available)	
Factor of colour rendering CRI	≥ 70 (80 optional)	
Mechanical strength	IK09	
Protection class	IP66	
Additional surge protection	6kV standard (10kV or 20kV option)	
Operating temperature	-40°C to +55°C	
Electrical class	Class I (Class II optional)	
Weight	6kg	9kg
EPA rating	0.0336m ²	0.0406m ²
Dimensions (mm)	574 x 242 x 153	703 x 285 x 153
Mounting	60mm pole (adaptor required for other columns dimensions)	
Tilt	-10° to +15° (horizontal and vertical installation)	
Certificates	IEC 60598-1:2014 (8 edition); IEC 60598-2-3:2002 + A1:2011; EN 60598-1:2015; EN 60598-2-3:2003 + A1:2011; IEC/EN 62031:2008 + A1+A2; IEC/TR 62778:2014; EN60068-2-6: N60068-2-27: CE, ENEC	
Guarantee	5 years on electronics, 10 years on mechanics, upon request	
Remote control	Optional RF or PLC	

AL61000 Series
IP66
IK09

Luminaire code	LED type	Luminaire Wattage	Luminaire - Lumen output (lm)	Driver current (mA)	Number of LEDs	Body type	Light distribution type	Weight (kg)	Wind area (m ²)
AL61001	Standard	10	1200	700	4	1	(010) Suitable for larger distance between poles and high mounting installations. Higher uniformity factor	6	0.0336
		25	3270	700	6	1		6	0.0336
		40	5100	700	8	1		6	0.0336
		60	7530	700	12	2		9	0.0406
		80	10200	700	16	2		9	0.0406
		120	15540	700	24	2		9	0.0406
AL61002	Standard	10	1200	700	4	1	(002) Suitable for narrower roadways across roads, cycling and pedestrian areas	6	0.0336
		25	3270	700	6	1		6	0.0336
		40	5100	700	8	1		6	0.0336
		60	7530	700	12	2		9	0.0406
		80	10200	700	16	2		9	0.0406
		120	15540	700	24	2		9	0.0406
AL61003	Standard	10	1200	700	4	1	(110) Suitable for wide roadways and parking spaces. Smaller distance between columns	6	0.0336
		25	3270	700	6	1		6	0.0336
		40	5100	700	8	1		6	0.0336
		60	7530	700	12	2		9	0.0406
		80	10200	700	16	2		9	0.0406
		120	15540	700	24	2		9	0.0406
AL61004	Standard	10	1200	700	4	1	(020) Suitable for wide roadways, larger distance between columns	6	0.0336
		25	3270	700	6	1		6	0.0336
		40	5100	700	8	1		6	0.0336
		60	7530	700	12	2		9	0.0406
		80	10200	700	16	2		9	0.0406
		120	15540	700	24	2		9	0.0406
AL61005	Standard	10	1200	700	4	1	(200) Suitable for larger distance between columns, within bicycle paths	6	0.0336
		25	3270	700	6	1		6	0.0336
		40	5100	700	8	1		6	0.0336
		60	7530	700	12	2		9	0.0406
		80	10200	700	16	2		9	0.0406
		120	15540	700	24	2		9	0.0406
AL61006	Standard	10	1200	700	4	1	(202) Suitable for wide roadways and parking spaces with smaller distances between columns	6	0.0336
		25	3270	700	6	1		6	0.0336
		40	5100	700	8	1		6	0.0336
		60	7530	700	12	2		9	0.0406
		80	10200	700	16	2		9	0.0406
		120	15540	700	24	2		9	0.0406

3 External Lighting Spec - Building Downlights

External Lighting Spec - Building Downlights

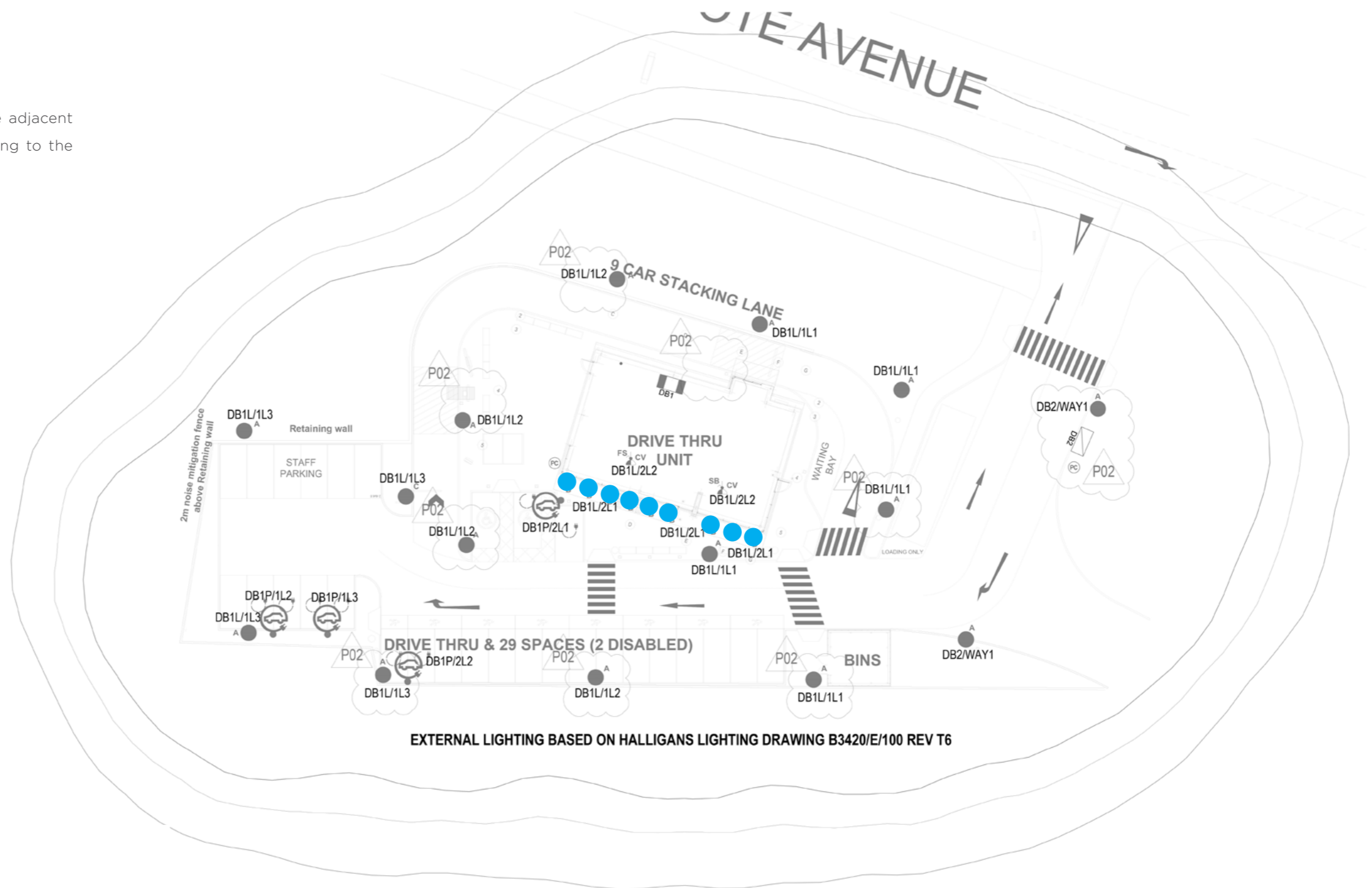
3.1 Plan Showing Location and Orientation

Building Downlights

Ansell ABEAMLED 20W

Building Downlights are positioned as per the adjacent plan (Highlighted Blue) and provide downlighting to the facade and surrounding area.

Please see specification overleaf.





ABEAMLED

Beam AC Graphite



Features

Compact and powerful die-cast aluminium wall light suitable for residential and hospitality applications

Dual purpose design allows installation as either a canopy downlight or as an uplight

Allen key screws manufactured from marine grade stainless steel

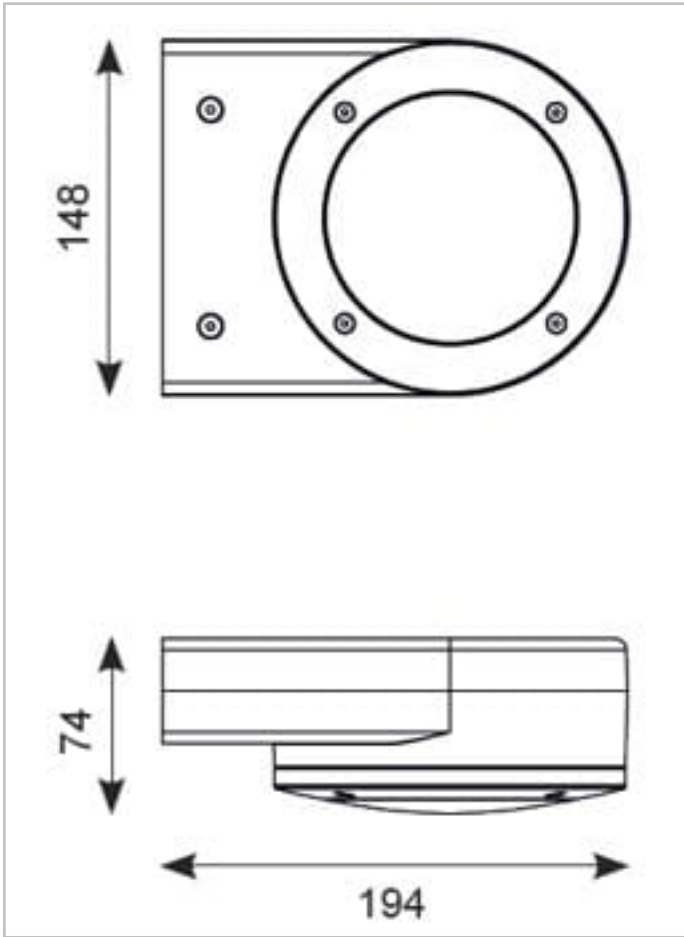
Non-dimmable

General Information

Lamp Type	LED
Colour / Finish	Graphite
IP Rating	IP65
IK Rating	IK02
Class Protection	1
Internal / External	Internal / External
Surface / Recessed / Suspended	Surface
Lifetime (Hrs)	L70 70,000h
Warranty (Years)	5
CE Mark	Yes
Length (mm)	194 mm
Width (mm)	148 mm
Height (mm)	74 mm

Technical Information

Wattage	20W
Lumens Delivered	1300lm
Lm/W	65lm/W
Beam Angle	65
CRI	80
CCT	4000K
Input	220/240V
Hertz	50/60Hz
Operating Temp	0°C to 25°C
SDCM	3



Datasheet generated from <https://onetimepim.com> last updated Monday, July 25, 2022 10:07:48 AM

1 Luminaire data

1.1 Ansell, AMENITY - Beam AC LED (ABEAMLED)

1.1.1 Data sheet

Manufacturer: Ansell

ABEAMLED

AMENITY - Beam AC LED

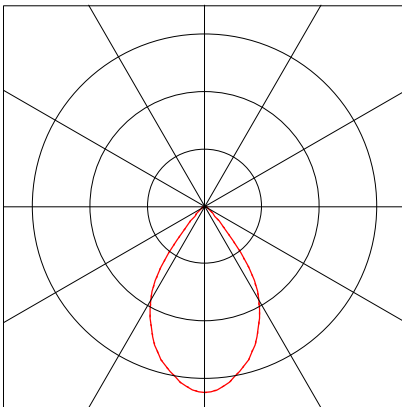
Luminaire data

Luminaire efficiency : 68.37%
Luminaire efficacy : 64.95 lm/W
Classification : A60 ↓100.0% ↑0.0%
CIE Flux Codes : 89 98 99 100 68
UGR 4H 8H : 16.9 / 16.9
Power : 20 W
Luminous flux : 1299 lm

Equipped with

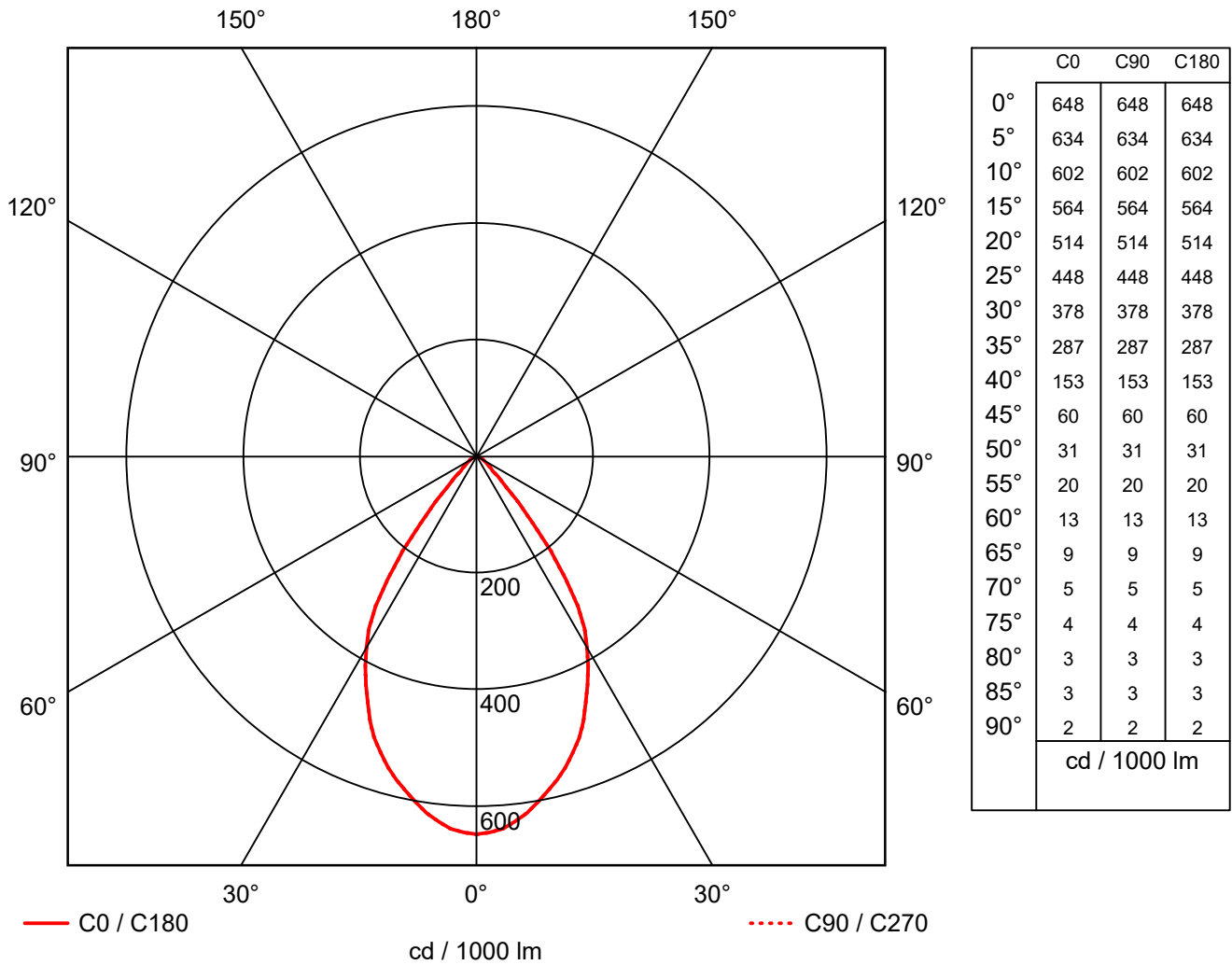
Quantity : 1
Designation : LED 0
Colour : 840/4000K
Luminous flux : 1900 lm
Colour reproduction : 1B/80...89

Dimensions : 148 mm x 194 mm x 75 mm



1.1 Ansell, AMENITY - Beam AC LED (ABEAMLED)

1.1.2 LDC



Manufacturer	: Ansell	Efficiency factor	: 68.37%
Order number	: ABEAMLED	Luminaire efficacy	: 64.95 lm/W (A60)
Luminaire name	: AMENITY - Beam AC LED	Light distribution	
Equipment	: 1 x LED 0 20 W / 1900 lm	Beam Angle	: 33.3° C0
Dimensions	: L 148 mm x W 194 mm x H 75 mm		33.3° C90
File name	: ABEAMLED.Idt		33.3° C180
			33.3° C270

DARLING ASSOCIATES
ARCHITECTS

London
1 Greencoat Row
Victoria
London, UK
SW1P 1P

Manchester
Cypress House
3 Grove Ave
Wilmslow, UK
SK9 5EG

Poznan
Stary Rynek 61
61-772
Poznań
Poland

www.darlingassociates.net
mail@darlingassociates.net
+44 (0) 20 7630 0500
[@DAArchitectsUK](#)
[@darlingassociates](#)