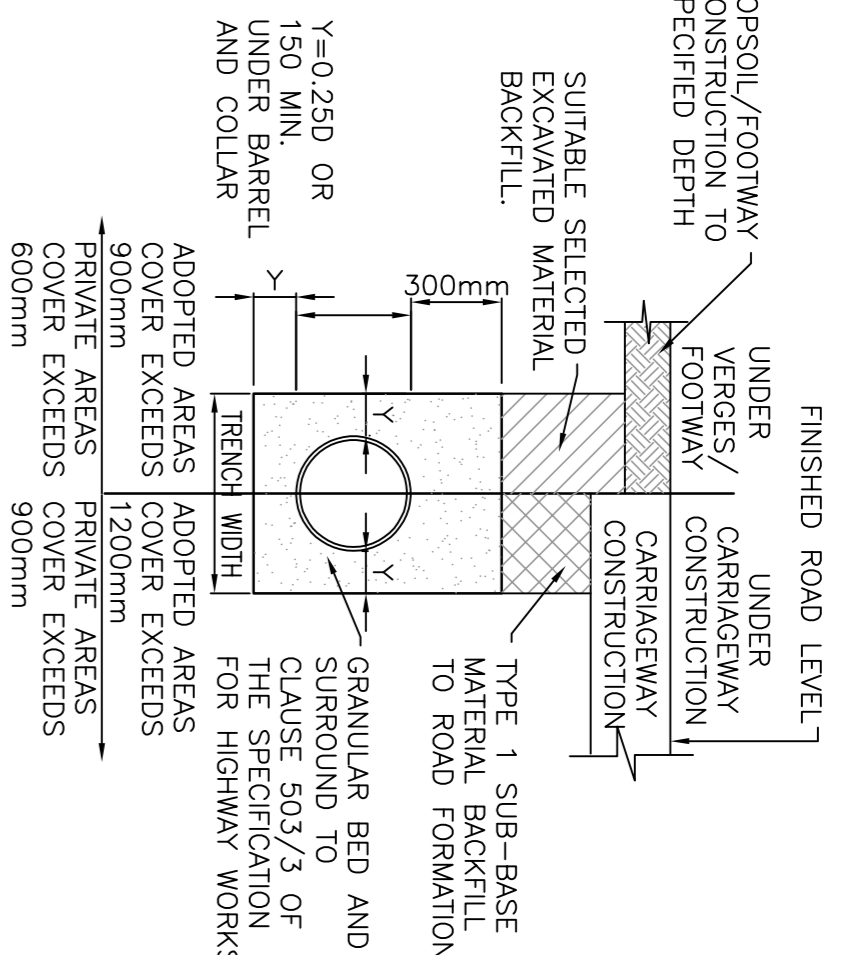
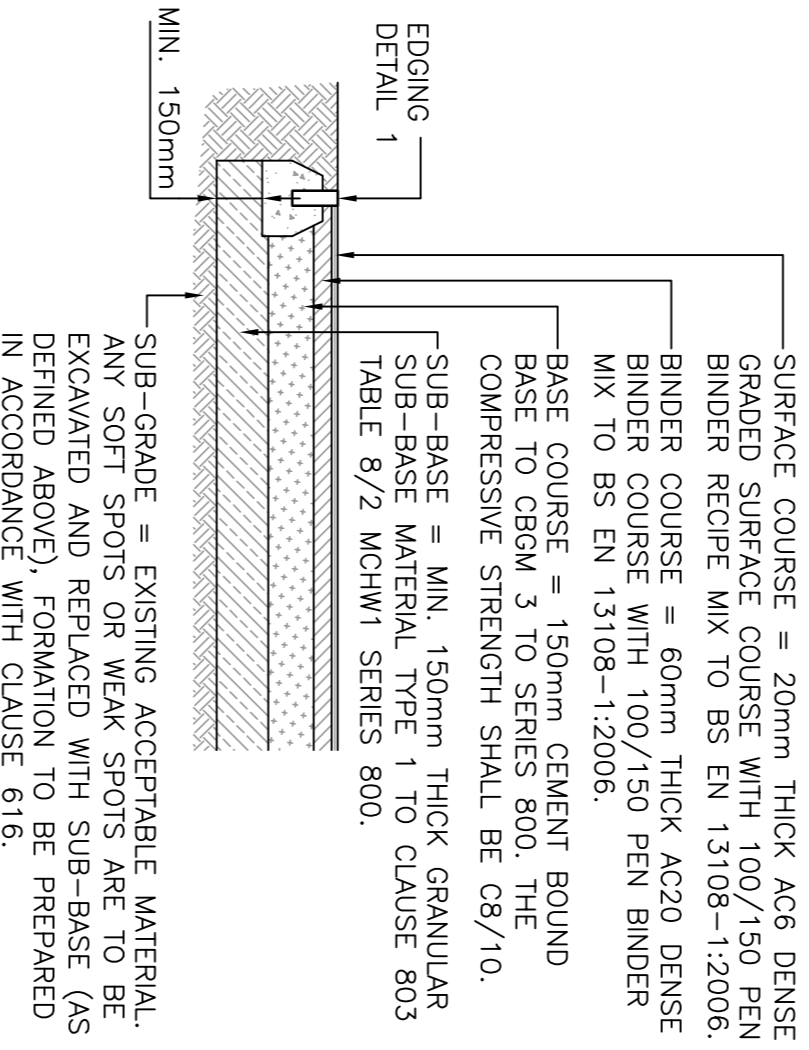
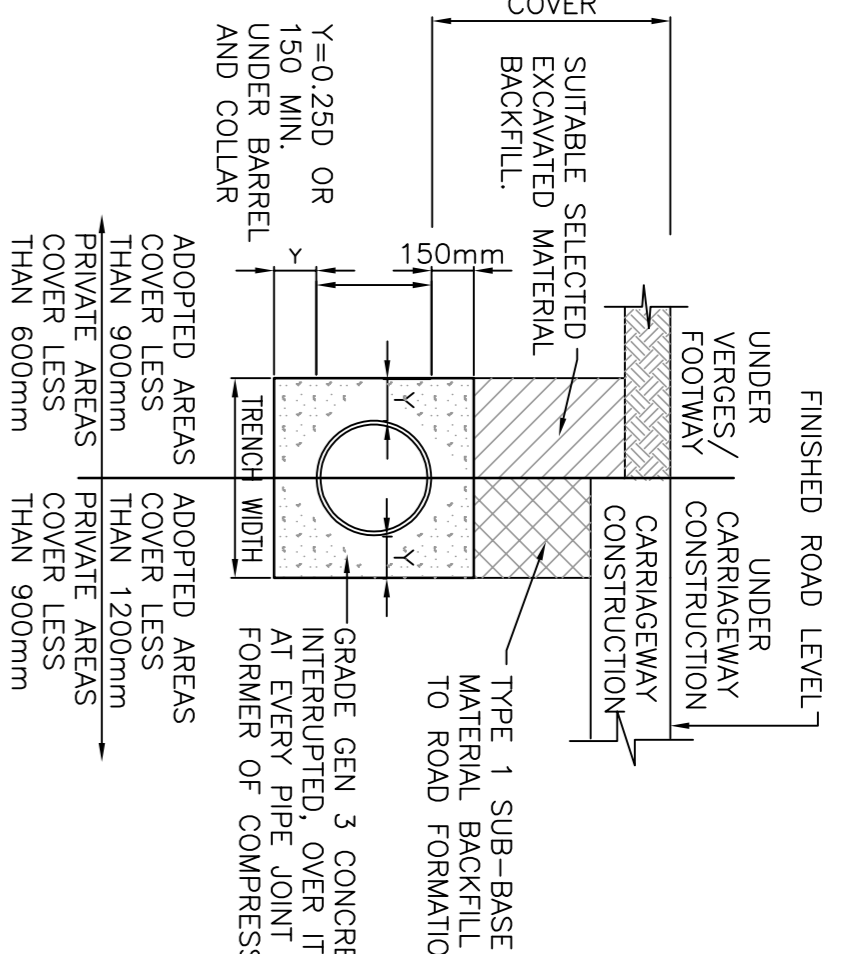


PRECAST TRAPPED GULLY
N.T.S.

CLASS S GRANULAR SURROUND
PIPE BEDDING DETAILS
N.T.S.



CLASS Z CONCRETE SURROUND
PIPE BEDDING DETAILS
N.T.S.



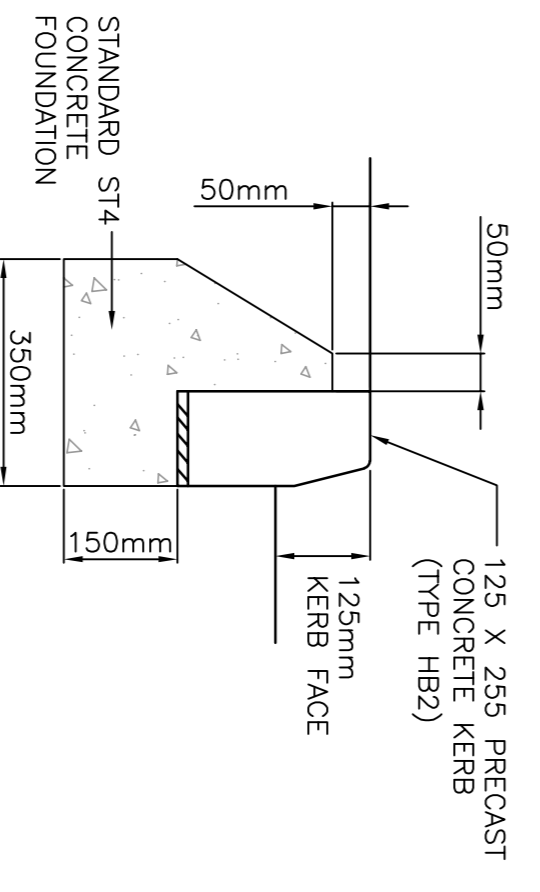
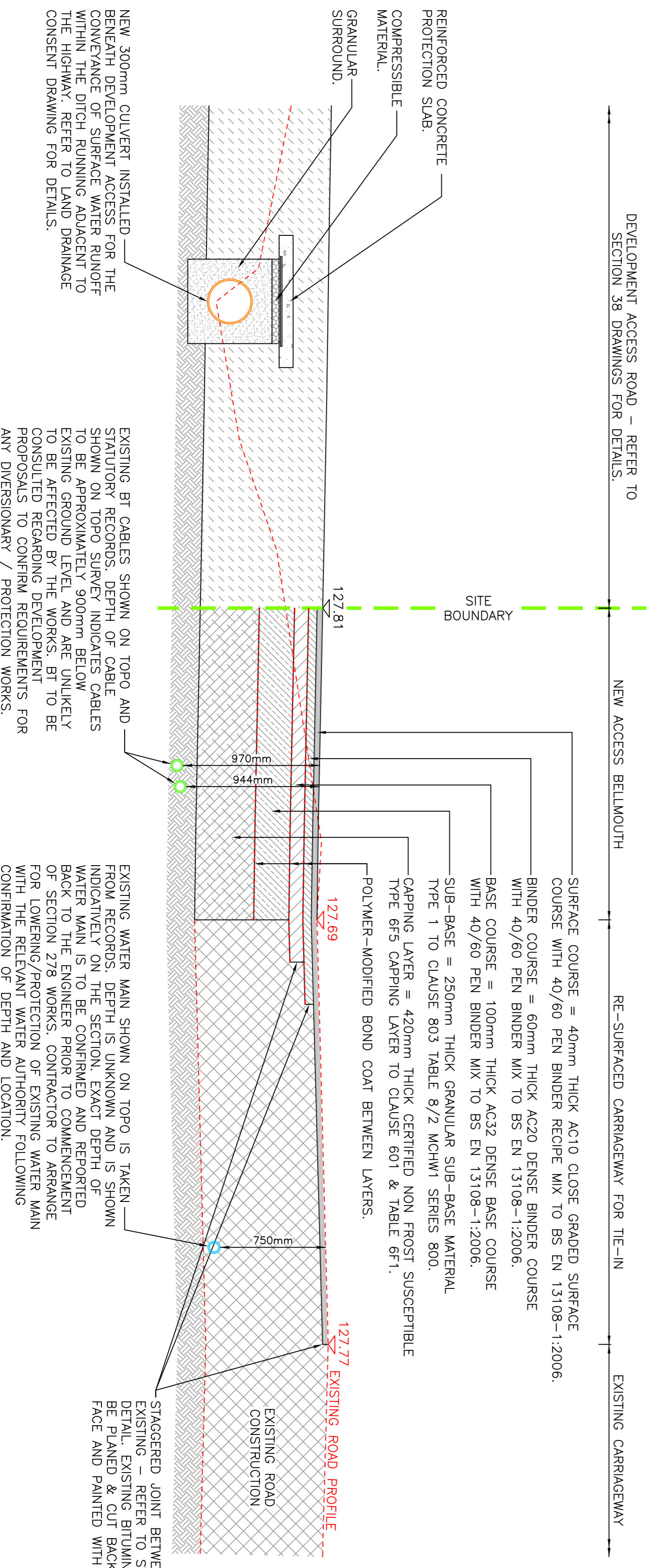
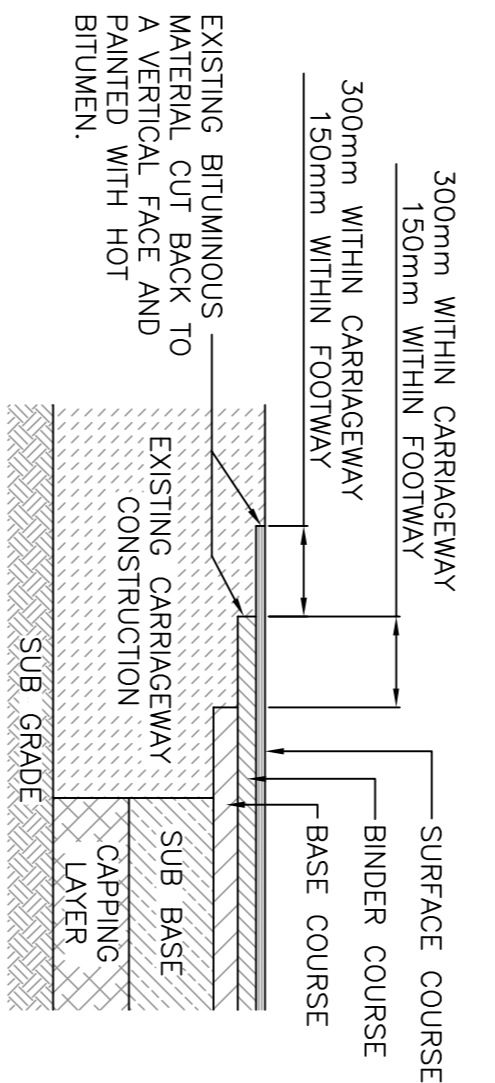
SPECIFICATION FOR NEW ASPHALT FOOTPATH
SCALE 1:25

TABLE 1 - CBR DESIGN TABLE.

CBR (%)	Subbase on Capping (mm)	Subbase Only (mm)
≥2.5	250	420
2.5 - 5.0	200	285
5.0 - 7.5	165	220
7.5 - 10.0	150	200
10.0 - 12.5	150	170
12.5 - 15.0	150	150
15.0	150	200

(figures used in table above have been extracted from figures 3.18 and 3.20 of GD220).

STAGGERED JOINT BETWEEN NEW ROAD/FOOTWAY CONSTRUCTION AND EXISTING CARRIAGEWAY/FOOTWAY
SCALE 1:25



KERB DETAIL 1
Scale 1:10

NOTES

- This drawing to be read in conjunction with all relevant Architects, Engineers and Subcontractors drawings and details. Dimensions not to be scaled.
- All works to be carried out in accordance with the requirements of Oxfordshire County Council and subject to approval.
- Contractor to ensure Oxfordshire County Council Inspector attends site as and when required.
- Unless noted otherwise, clauses refer to The Specification for Highway Works: Volume 1 of the Manual of Contract Documents for Highway Works. All works are to be carried out to this specification.
- Bituminous material to be in accordance with BS EN 13108-1:2006.
- If surface course is not constructed within 3 days of base course must be cleaned and tack coated prior to laying.
- Carrageway constructions is based on a CBR value of 4.0% in accordance with results found in Site Investigation BC195 RE001 by The Bromfield Consultancy, January 2021. CBR values to be confirmed by Contractor and adjusted in accordance with Table 1 found on the construction details drawing. Note minimum overall construction thickness of 450mm must be achieved.
- All road markings shall be in accordance with the "Traffic Signs Manual" and Oxfordshire County Council standard details.
- All road markings shall be in reflectorised materials to BS 3262:CLASS A and to 1212.

DRAWING STATUS		DATE	BY
PK	ISSUED FOR APPROVAL	14/11/2021	J.H.
REVISION	REVISION	DATE	BY
FOR APPROVAL			
DRAWING TITLE			
SECTION 278 - CONSTRUCTION DETAILS			
PROJECT			
LAND AT FEWCOTT ROAD, FRITWELL			
		8 Frildy Street Henley-on-Thames Oxfordshire T: 01491 576 271 E: mail@simpson-tws.com W: www.simpson-tws.com	
Drawn	Checked	Sealed	Date
J.J.H.	M.A.C.	SHOWN	AUG21
PRELIMINARY			
Project Number	Drawing Number	Revision	
P18-654	204	P1	