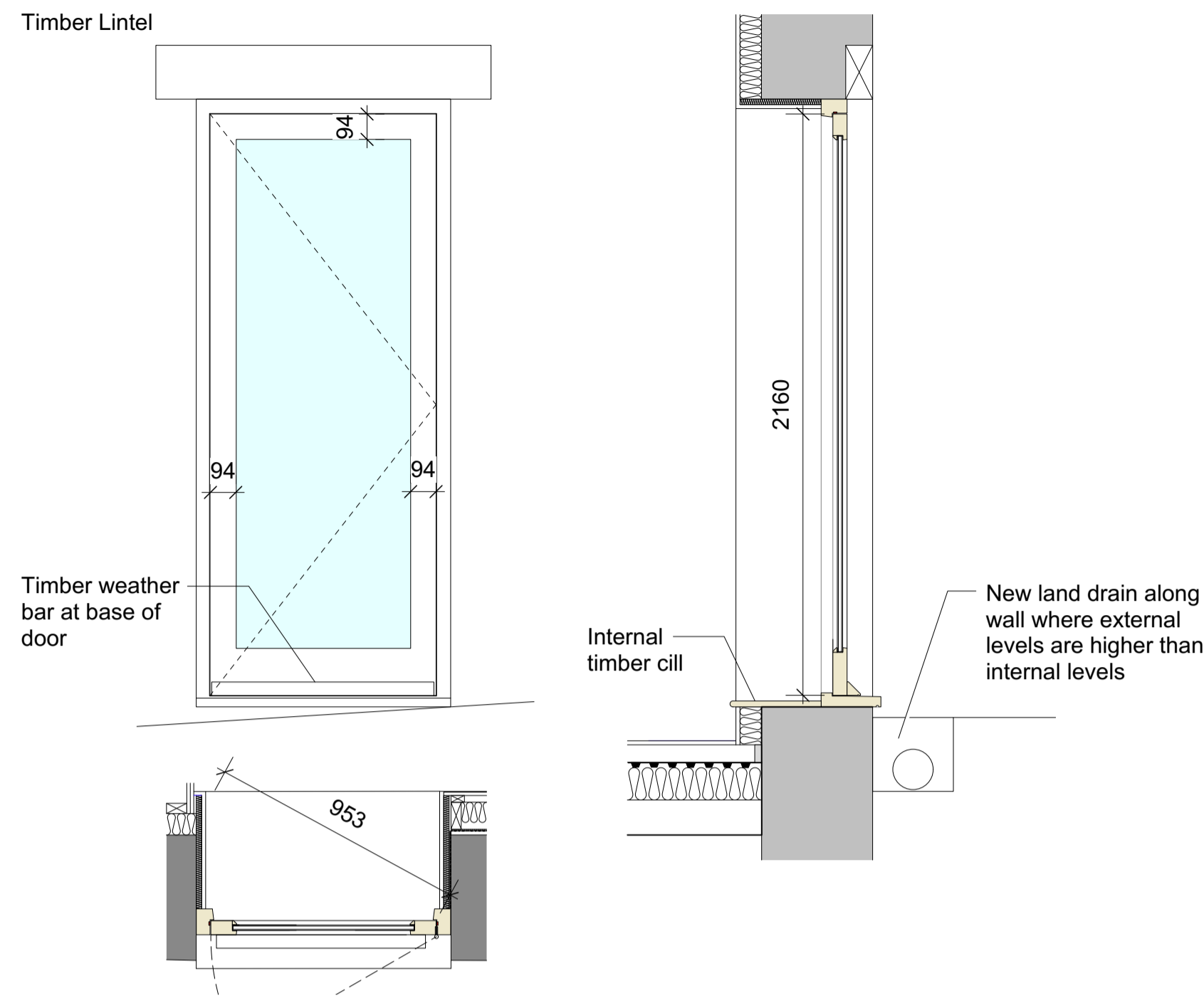
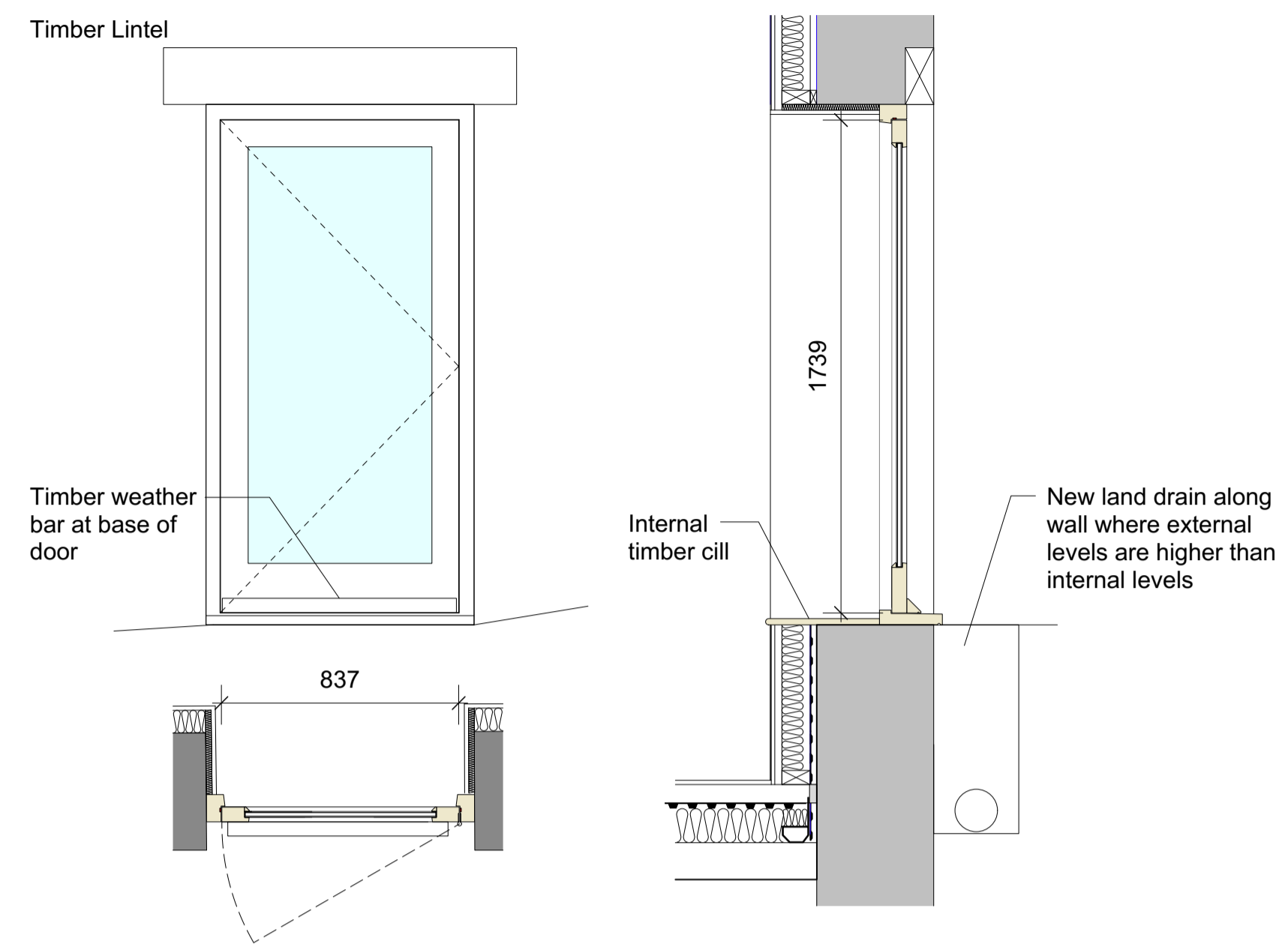


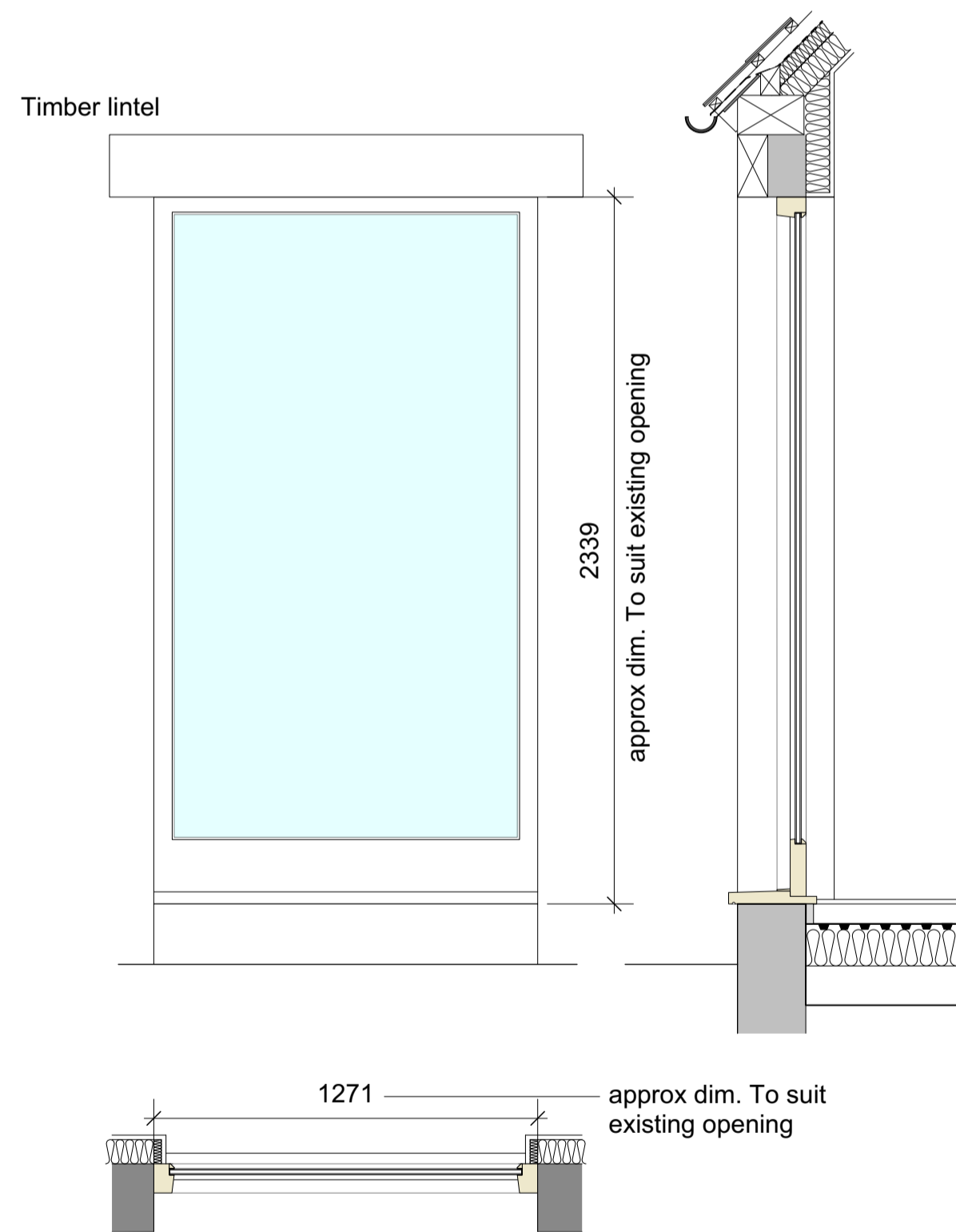
ED04  
Front Door 1:20



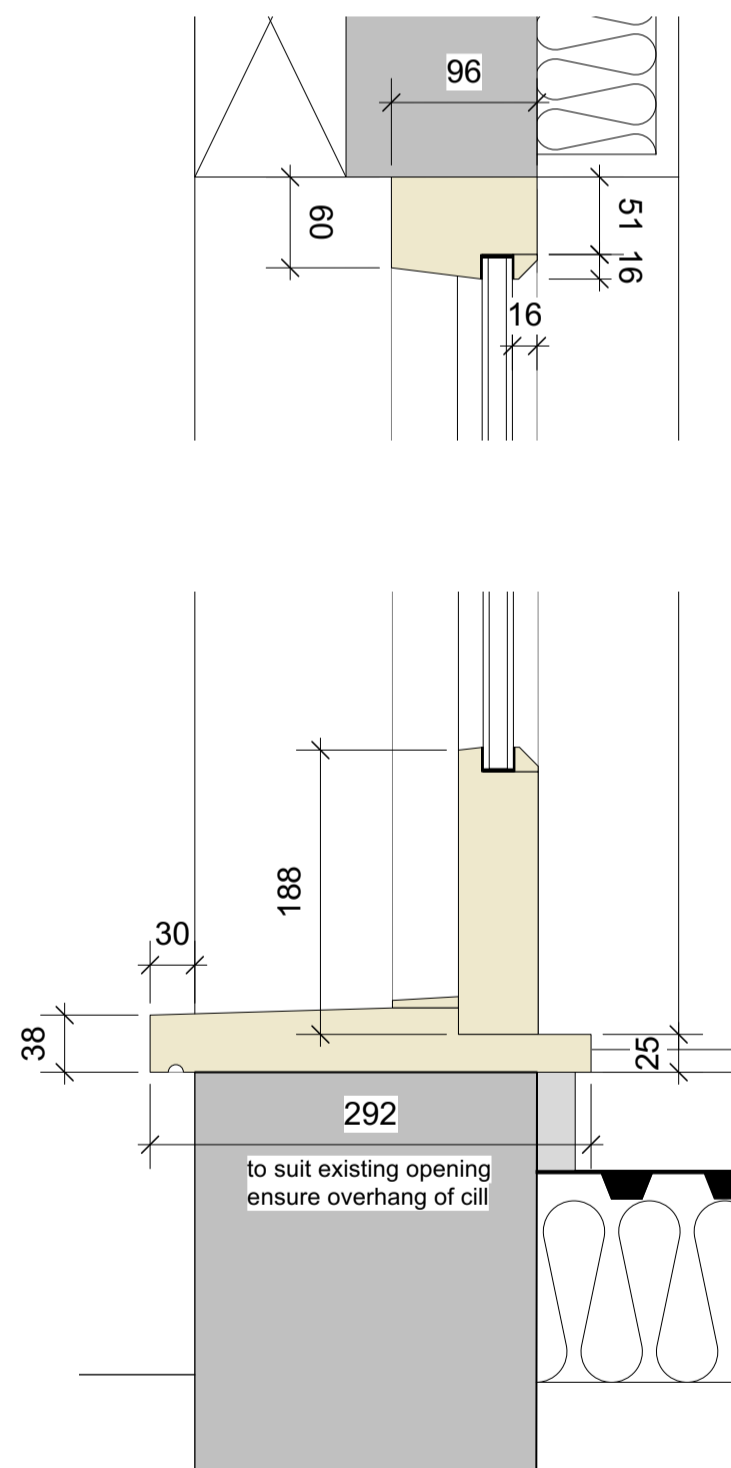
ED08 - Bedroom 4  
Timber Framed Glazed Door (long window) 1:20



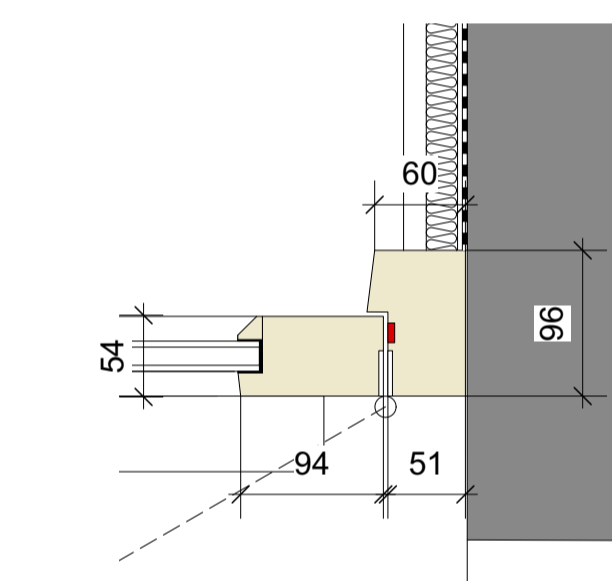
ED09 - Bedroom 3  
Timber Framed Glazed Door (long window) 1:20



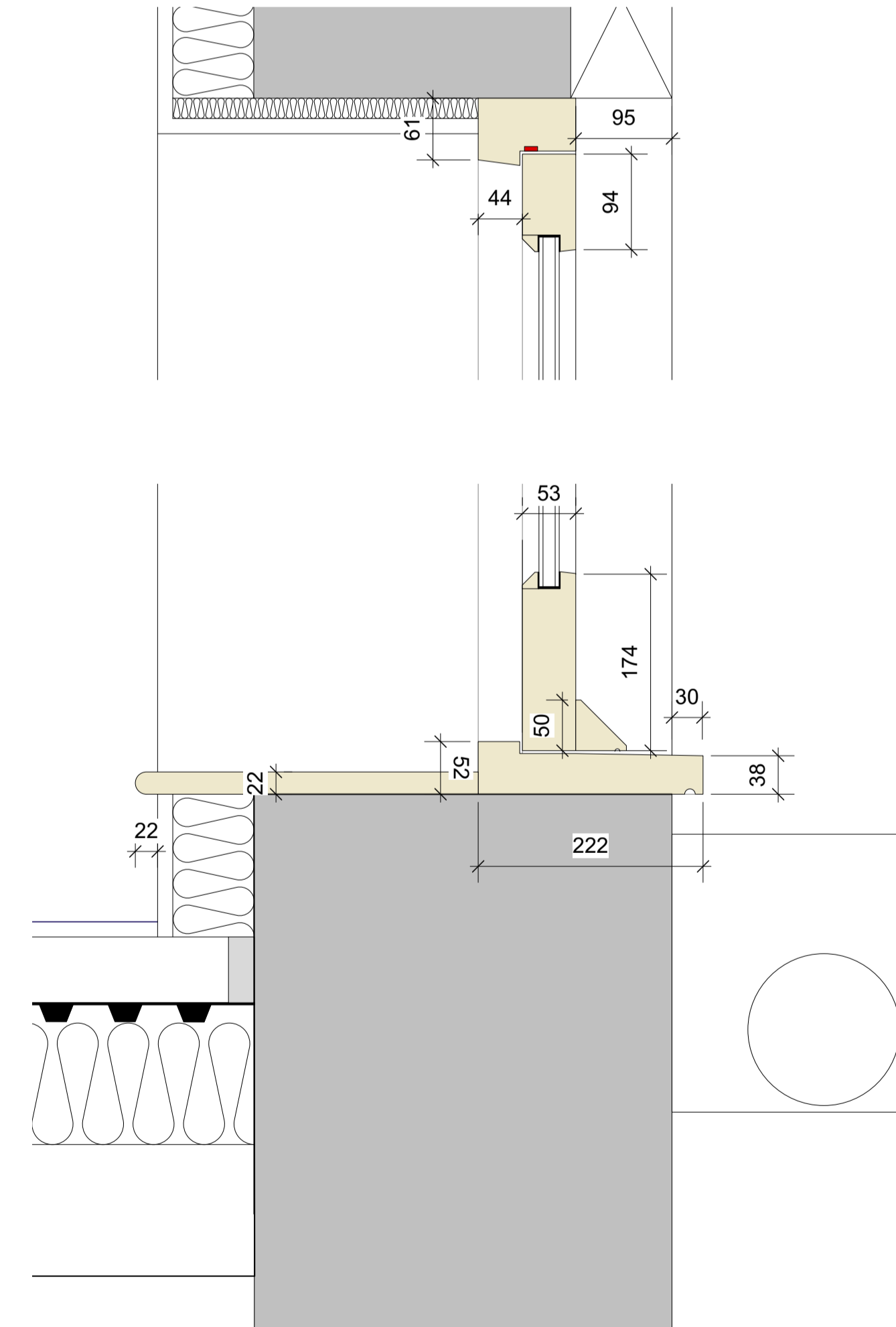
W04  
Fixed timber frame window to existing opening 1:20



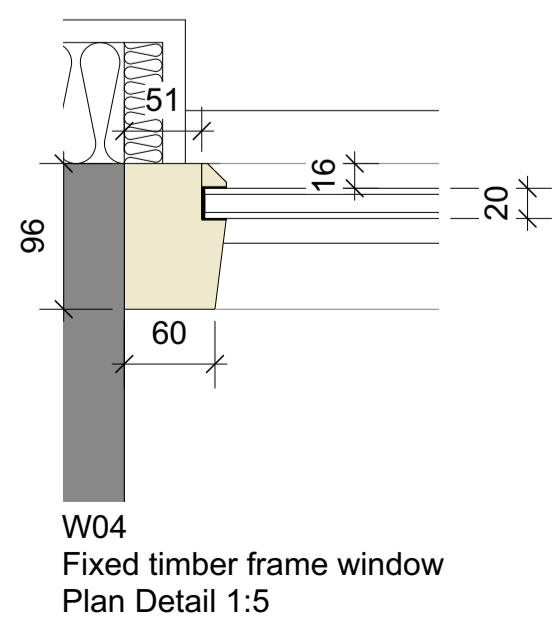
W04  
Fixed timber frame window  
Section Detail 1:5



ED08, ED09  
Timber Frame Glazed Door (long window)  
Plan Detail 1:5



ED08, ED09  
Timber Frame Glazed Door (long window)  
Section Detail 1:5



W04  
Fixed timber frame window  
Plan Detail 1:5



- Notes**
1. This drawing remains copyright of Blake Architects Limited and may not be reproduced or copied without consent in writing.
  2. For construction use figured dimensions.
  3. Any discrepancies between site and drawings to be reported to the architect immediately.
  4. Read in conjunction with all relevant structural and mechanical & electrical engineers drawings.
  5. Survey undertaken by:

REVISIONS	

PROJECT	Crockwell Farm
ADDRESS	Crockwell Barn, Crockwell House Far, Manor Road

<b>BLAKE ARCHITECTS</b>	<b>Blake Architects Limited</b> 1 Covens Barn, Jackbarrow Rd, Winstone, Gloucestershire, GL7 7JS [t] 01285 841407 [e] mail@blakearchitects.co.uk www.blakearchitects.co.uk
-------------------------	---

TITLE	Joinery Details External Timber Doors and Windows
-------	--

DRAWING NUMBER	20.08.04.22
----------------	-------------

STATUS	STAGE 4
--------	---------

DRAWN	CHECKED	DATE	SCALE	REVISION
GY	JN	11.07.22	1:20 @ A1	