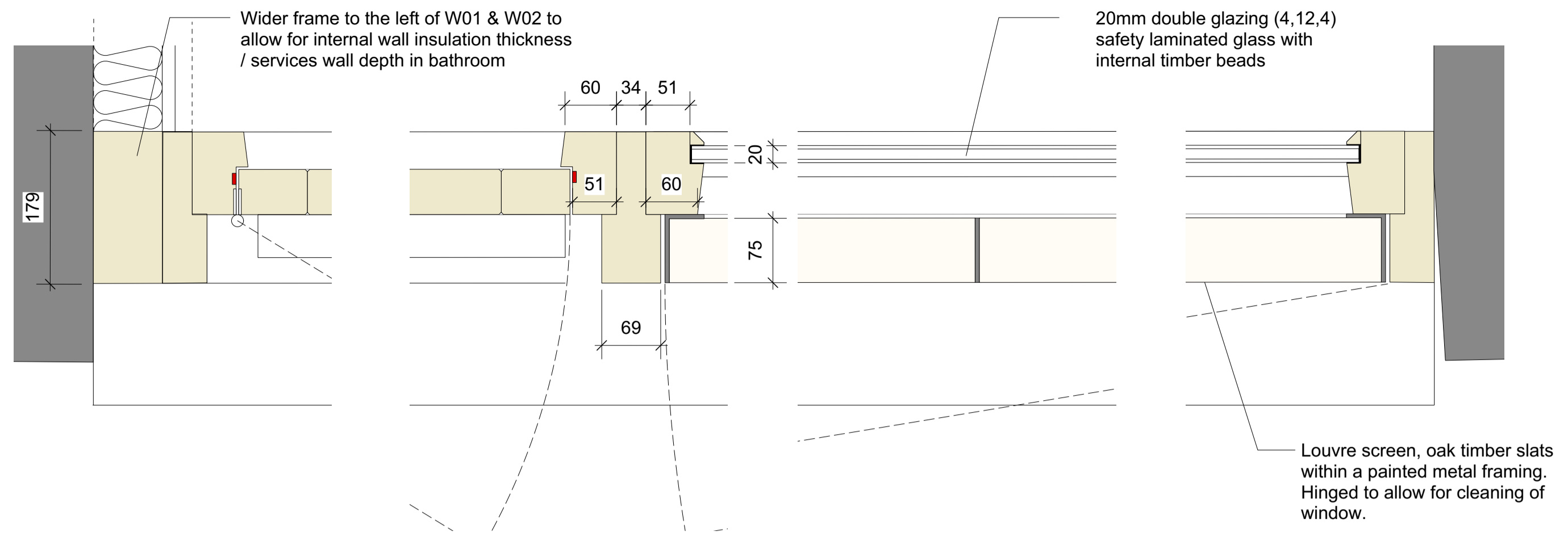
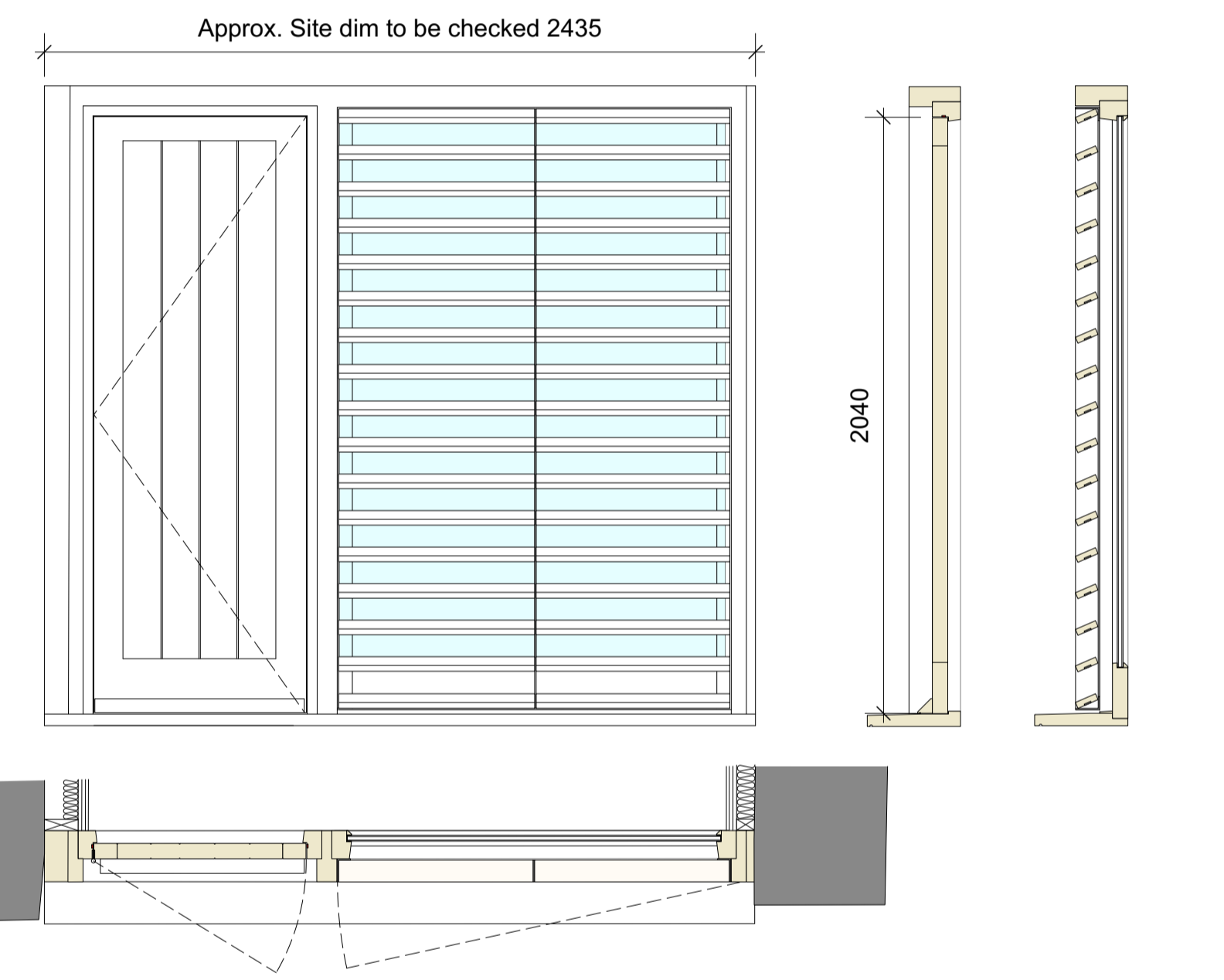


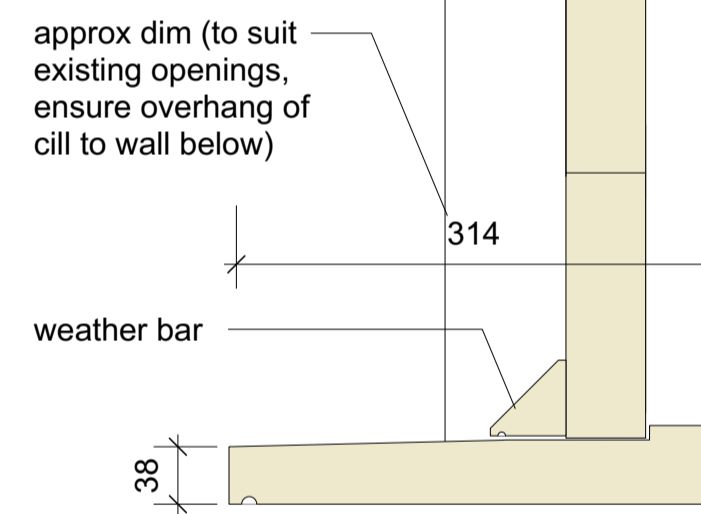
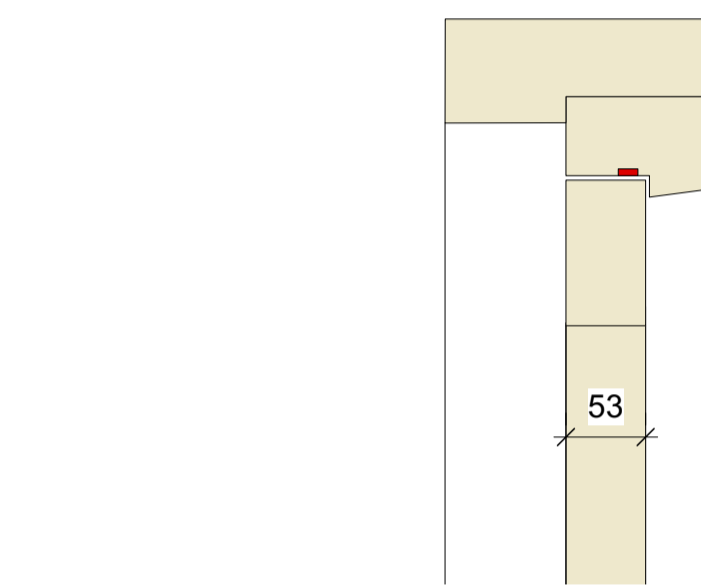
W01 & ED01
Solid timber door and glazed screen with timber louvres 1:20



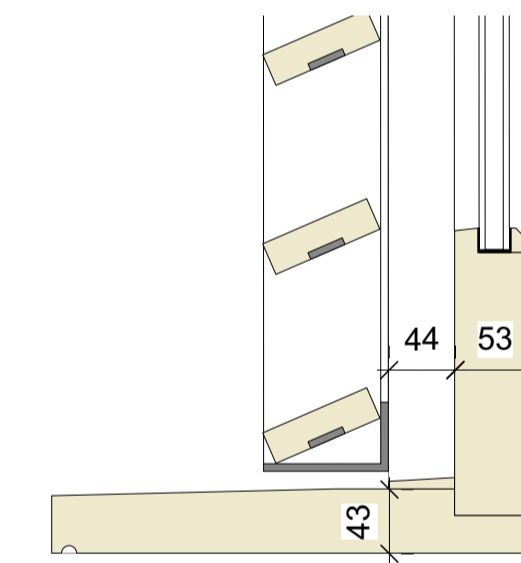
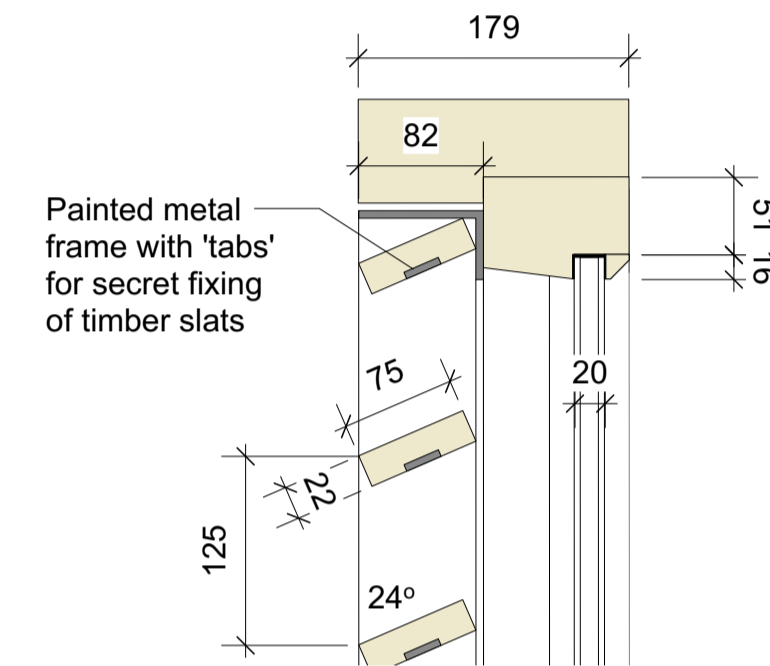
W01 & ED01, W02 & ED02 (W03 & ED03 - same without the louvre screen)
Plan Details 1:5



W02 & ED02
Solid timber door and glazed screen with timber louvres 1:20



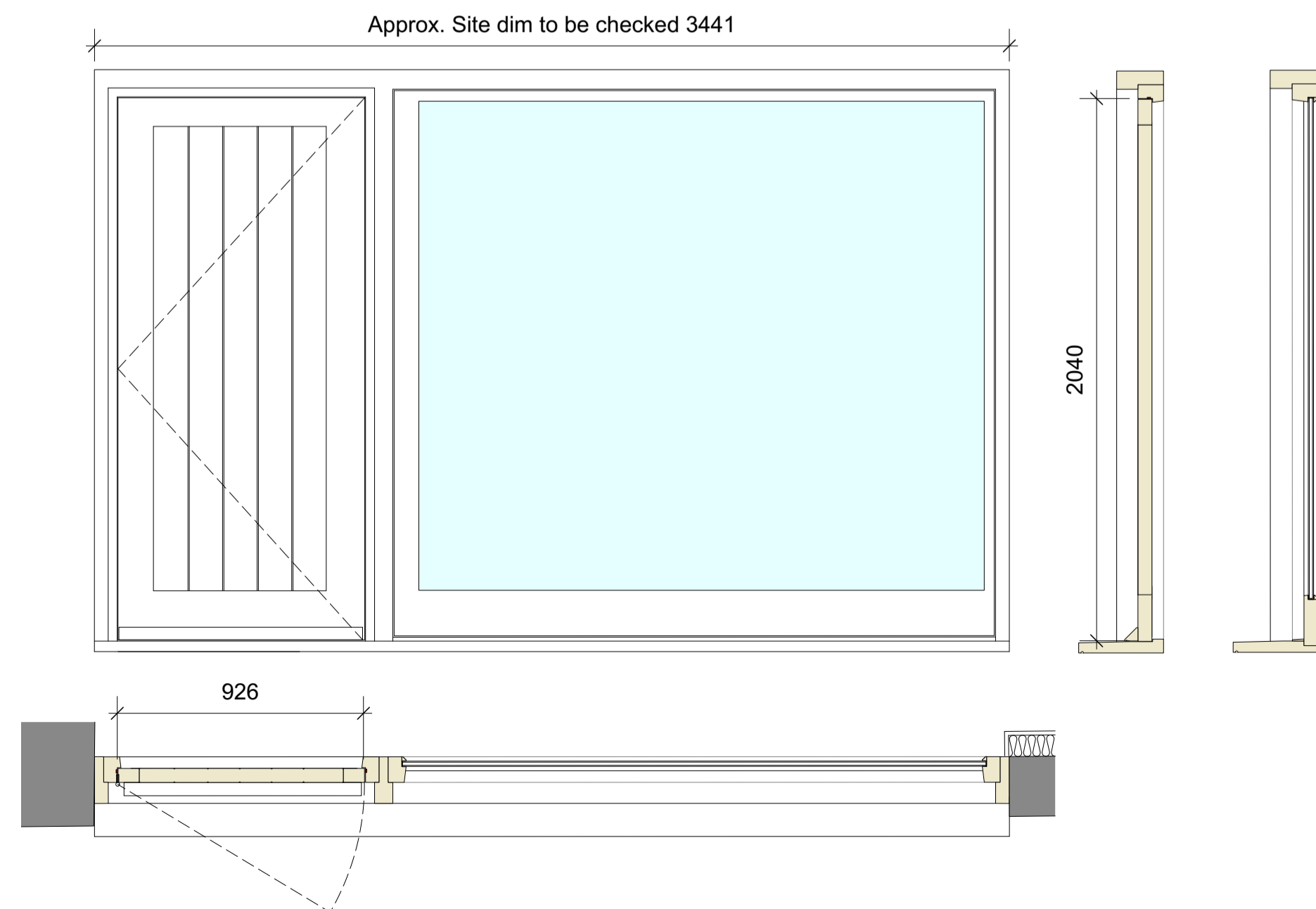
ED01, ED02, ED03
Section Details through door 1:5



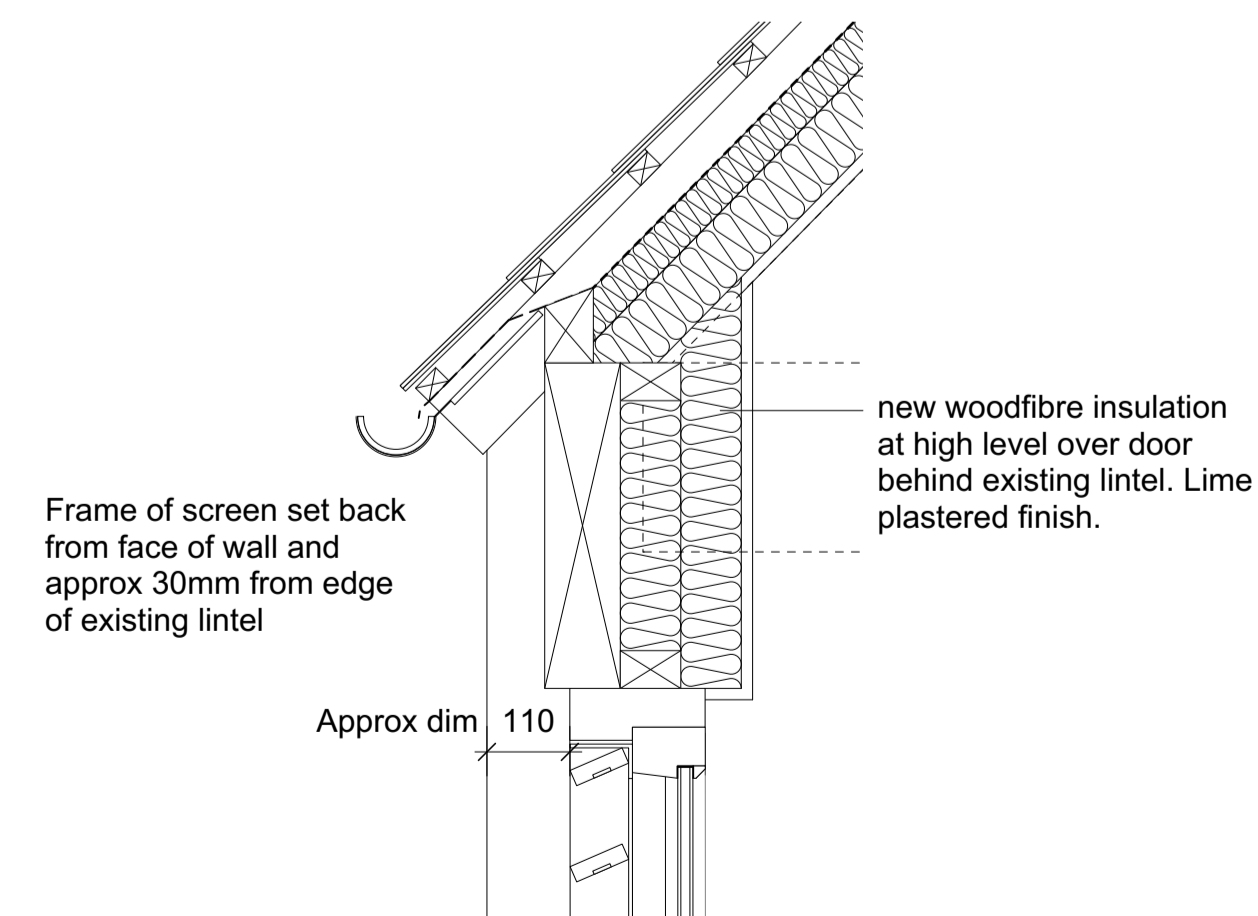
W01, W02 (W03 - same without the louvre screen)
Section Details through window 1:5



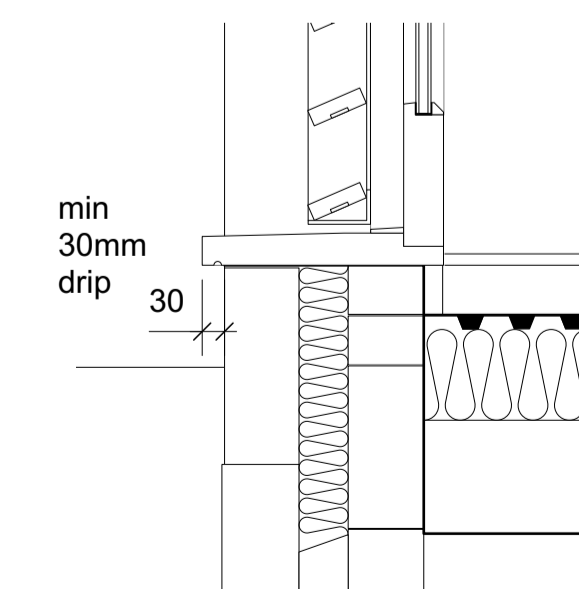
- Notes**
1. This drawing remains copyright of Blake Architects Limited and may not be reproduced or copied without consent in writing.
 2. For construction use figured dimensions.
 3. Any discrepancies between site and drawings to be reported to the architect immediately.
 4. Read in conjunction with all relevant structural and mechanical & electrical engineers drawings.
 5. Survey undertaken by:



W03 & ED03
Solid timber door and glazed screen with timber louvres 1:20



Head of screen in context 1:10



Threshold of screen in context 1:10

REVISIONS	

PROJECT	Crockwell Farm
ADDRESS	Crockwell Barn, Crockwell House Far, Manor Road

BLAKE ARCHITECTS	Blake Architects Limited
	1 Coves Barn, Jackbarrow Rd, Winstone, Gloucestershire, GL7 7JS
	[t] 01285 841407 [e] mail@blakearchitects.co.uk
	www.blakearchitects.co.uk

TITLE	Joinery Details External Timber Glazed Screens and Doors with Louvres
-------	---

DRAWING NUMBER	20.08.04.21
----------------	-------------

STATUS	STAGE 4
--------	---------

DRAWN	CHECKED	DATE	SCALE	REVISION
GY	JN	11.07.22	1:20 @ A1	