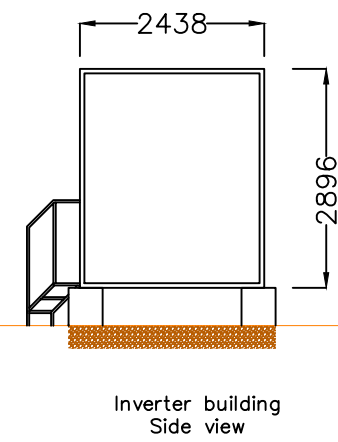
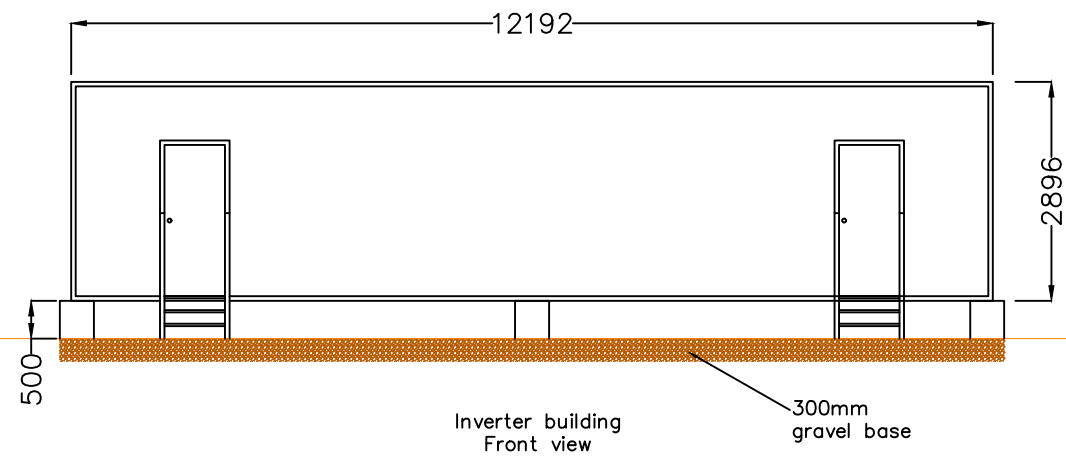
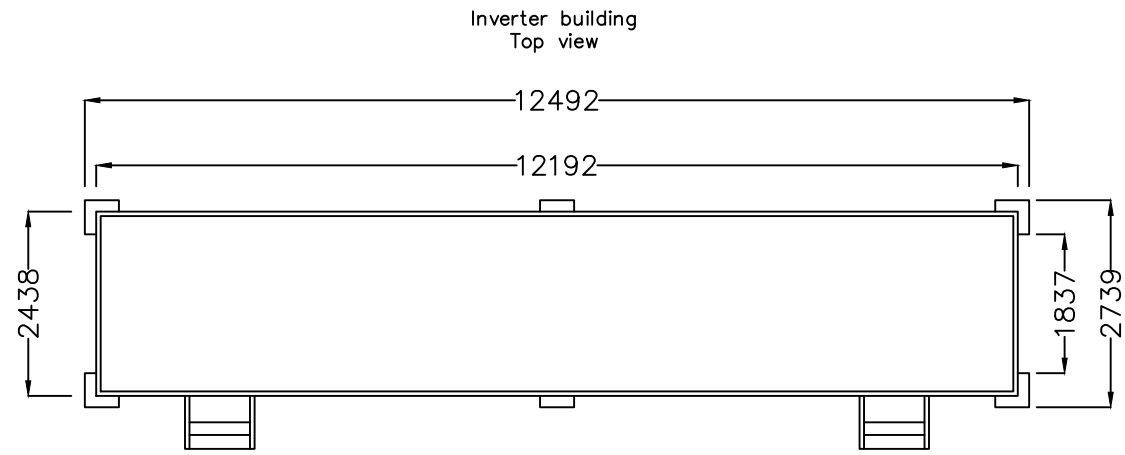


REVISIONS:
- Initial design

NOTES:
-



SCALE A3 @ 1:100
0 1000 2000 3000 4000 5000



TITLE:
Inverter Station Details
REV: A
FILENAME: Inverter Building.dwg