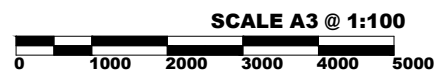
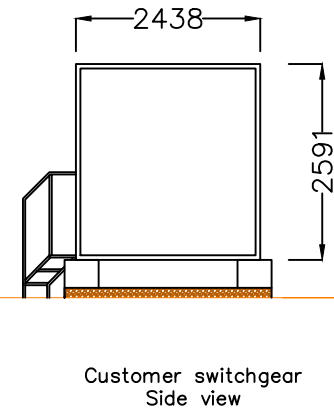
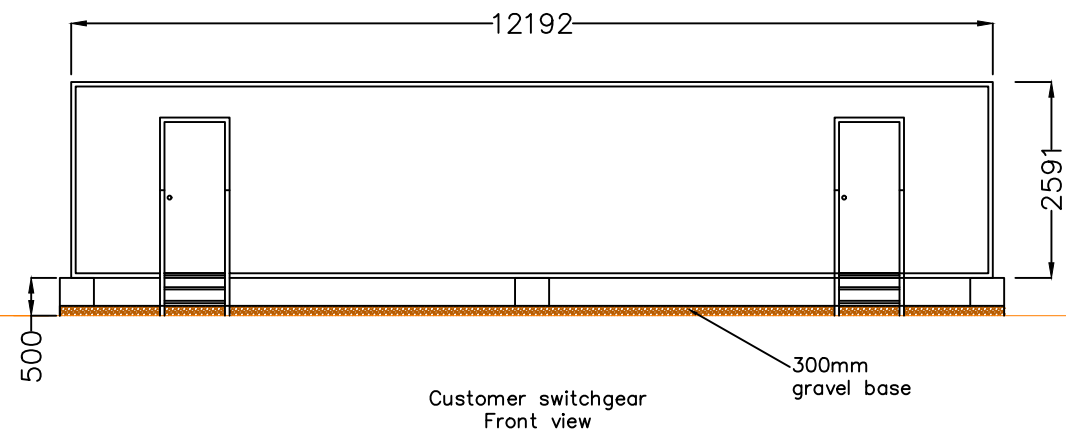
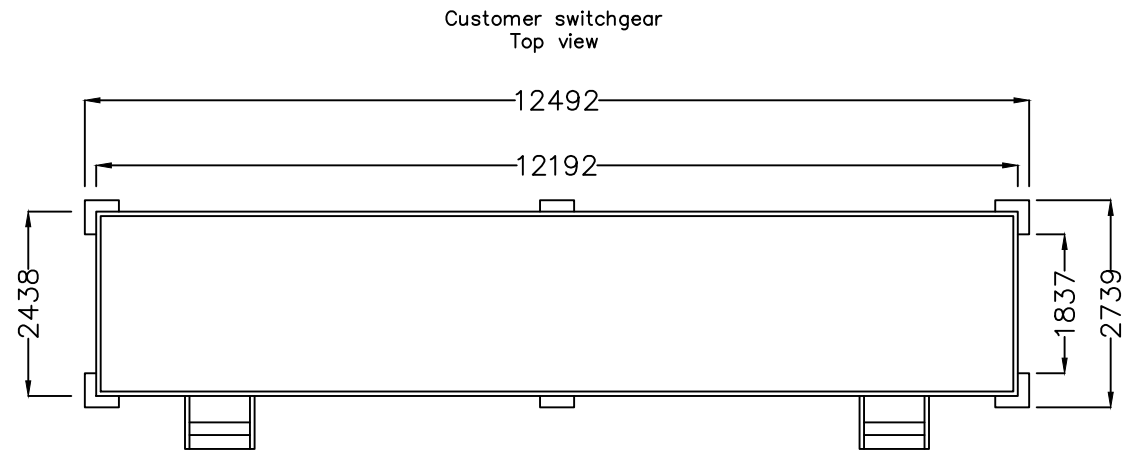


REVISIONS:
- Initial design

NOTES:
-



TITLE:
Customer Switchgear
Details

REV: A

FILENAME: Customer Switchgear.dwg