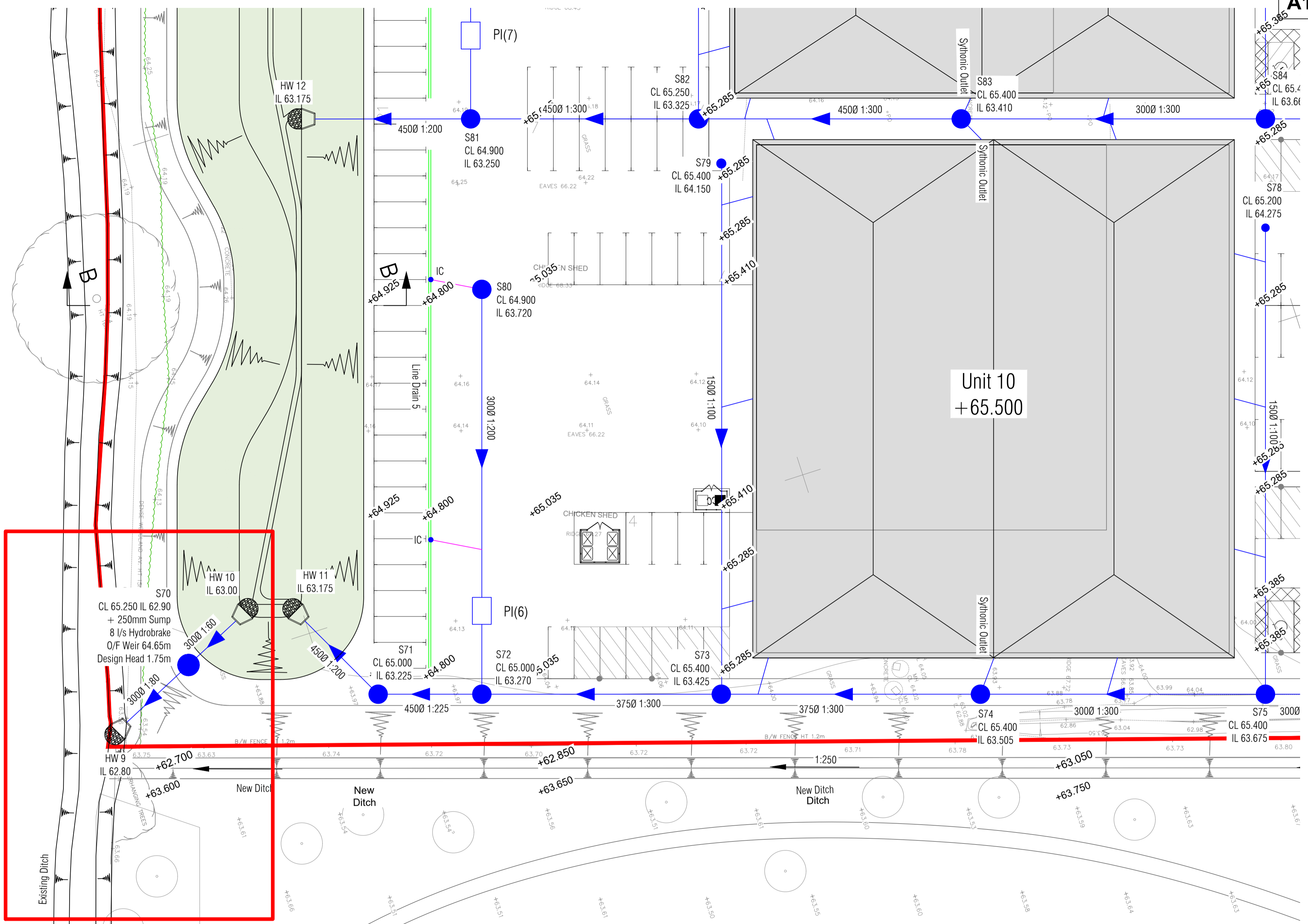
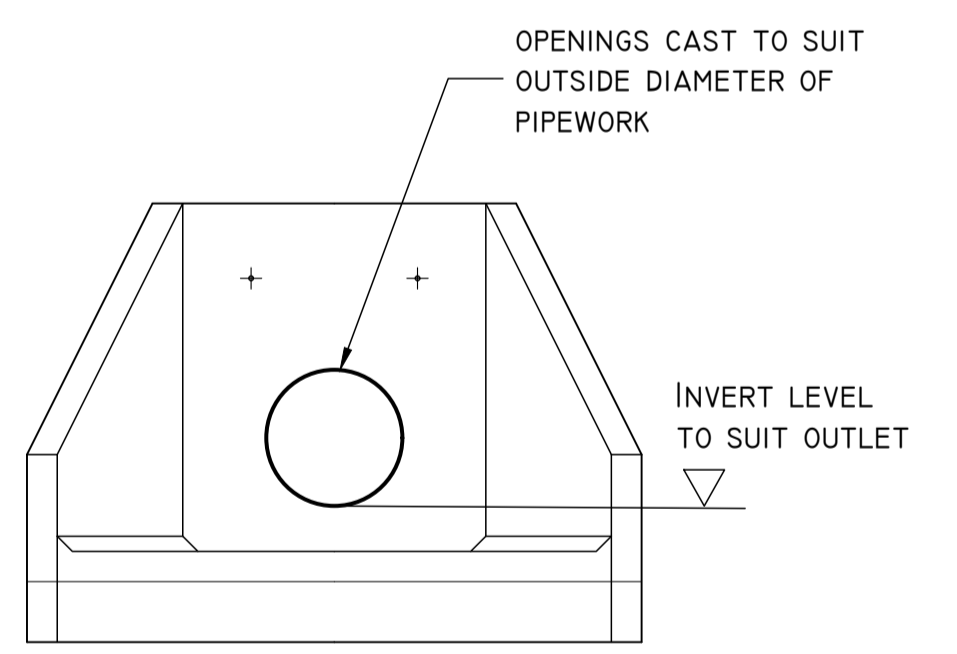


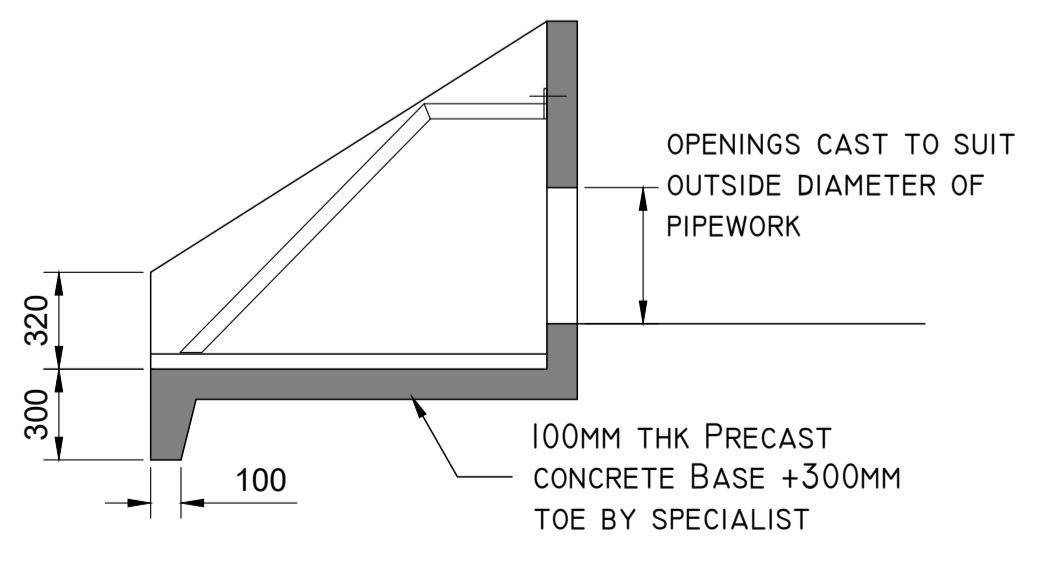
Plan on Outlet 1:100



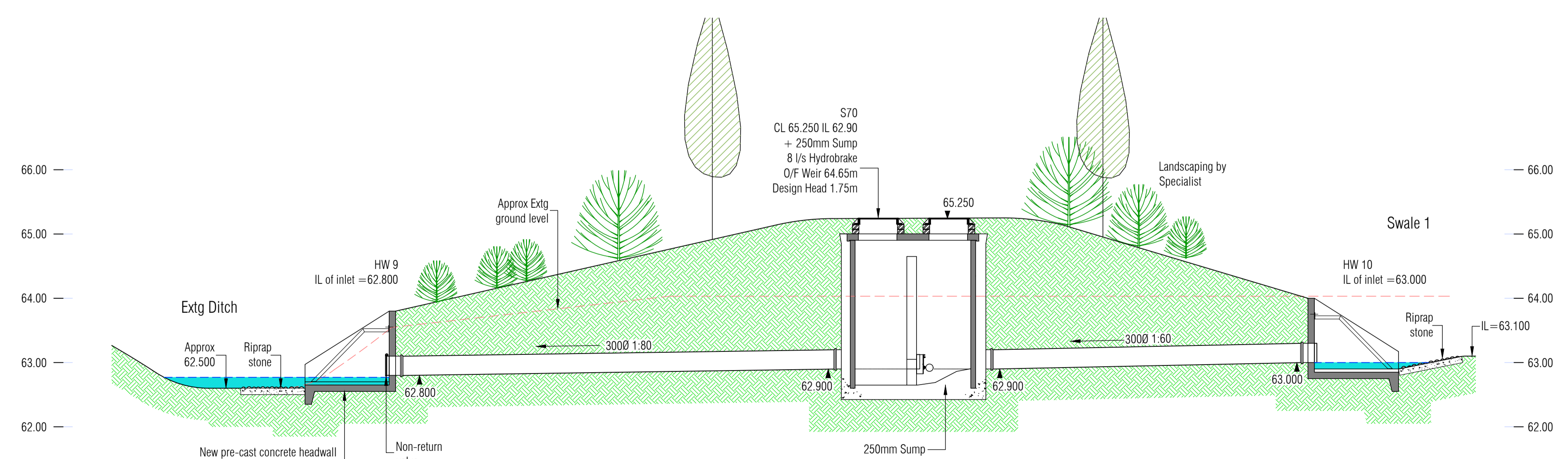
Part Site Plan showing discharge outlet location 1:250



Precast Concrete Headwall 1:25



Cross Section 1:25



Section A-A showing Outlet into Extg Ditch 1:50

TOWN PLANNING

Rev	Date	Revision Description
Revision Schedule		
Project Title Catalyst Bicester Wendlebury Road, Bicester		
Client ALBION LAND		
Drawing Title PHASE 3 Outlet Details		
BAILEY JOHNSON HAYES Consulting Engineers <small>ST ALBANS: Suite 4, Phoenix House, 63 Campfield Rd, ST ALBANS, Herts AL1 5FL MANCHESTER: Grange House, John Dalton Street, MANCHESTER, M2 6FW</small>		
Scale	1:100.50 @A1	Drawing Number
Date	30.01.23	S1358-PH3-19
Drawn	DC	