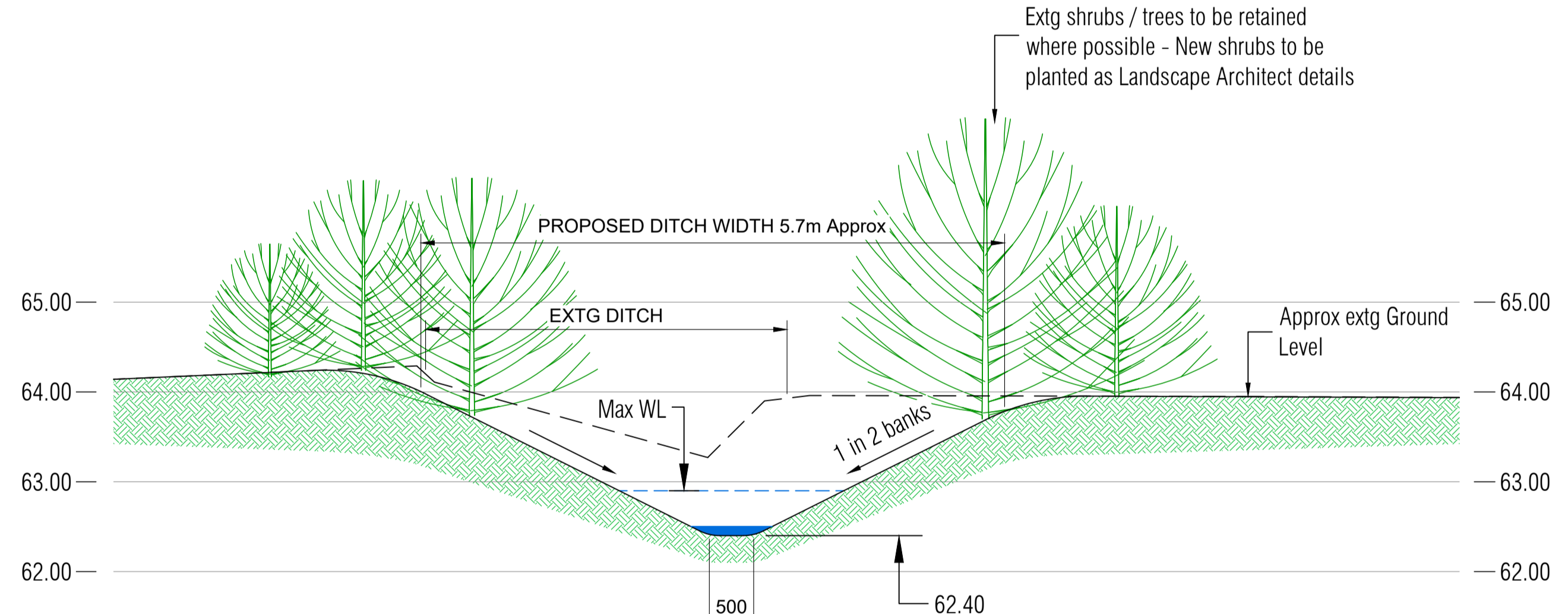
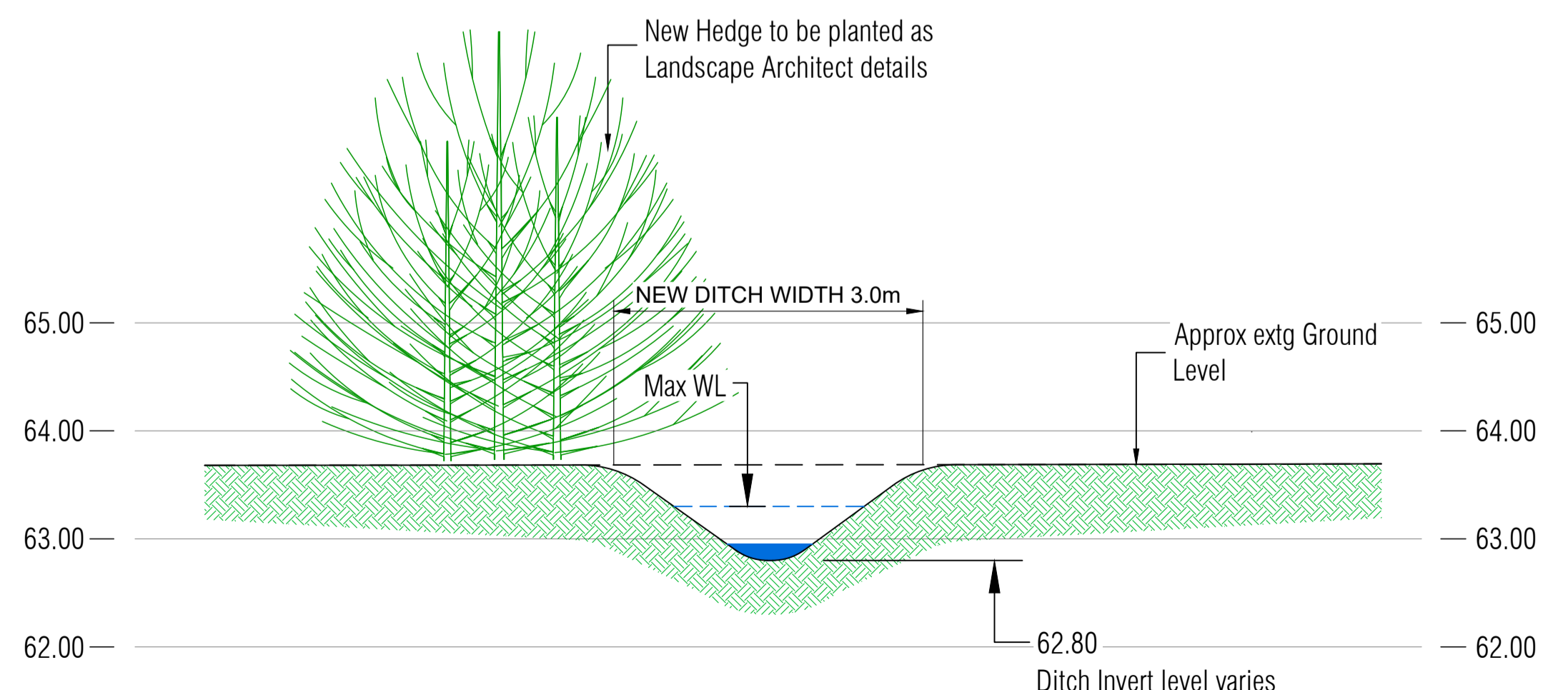


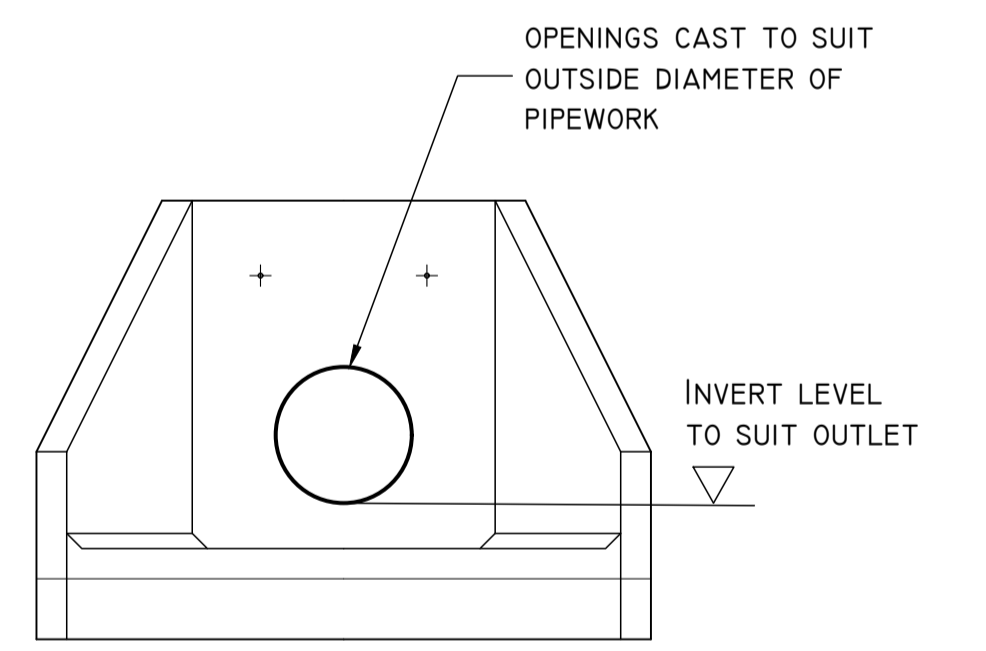
Part Site Plan 1:500



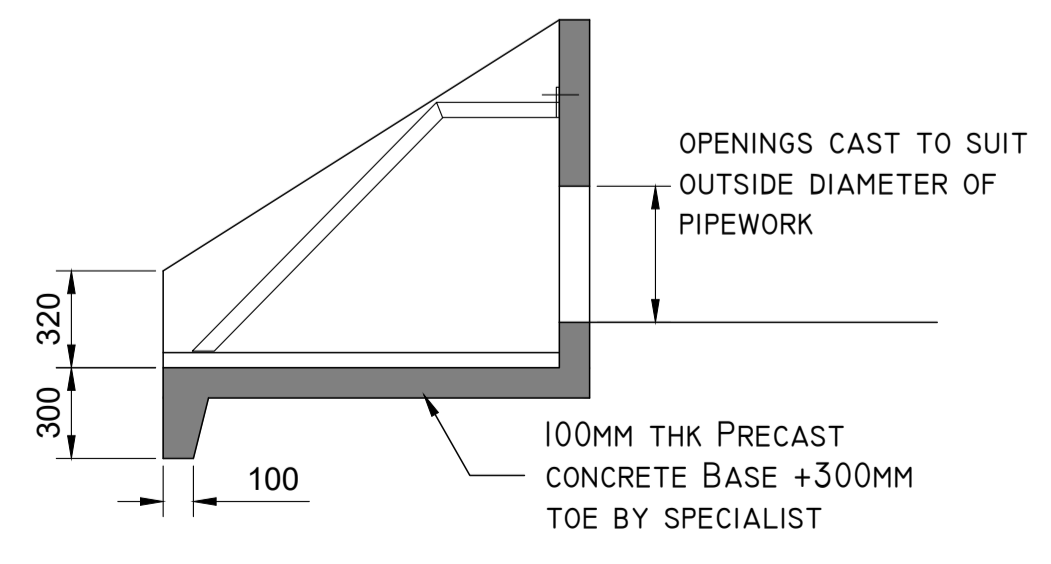
Typical Section A-A 1:50



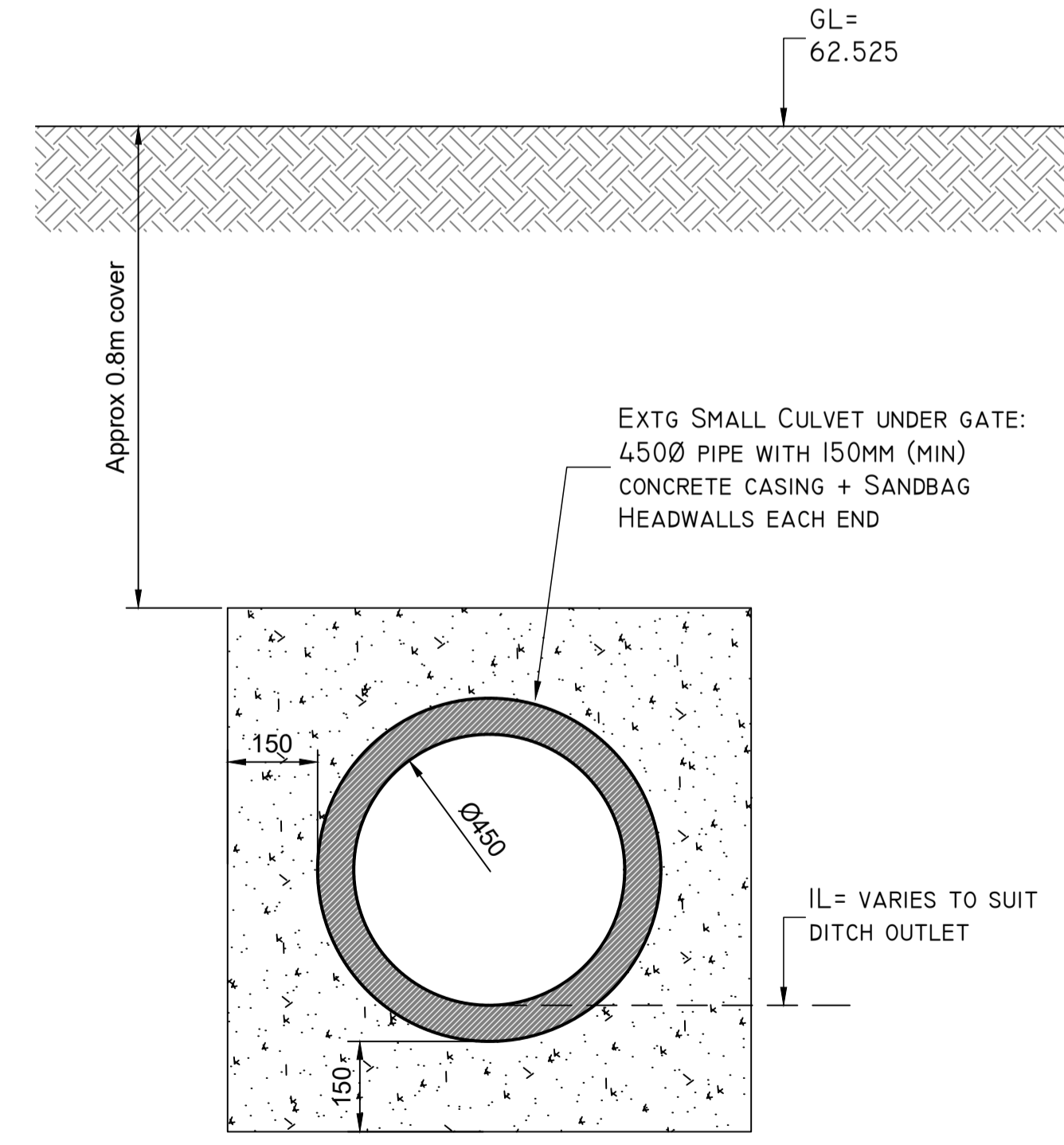
Typical Section B-B 1:50



Extg Precast Headwall 1:25



Cross Section 1:25



Existing Culvert 1:25

TOWN PLANNING

Rev	Date	Revision Description

Revision Schedule

Project Title
Catalyst Bicester
Wendlebury Road, Bicester



Drawing Title
PHASE 2
Renewed Ditch Details

BAILEY JOHNSON HAYES
Consulting Engineers

ST ALBANS: Suite 4, Phoenix House, 63 Campfield Rd, ST ALBANS, Herts AL1 5FL
MANCHESTER: Grange House, John Dalton Street, MANCHESTER, M2 6FW

Scale 1:50,25 @A1	Drawing Number S1358-PH2-22
Date 17.01.23	
Drawn DC	